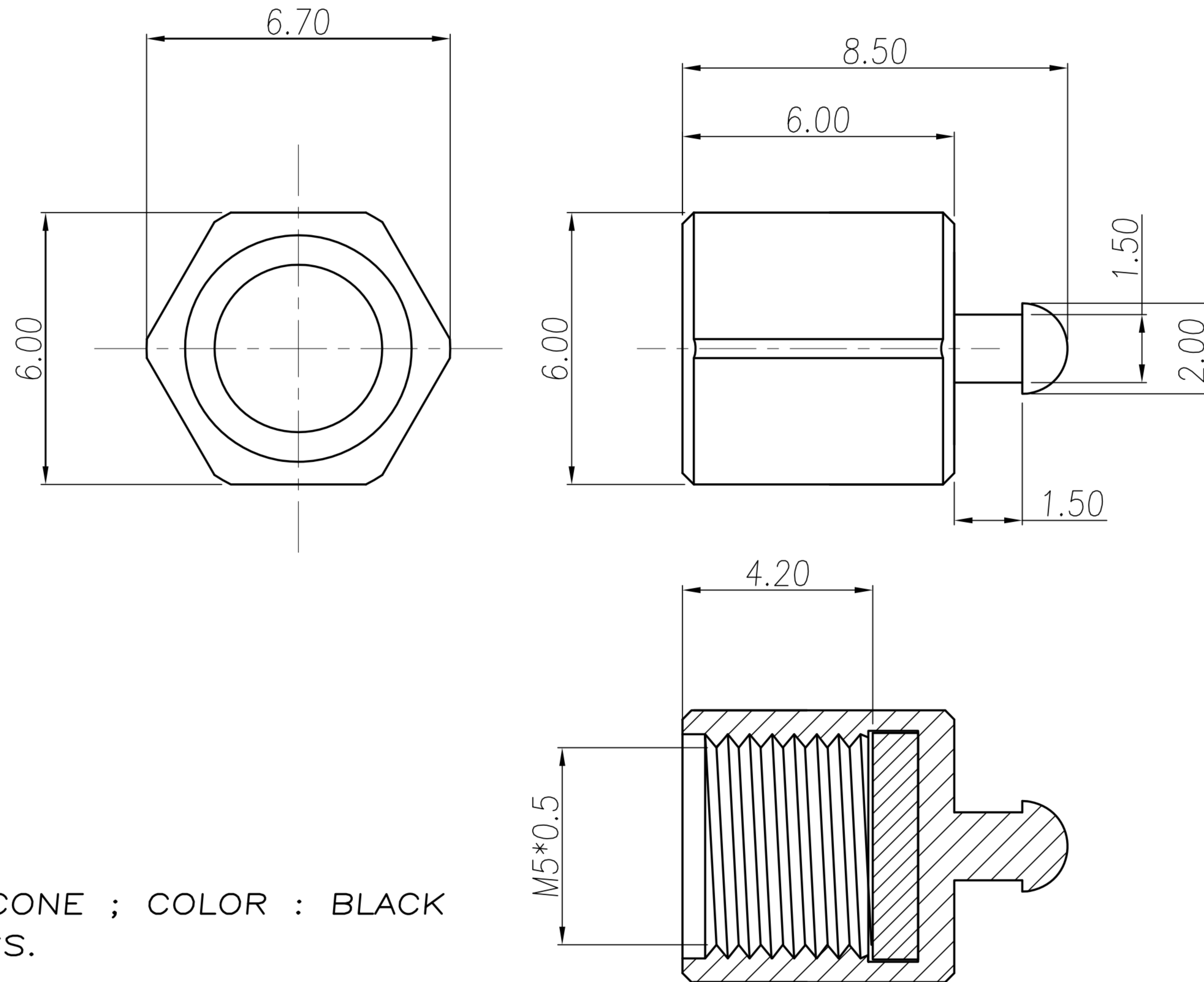


CUSTOMER DRAWING

REV.	DESCRIPTION	APPROVED BY	DATE	ECN NO.
A	RELEASE	Fido Weng	04/08/09'	
B				
C				



1. MATERIAL :
 - 1-1. RING : SILICONE ; COLOR : BLACK
 - 1-2. NUT : BRASS.
2. FINISH :
 - 2-2. NUT : BLACK NICKEL PLATED.

DRAWN	Ku Chou	APP'D	Emily Suen	UNIT	mm	TOLERANCE		广东科斯达电子科技有限公司 GUANG DONG KE SI DA ELECTRONIC TECHNOLOGY CO., LTD.	TITLE	M5防塵蓋六角螺母(黑鍊)			SHEET	1
CHK'D	Emily Suen			SCALE	1:1	.x ±0.10 .xx ±0.05 .xxx ±0.03 .xxxx ±0.01 ANGULA ±1°			PART NO.	NY-WP572-11	DWG NO.	QC6303	VERSION	A