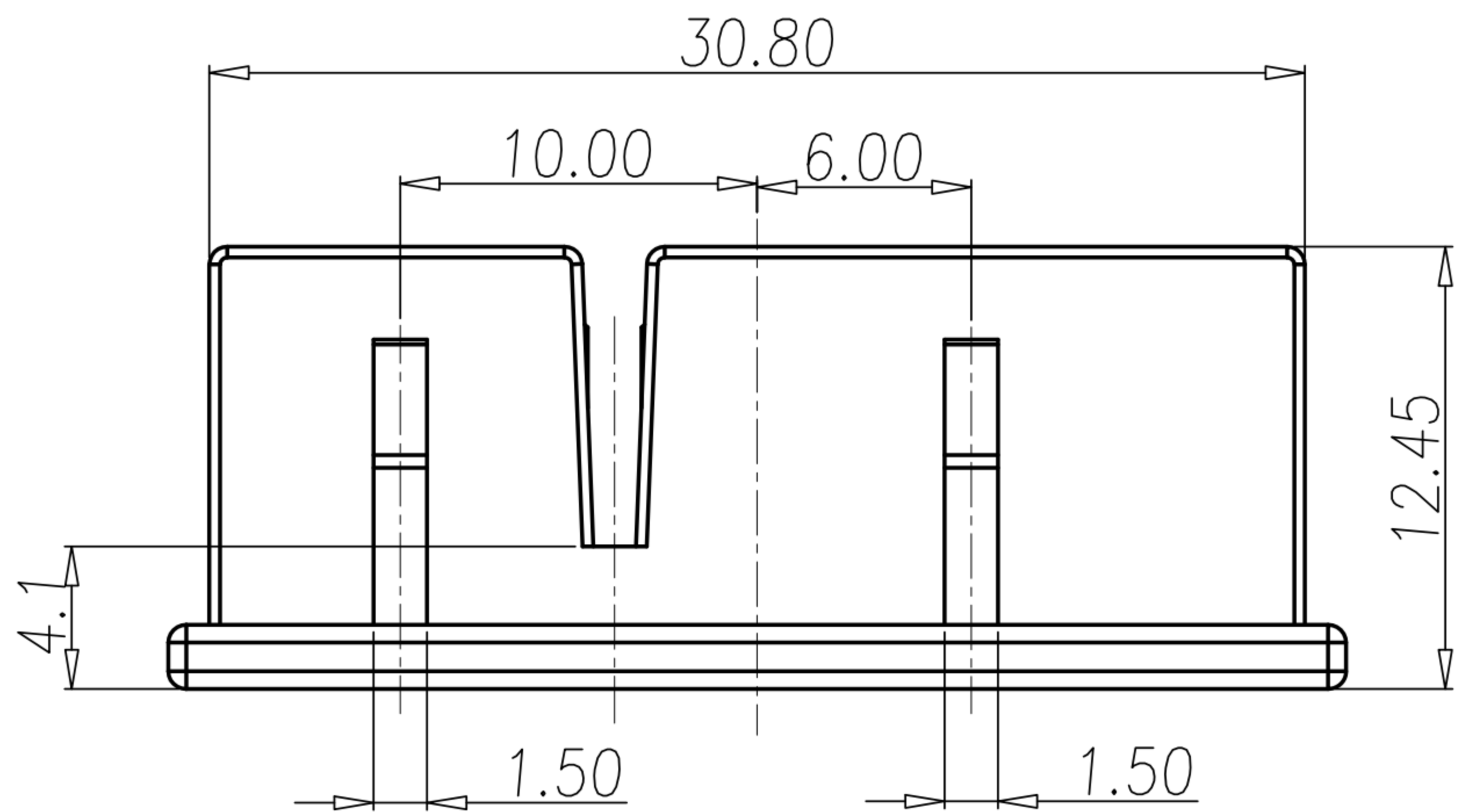
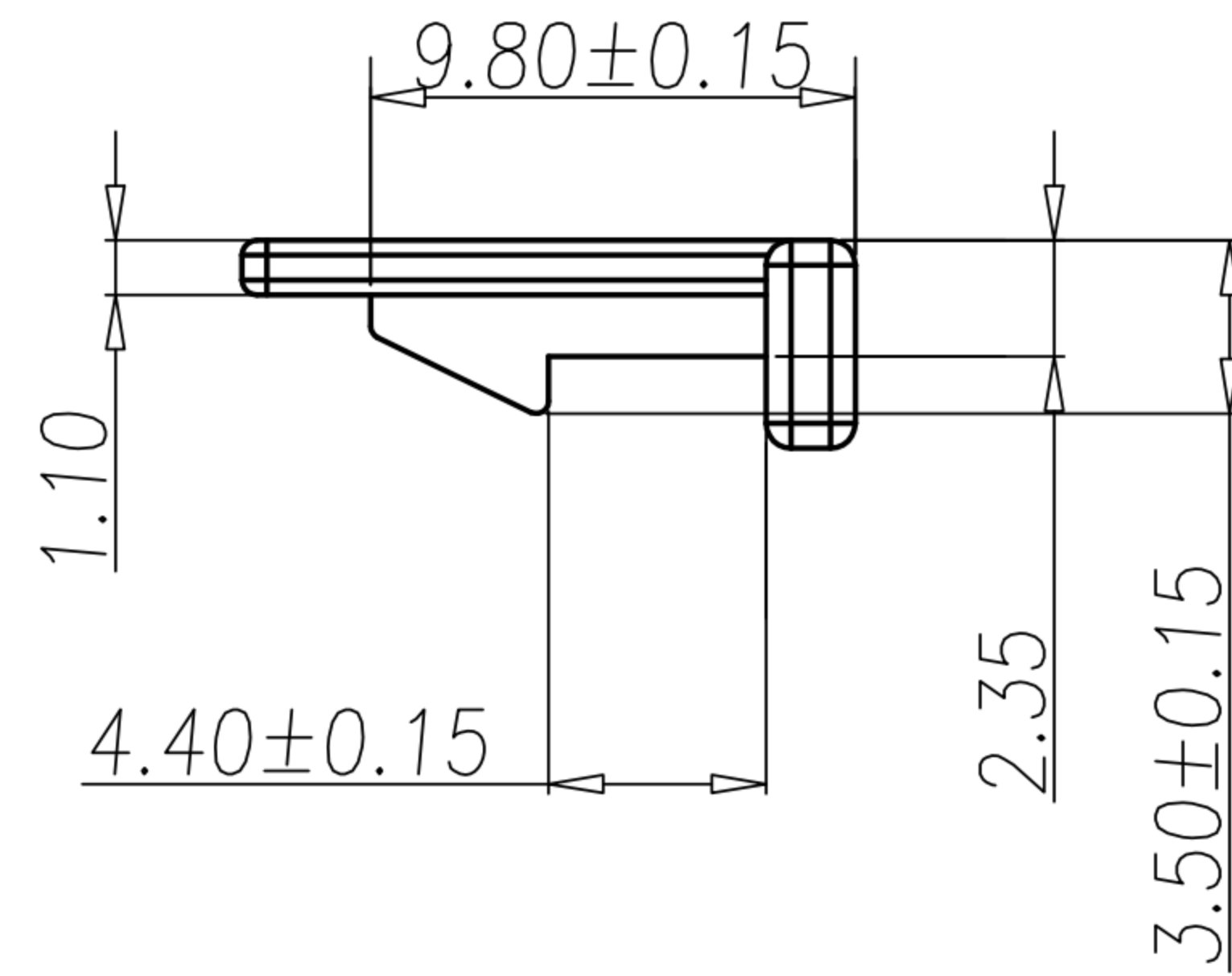
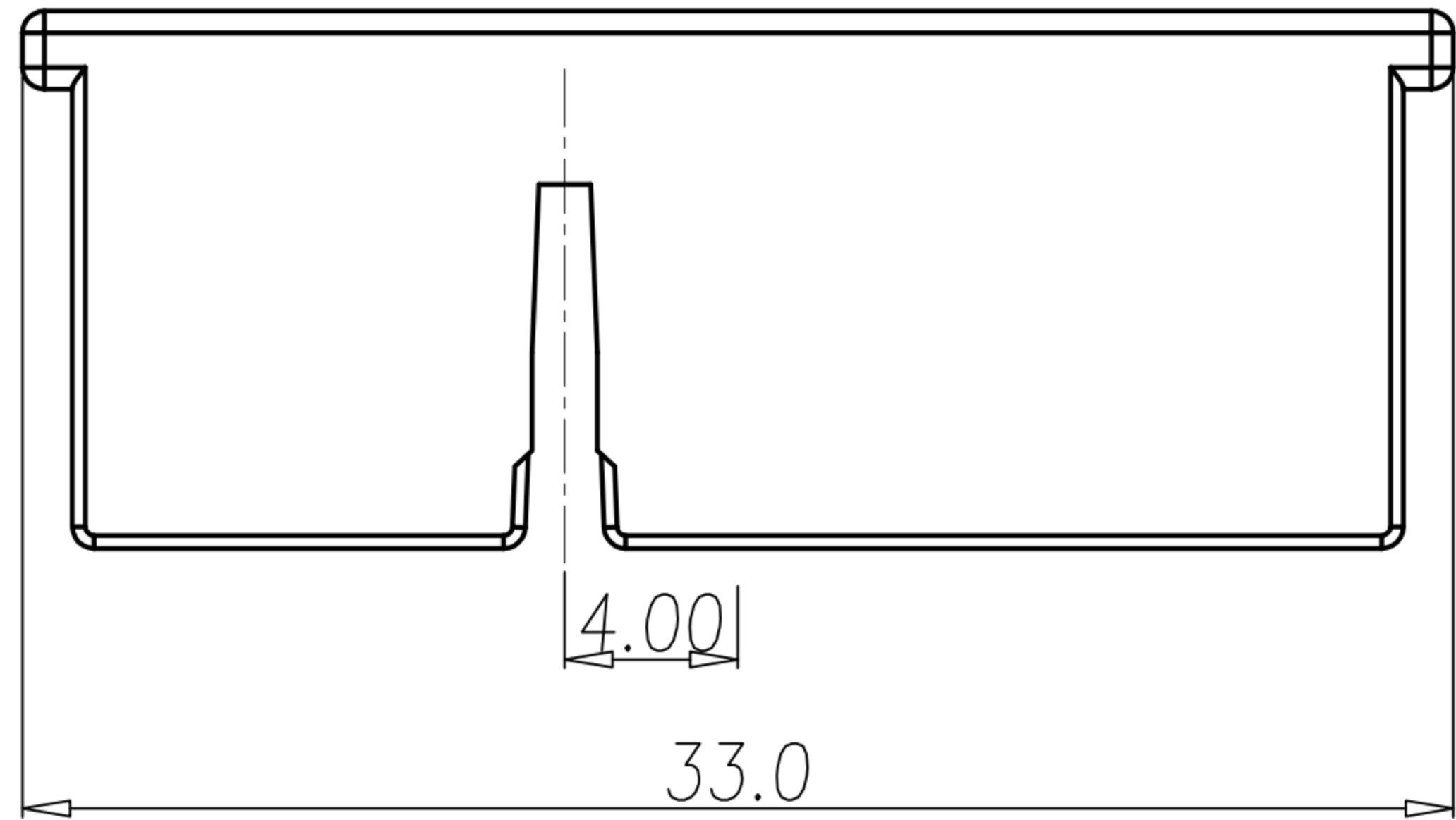


CUSTOMER DRAWING

REV.	DESCRIPTION	APPVL. BY	DATE	ECN NO.
A	RELEASE	Fido Weng	09/01/08*	
B				
C				



1. MATERIAL :
1-1.LATCH COVER : NYLON 66+15%GF ; COLOR : NATURE BLUE.

DRAW	Ku Chou	APPVL	Emily Suen	UNIT	mm	TOLERANCE		广东科斯达电子科技有限公司 GUANG DONG KE SI DA ELECTRONIC TECHNOLOGY CO., LTD.	TITLE	OBD2 16POS RECEPTACLE,LATCH COVER			SHEET	1
CHECK	Emily Suen			SCALE	1:1	.x ±0.10 .xx ±0.05 .xxx ±0.03 .xxxx ±0.01 ANGULA ±1°			PART NO.	ON-TE0161	DWG NO.	QC3793	VERSION	A