

CUSTOMER DRAWING

REV.	DESCRIPTION	APPVL. BY	DATE	ECN NO.
△A	RELEASE	Ku Chou	03/01/19'	
△B				
△C				

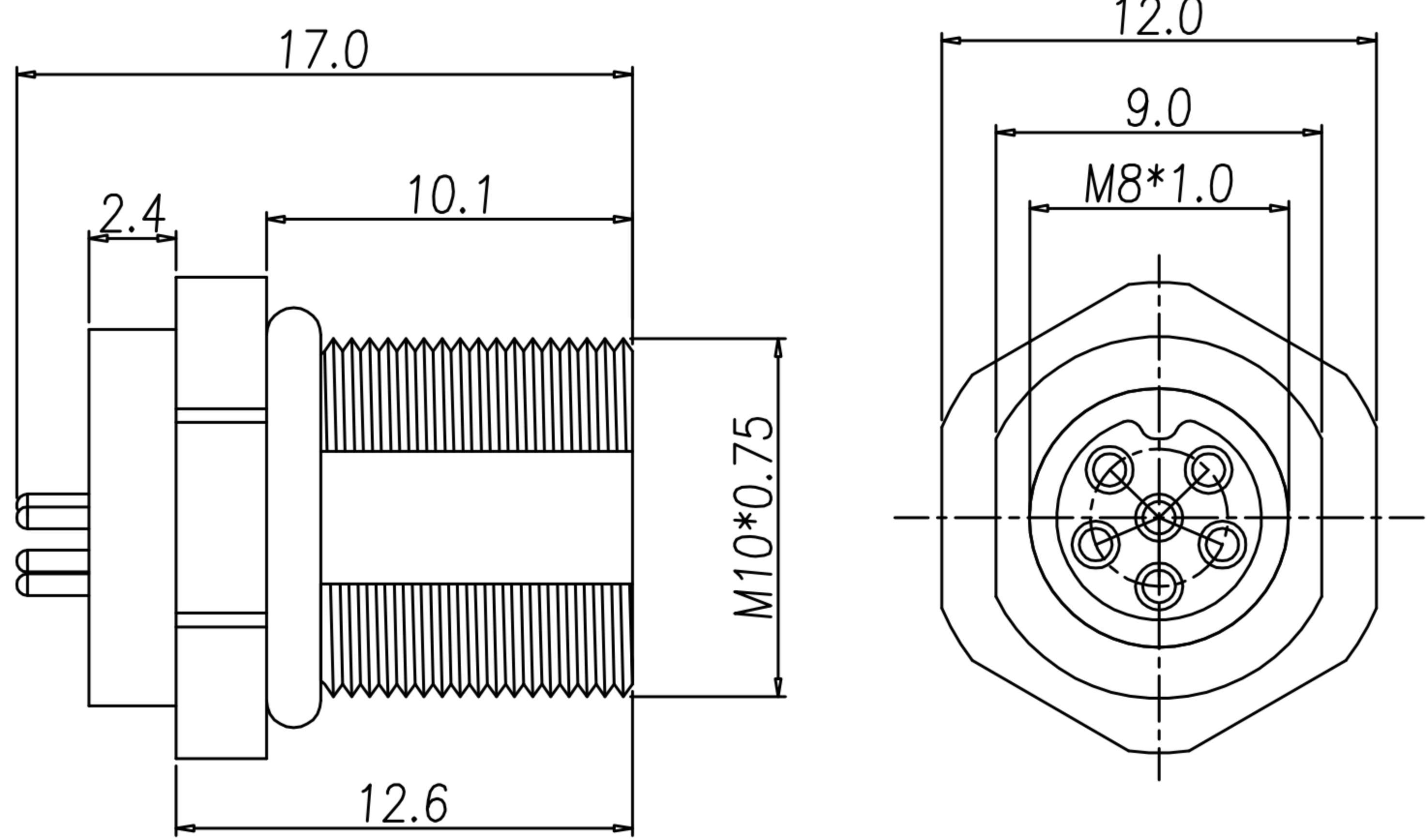
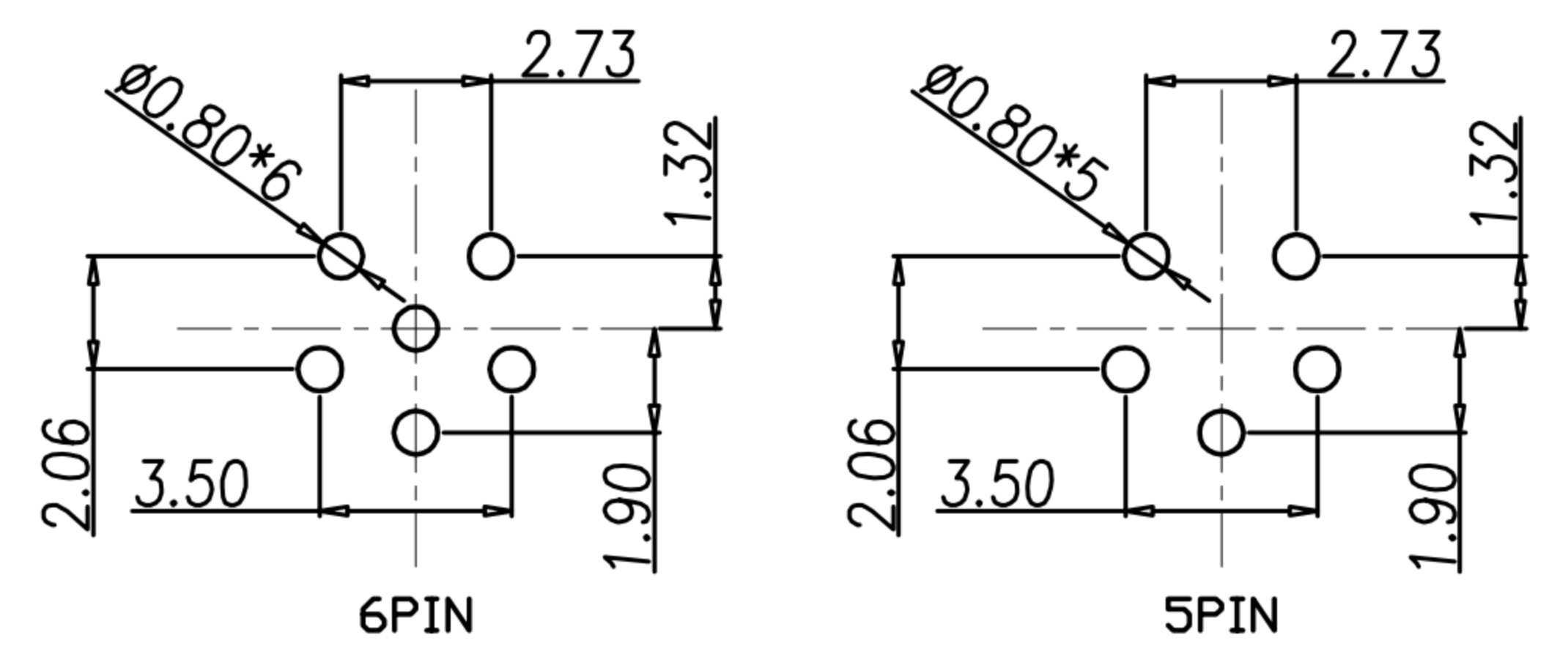


TABLE A

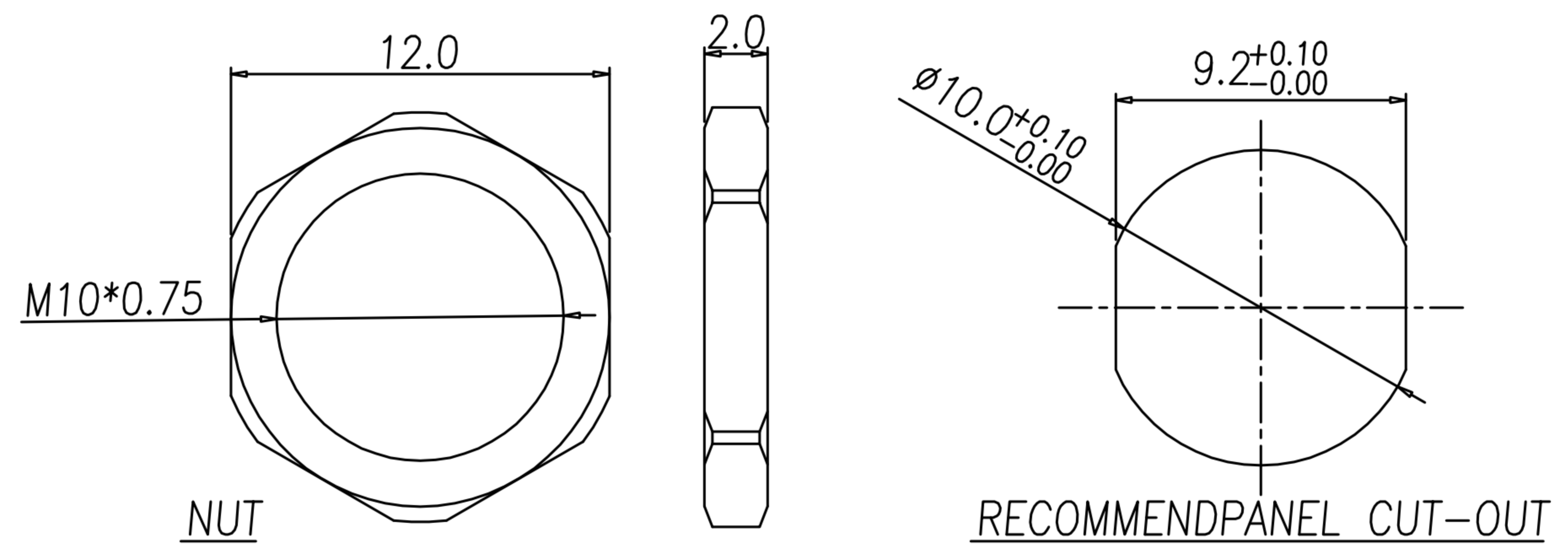
6PIN		5PIN	
WP-06F3-02-11	WP-05F3-07-11		
WP-06F3-03-11	WP-05F3-09-11		
WP-06F3-02-11	GOLD FLASH	WP-06F3-03-11	GOLD 10u"
WP-05F3-07-11	GOLD FLASH	WP-05F3-09-11	GOLD 10u"
PART No.	FINISH	PART No.	FINISH



RECOMMEND P.C.B LAYOUT

NOTE:

- MATERIAL :
 - 1-1. HOUSING : PA66 UL94V-0 ; COLOR : BLACK
 - 1-2. CONTACT : BRASS.
 - 1-3. SHELL : BRASS.
 - 1-4. NUT : BRASS.
 - 1-5. O-RING : EPDM ; COLOR : BLACK
- FINISH :
 - 2-1. CONTACT : SEE TABLE A
 - 2-2. SHELL : NICKEL PLATED.
 - 2-3. NUT : NICKEL PLATED.
- ELECTRICAL SPECIFICATION :
 - 3-1. Rated current : 1.5A
 - 3-2. Rated Voltage : 30V
 - 3-3. Water proof : IP67
- Environmental :
 - 4-1. Operation Temperature : -40℃~105℃



DRAWN	Emily Suen	APP'D	Ku Chou	UNIT	mm	TOLERANCE			TITLE	M8 (F) 前鎖M10*0.75 DIP式			SHEET	
CHK'D	Ku Chou			SCALE	1:1	.x ±0.20 .xx ±0.10 .xxx ±0.05 .xxxx ±0.03 ANGULA ±1°			PART NO.	SEE TABLE A	DWG NO.	QC9407	VERSION	