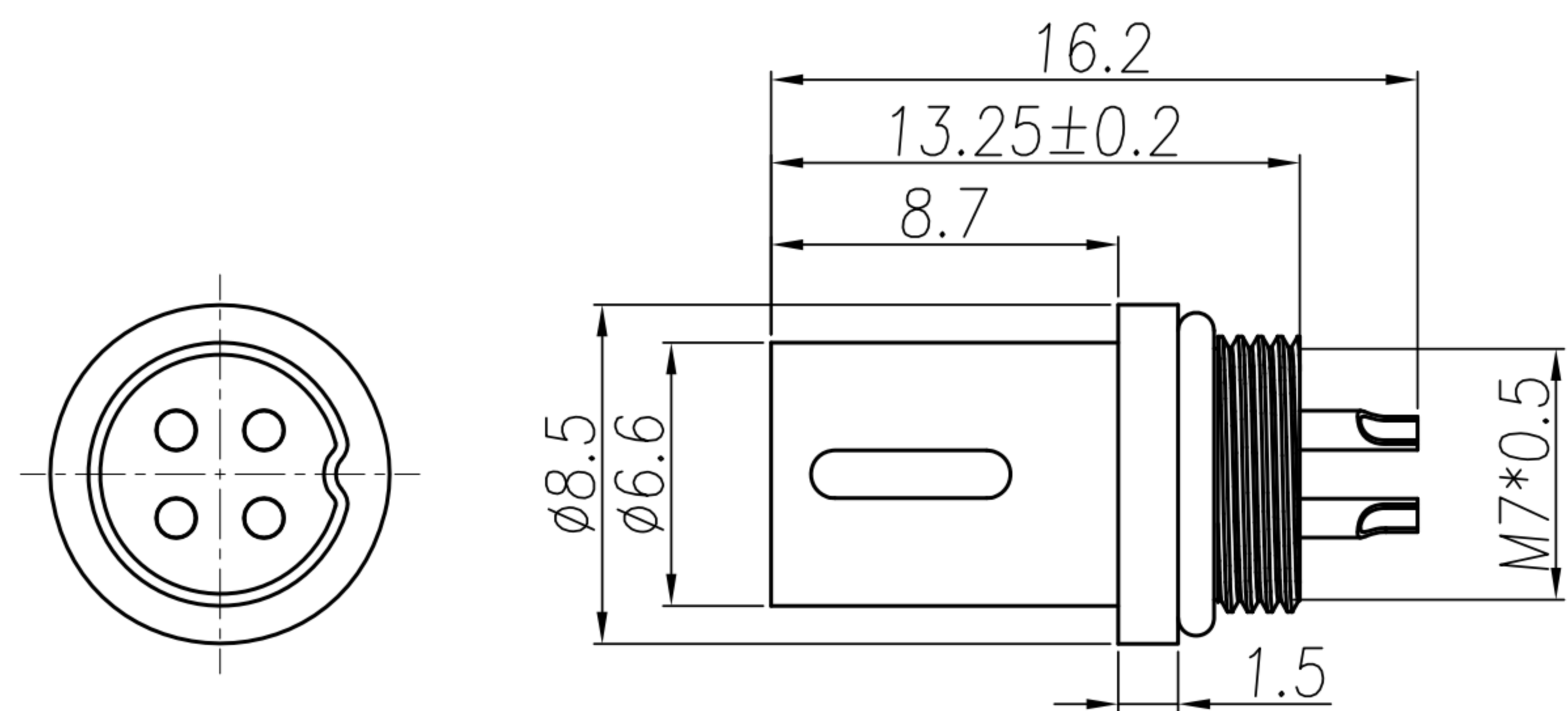
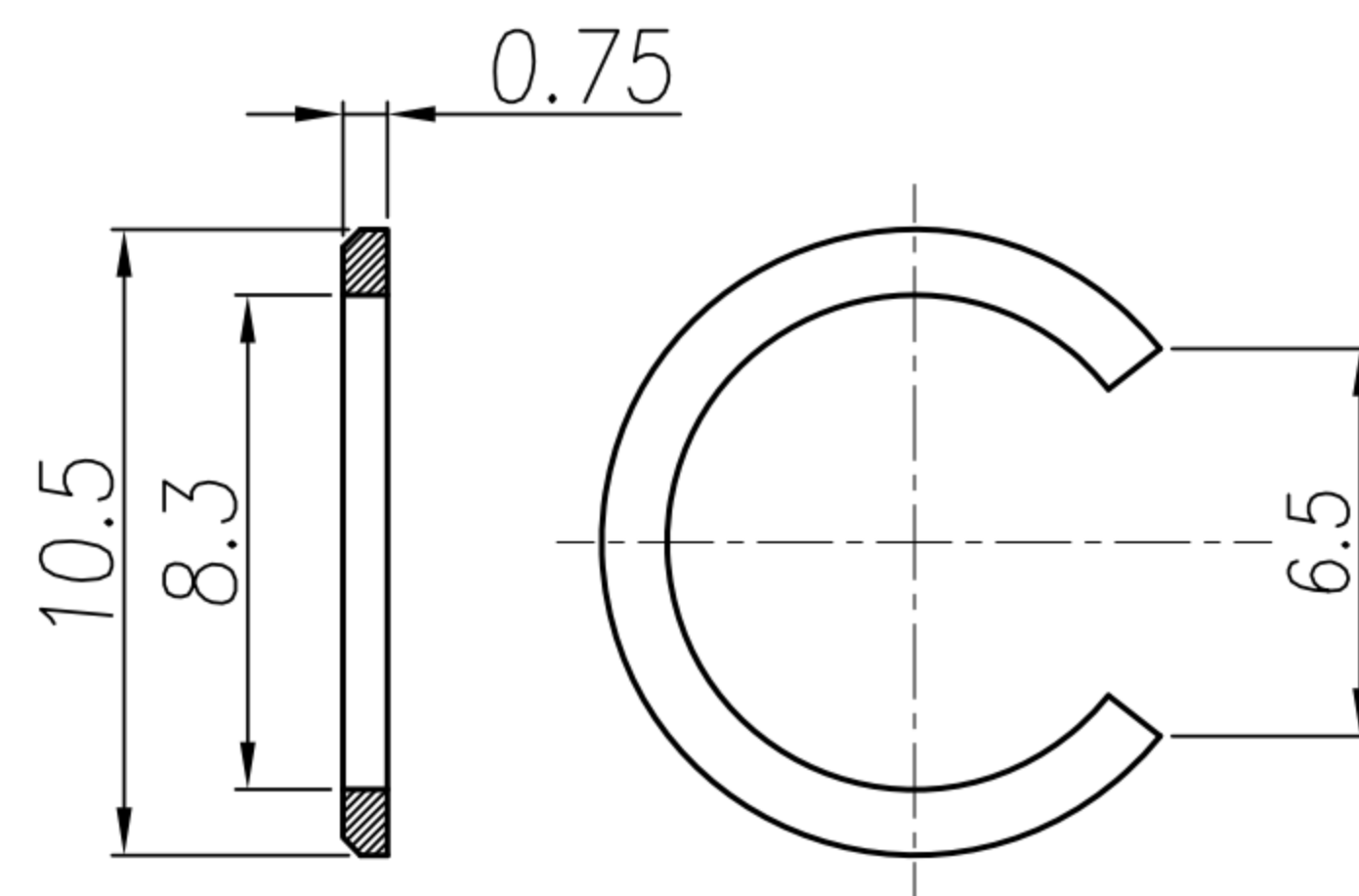


CUSTOMER DRAWING

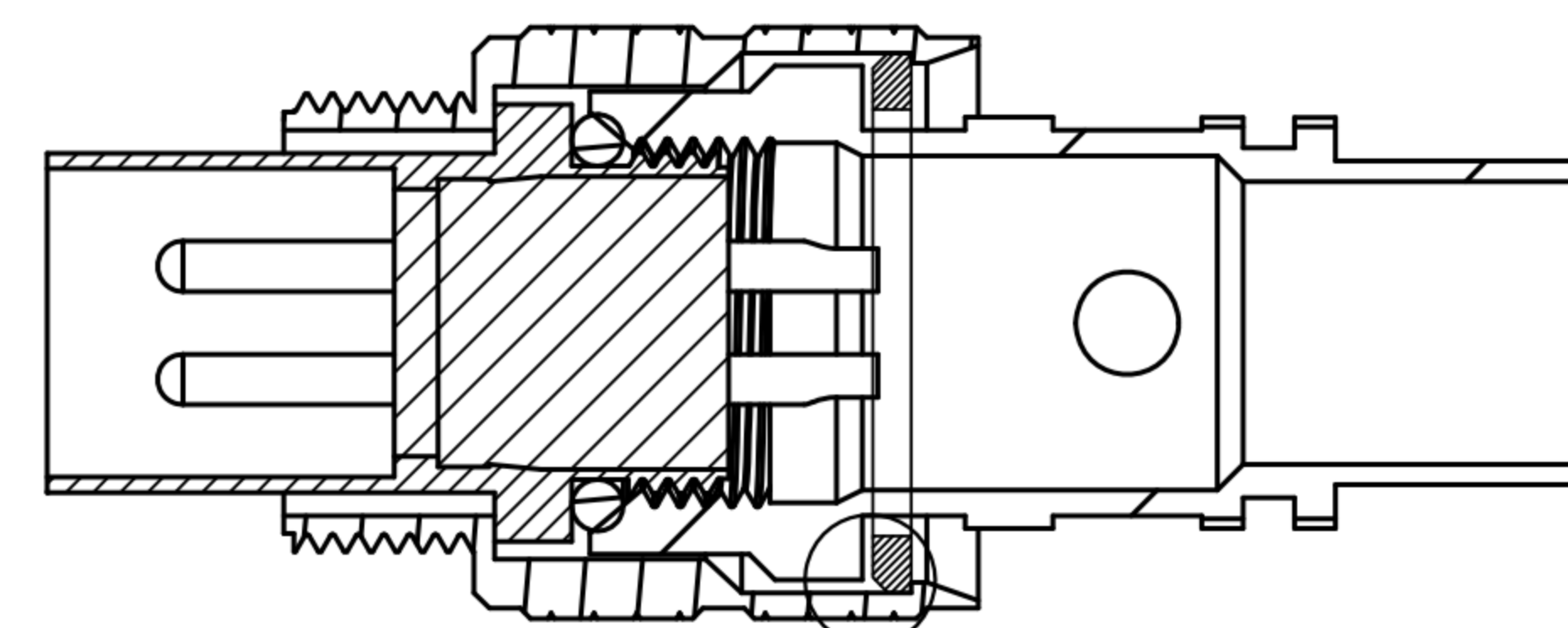
| REV. | DESCRIPTION | APPROVED BY | DATE | ECN NO. |
|------|-------------|-------------|-----------|---------|
| A | RELEASE | LEO | 11/11/21* | |
| B | | | | |
| C | | | | |
| D | | | | |



HOUSING & SHELL & CONTACT

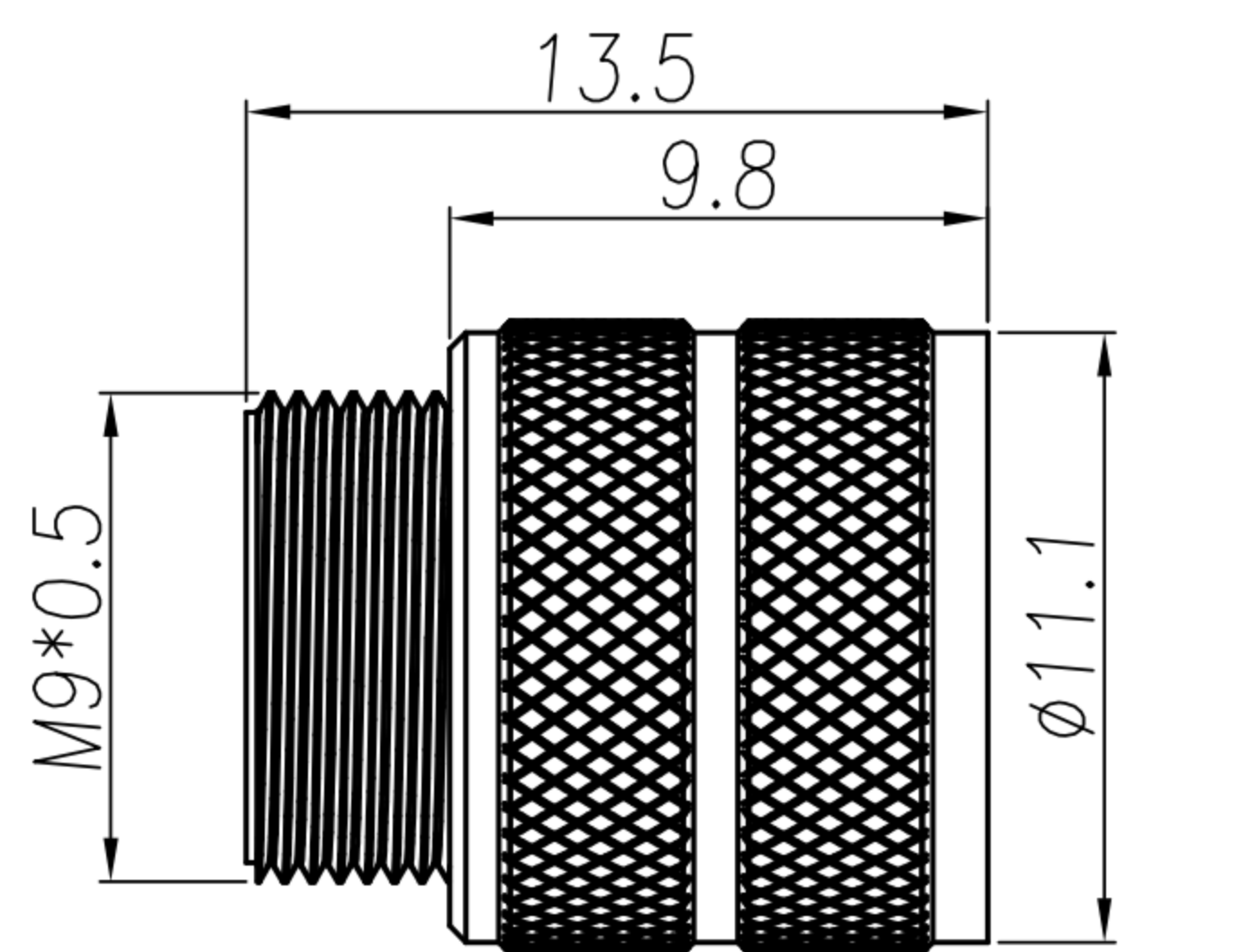


SPRING

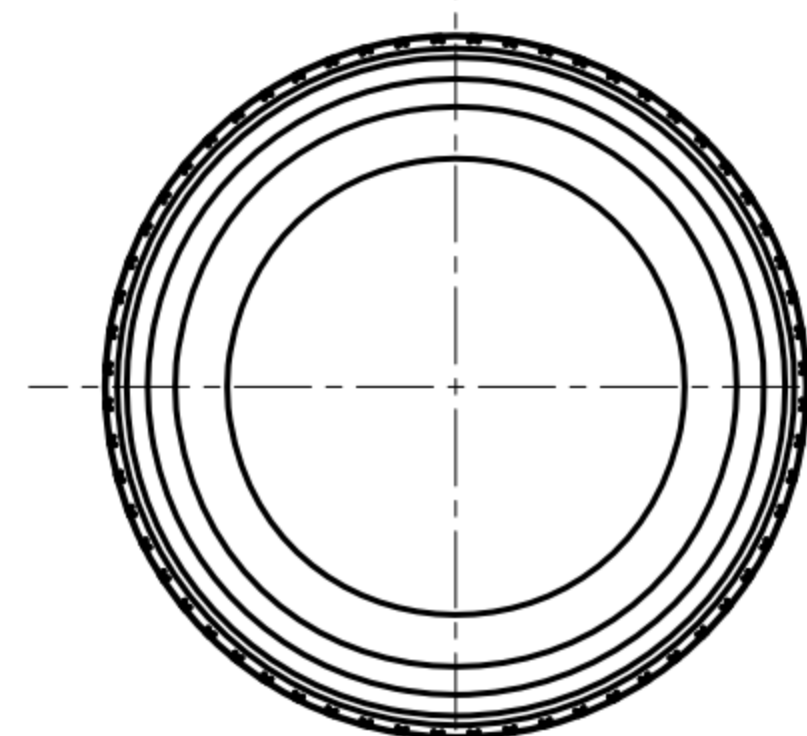


ASS'Y

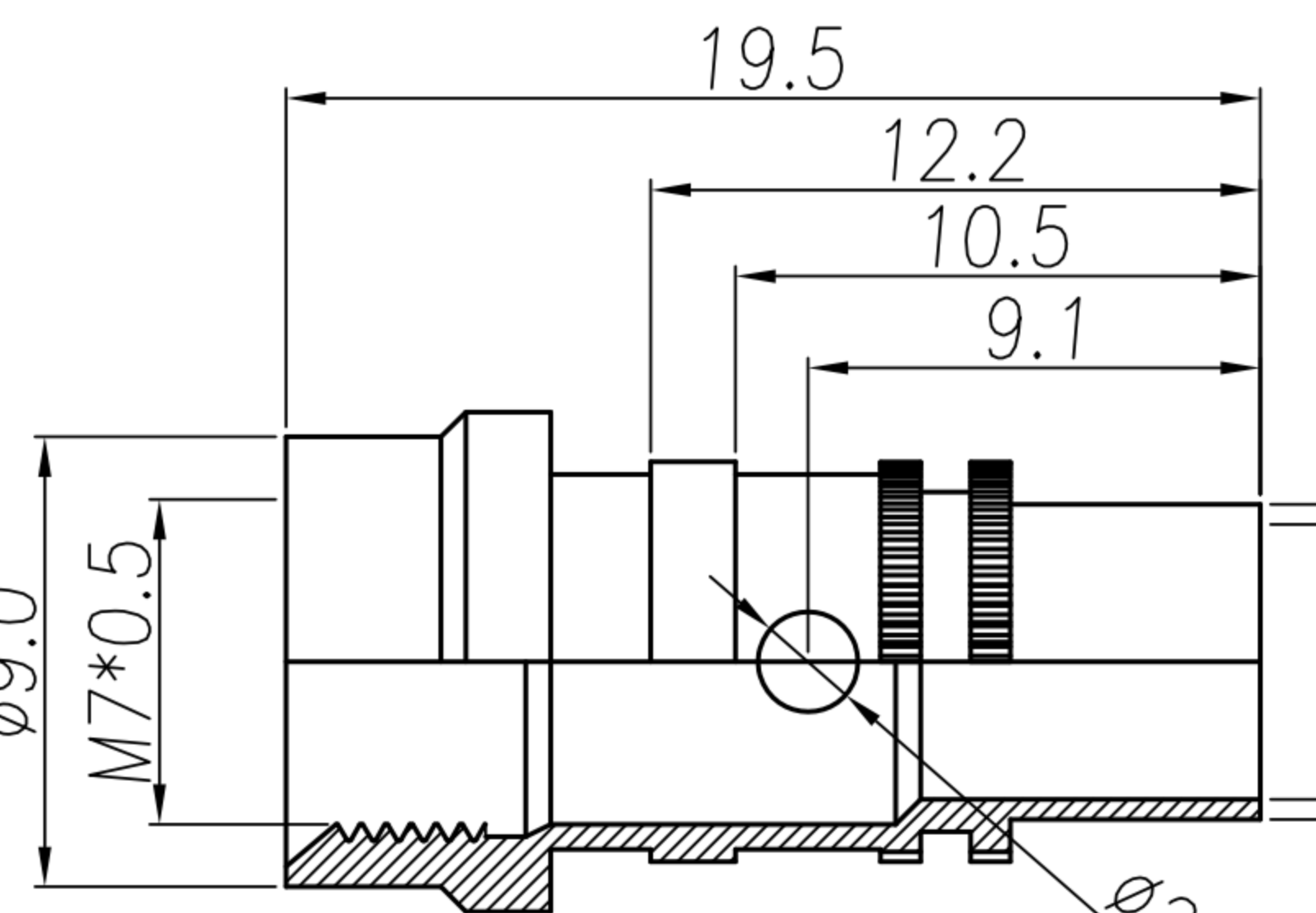
將不鏽鋼環穿入到這個位置
(倒角朝對插口面)



NUT



SHELL 2



- MATERIAL :
 - 1-1. HOUSING : PA UL94V-0 ; COLOR : BLACK
 - 1-2. CONTACT : BRASS.
 - 1-3. NUT : BRASS.
 - 1-4. SHELL : BRASS.
 - 1-5. SHELL 2 : BRASS.
 - 1-6. SPRING : STAINLESS STEEL.
 - 1-7. O-RING : EPDM ; COLOR : BLACK.
- FINISH :
 - 2-1. CONTACT : GOLD FLASH
 - 2-2. NUT : NICKEL PLATED OVER ALL
 - 2-3. SHELL : NICKEL PLATED OVER ALL
 - 2-4. SHELL 2: NICKEL PLATED OVER ALL
- ELECTRICAL SPECIFICATION :
 - 3-1. Rated current(40°C) : 2~3P 4A; 4~5P 3A; 7~8P 1A
 - 3-2. Rated voltage : 125V
 - 3-3. Water proof : IP67
- Environmental :
 - 4-1. Operation Temperature : -25°C~70°C

TABLE A/表A

| D1=Ø6.3 D2=Ø5.5 | D1=Ø5.3 D2=Ø4.5 | WP-02M2-81-11 | WP-03M2-136-11 | WP-04M2-230-11 | WP-05M2-191-11 | WP-07M2-24-11 | WP-08M2-122-11 |
|-----------------|-----------------|---------------|----------------|----------------|----------------|---------------|----------------|
| | | WP-02M2-82-11 | WP-03M2-137-11 | WP-04M2-231-11 | WP-05M2-192-11 | WP-07M2-25-11 | WP-08M2-123-11 |

| | | | | | | | | | | | | | | | |
|-------|------------|--------|------------|-------|-----|-----------|--|--|--|----------|---------------------|---------|---------|---------|-----|
| DRAWN | LEO | APPEND | Emily Suen | UNIT | mm | TOLERANCE | | | 广东科斯达电子科技有限公司 GUANG DONG KE SI DA ELECTRONIC TECHNOLOGY CO., LTD. | TITLE | M9 (M) 線端成型式 (接地銅管) | | | SHEET | 1/1 |
| CHK'D | Emily Suen | | | SCALE | 1:1 | | | | | PART NO. | SEE TABLE A | DWG NO. | QC10293 | VERSION | |