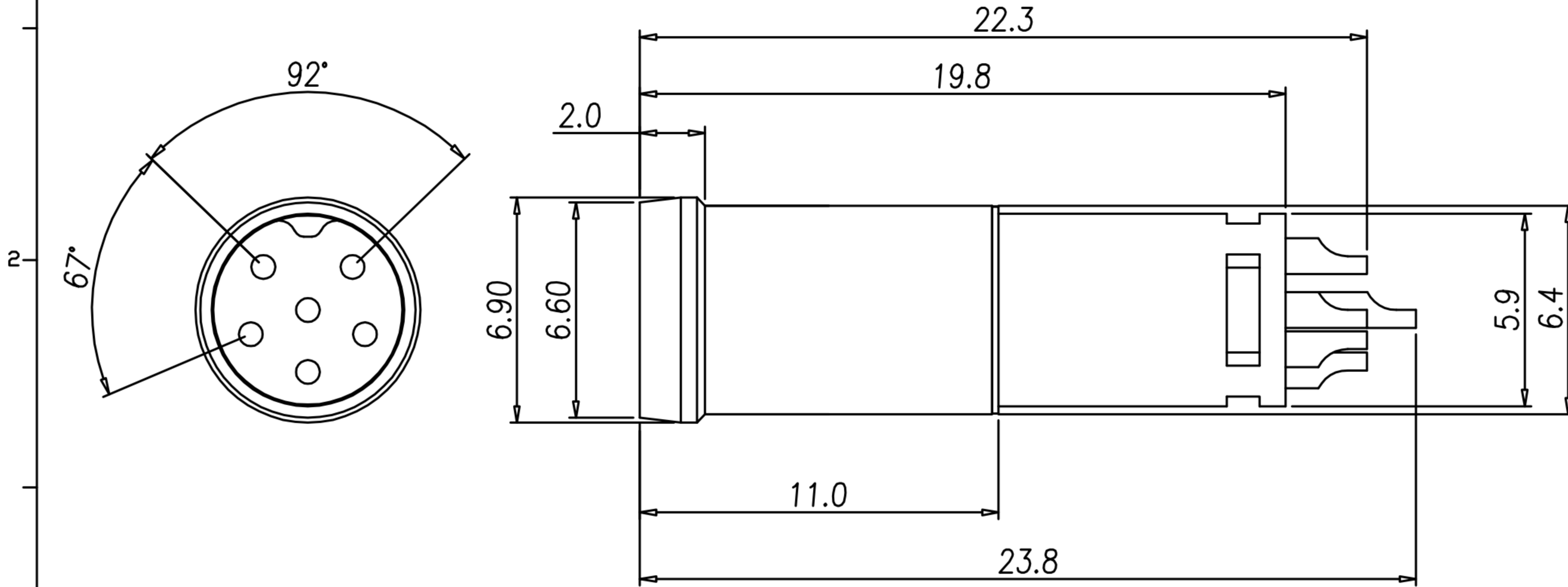


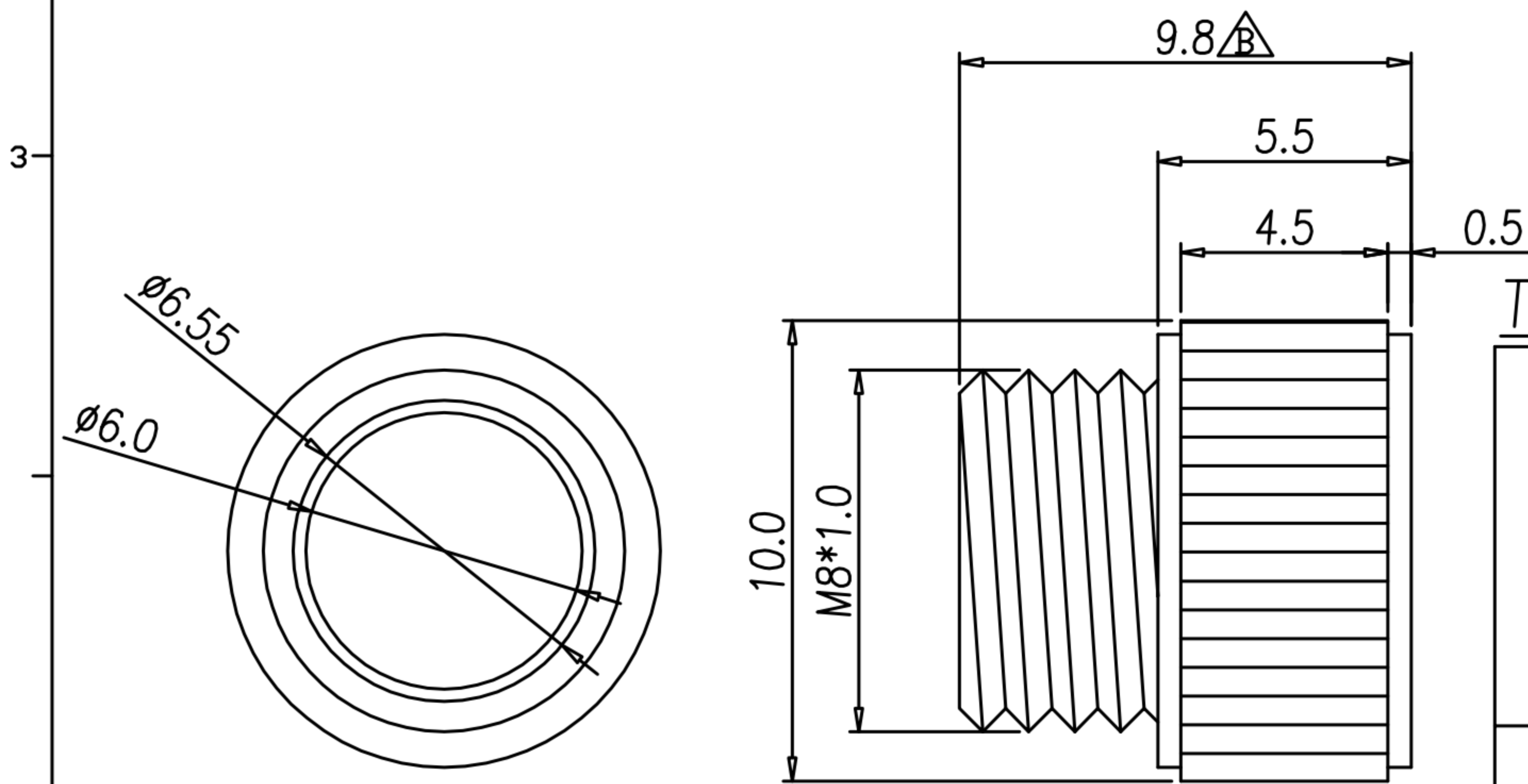
# CUSTOMER DRAWING

REV.	DESCRIPTION	APPVL. BY	DATE	ECN NO.
A	RELEASE	Fido	16/05/17'	
B	尺寸設變	Fido	16/11/17'	
C				



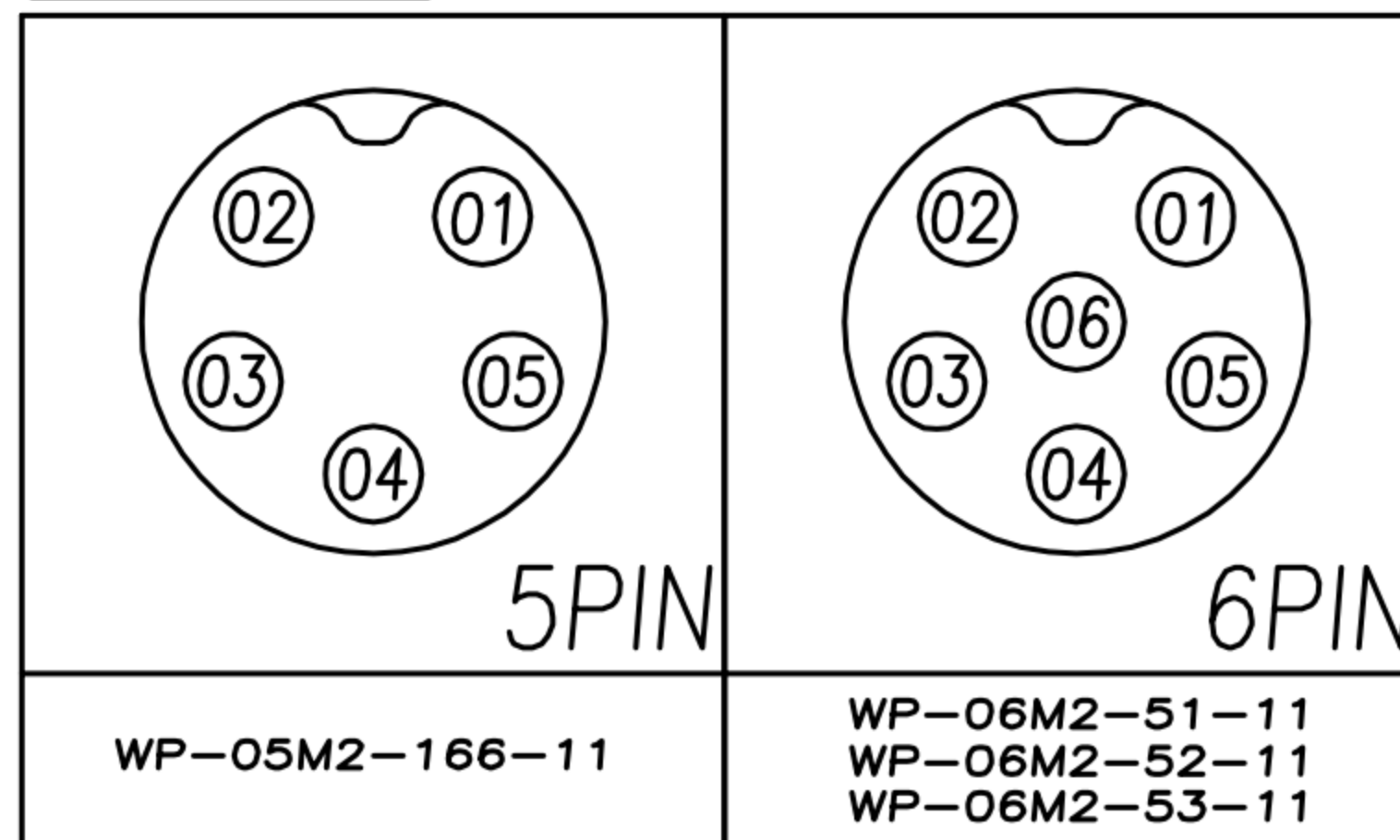
**NOTE**

- MATERIAL :**
  - 1-1. HOUSING : PA66 UL94V-0 ; COLOR : BLACK
  - 1-2. CONTACT : BRASS.
  - 1-3. NUT : SEE TABLE A
  - 1-4. SHELL : SEE TABLE A
- FINISH :**
  - 2-1. CONTACT : GOLD 10 MICRO INCHES MIN.
  - 2-2. SHELL : SEE TABLE A
  - 2-3. NUT : SEE TABLE A
- ELECTRICAL SPECIFICATION :**
  - 3-1. Rated current : 2A
  - 3-2. Rated Voltage : 30V
  - 3-3. Water proof : IP67
- Environmental :**
  - 4-1. Operation Temperature : -40℃~105℃

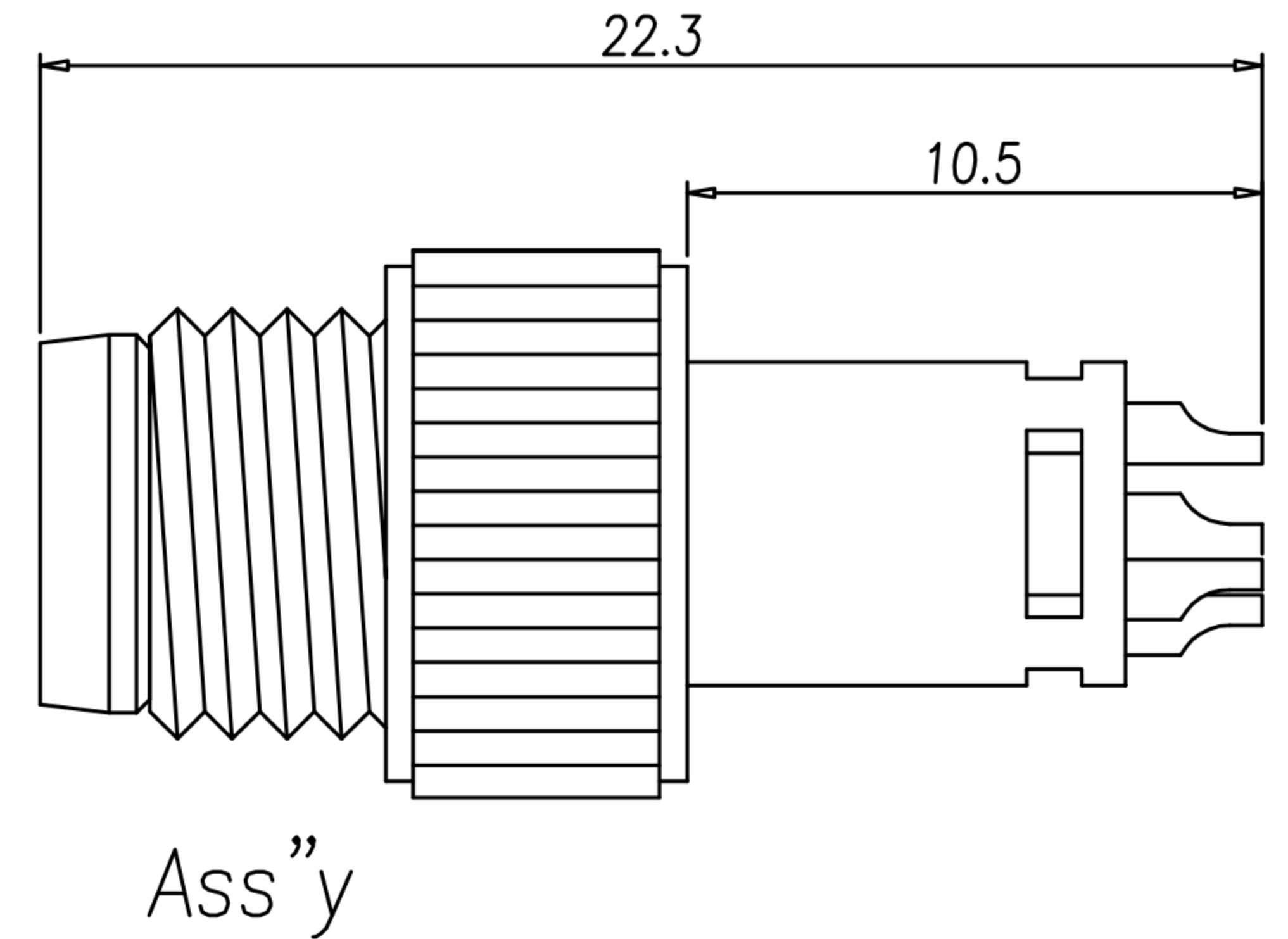


NUT

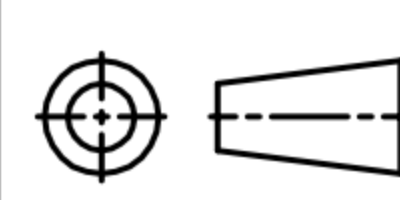
TABLE A



WP-05M2-166-11	WP-06M2-51-11 WP-06M2-52-11 WP-06M2-53-11			
WP-05M2-166-11	BRASS	NICKEL PLATED.	BRASS	NICKEL PLATED.
WP-06M2-51-11	Stainless steel 316	-	Stainless steel 316	-
WP-06M2-52-11	BRASS	NICKEL PLATED.	BRASS	NICKEL PLATED.
WP-06M2-53-11	Stainless steel 316	-	BRASS	NICKEL PLATED.
P/N	MATERIAL(NUT)	PLATED(NUT)	MATERIAL(SHELL)	PLATED(SHELL)



DRAW	Ku Chou	APPVL	Emily Suen	UNIT	mm	TOLERANCE
CHECK	Emily Suen			SCALE	1:1	.x ±0.20 .xx ±0.10 .xxx ±0.05 .xxxx ±0.03 ANGULA ±1°



广东科斯达电子科技有限公司  
GUANG DONG KE SI DA ELECTRONIC TECHNOLOGY CO., LTD.

TITLE	M8 (M) 線端焊線式(梅花型92°)			SHEET	1
PART NO.	SEE TABLE A	DWG NO.	QC7848	VERSION	B