

CUSTOMER DRAWING

| REV. | DESCRIPTION | APPROVED BY | DATE      | ECN NO. |
|------|-------------|-------------|-----------|---------|
| △A   | RELEASE     | Fido Weng   | 01/07/13' |         |
| △B   |             |             |           |         |
| △C   |             |             |           |         |

TABLE A

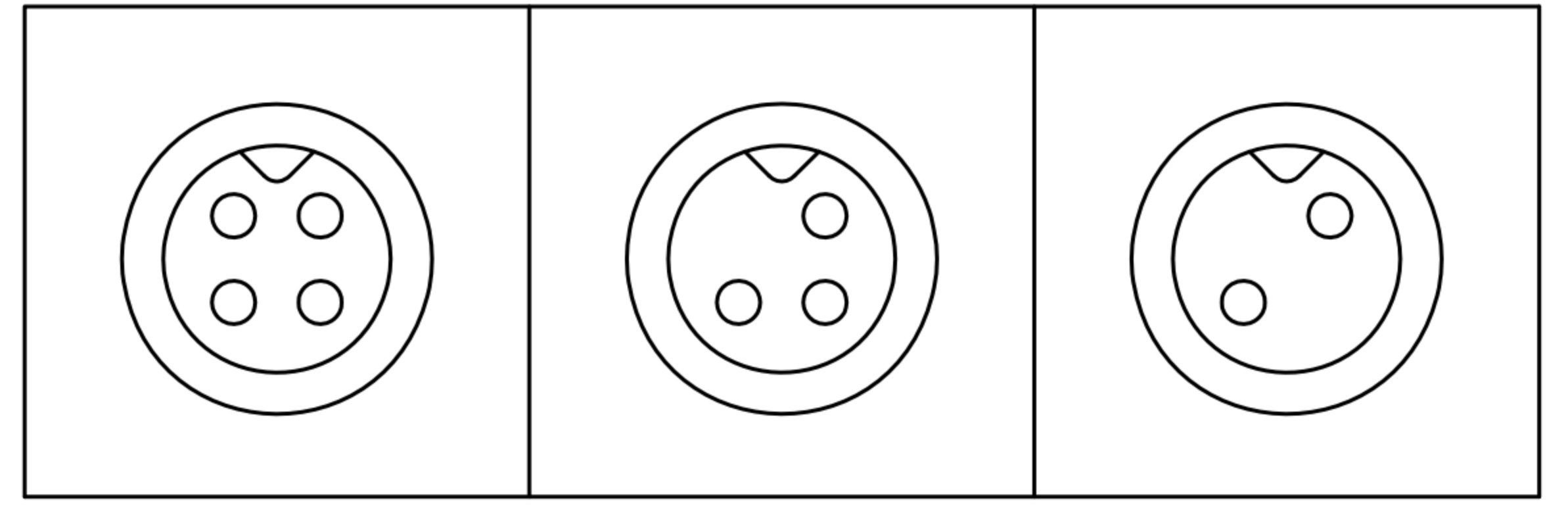
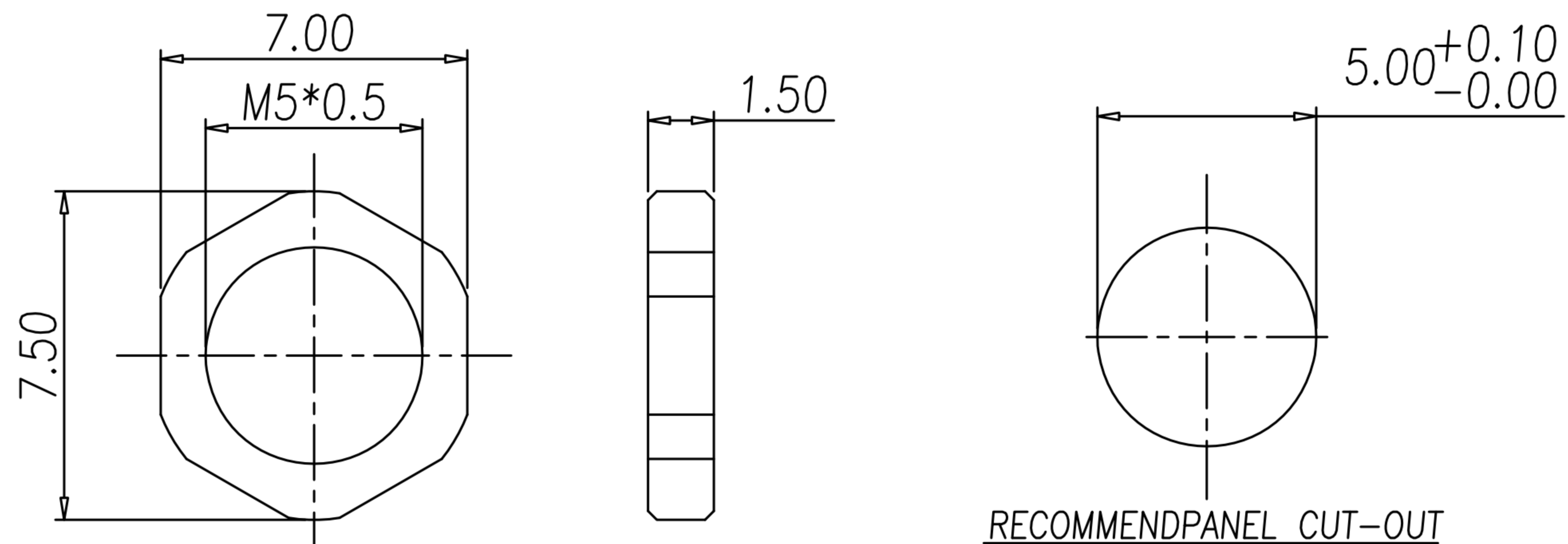
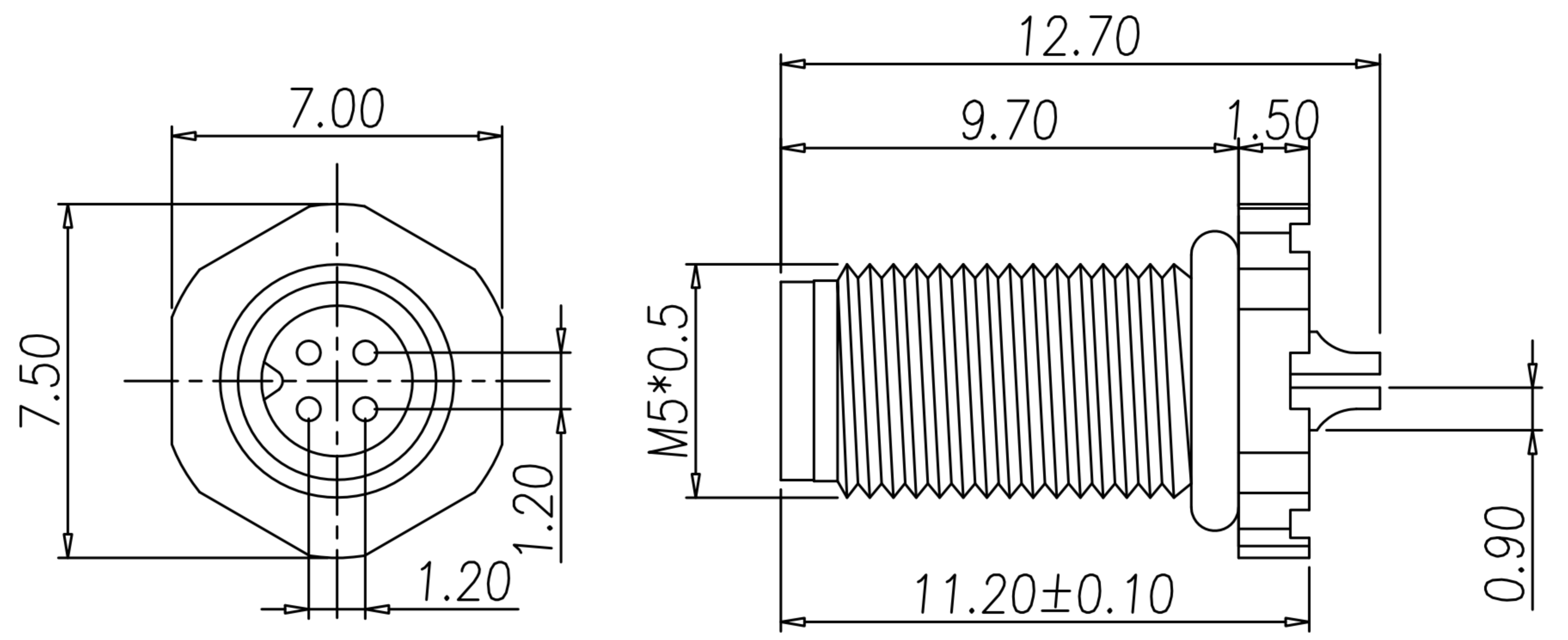


TABLE A

|                |            |
|----------------|------------|
| WP-04M2-116-11 | GOLD 10u"  |
| WP-03M2-59-11  | GOLD 10u"  |
| WP-02M2-40-11  | GOLD 10u"  |
| WP-04M2-85-11  | GOLD FLISH |
| WP-03M2-44-11  | GOLD FLISH |
| WP-02M2-32-11  | GOLD FLISH |
| PART NO        | FINISH     |

- MATERIAL :
  - 1-1. HOUSING : PBT UL94V-0 ; COLOR : BLACK
  - 1-2. CONTACT : BRASS
  - 1-3. NUT : BRASS
  - 1-4. SHELL : BRASS
  - 1-5. O-RING : NBR ; COLOR : BLACK
- FINISH :
  - 2-1. CONTACT : SEE TABLE A
  - 2-2. NUT : NICKEL PLATED.
  - 2-3. SHELL : NICKEL PLATED.
- ELECTRICAL SPECIFICATION :
  - 3-1. Rated current : 1A
  - 3-2. Rated Voltage : 60V
  - 3-3. Water proof: IP67
- Environmental :
  - 4-1. Operation Temperature : -20 °C~85°C



NUT

RECOMMEND PANEL CUT-OUT

|       |            |       |           |       |     |  |  |  |          |             |         |        |         |
|-------|------------|-------|-----------|-------|-----|--|--|--|----------|-------------|---------|--------|---------|
| DRAWN | Ku Chou    | APP'D | Fido Weng | UNIT  | mm  | TOLERANCE  |  | 广东科斯达电子科技有限公司<br>GUANG DONG KE SI DA ELECTRONIC TECHNOLOGY CO., LTD. | TITLE    | M5 (M)前侧焊式. |         |        | SHEET   |
| CHK'D | Emily Suen |       |           | SCALE | 1:1 | .x ±0.20<br>.xx ±0.10<br>.xxx ±0.05<br>.xxxx ±0.03<br>ANGULA ±1° |  |  | PART NO. | SEE TABLE A | DWG NO. | QC6239 | VERSION |