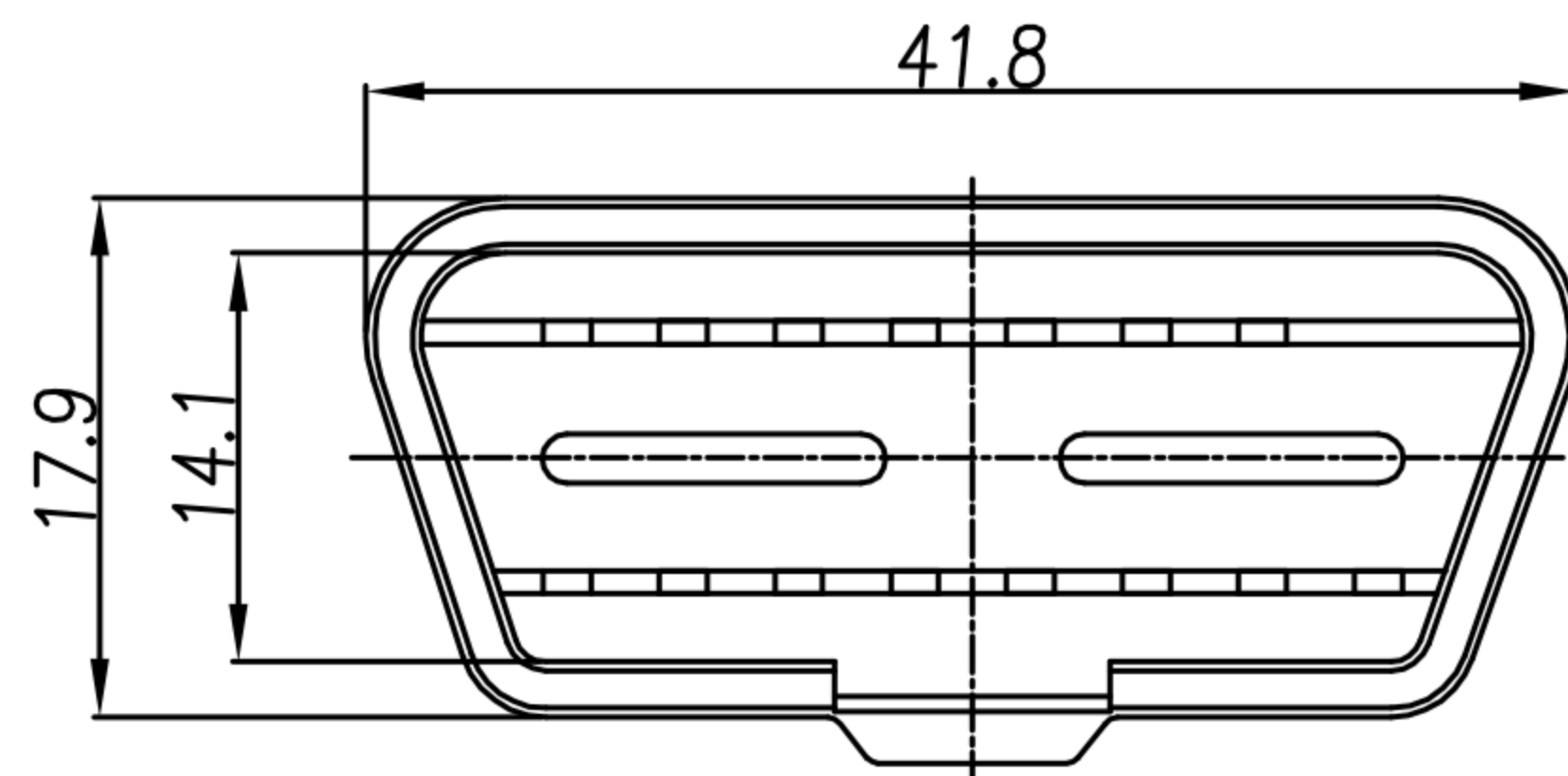
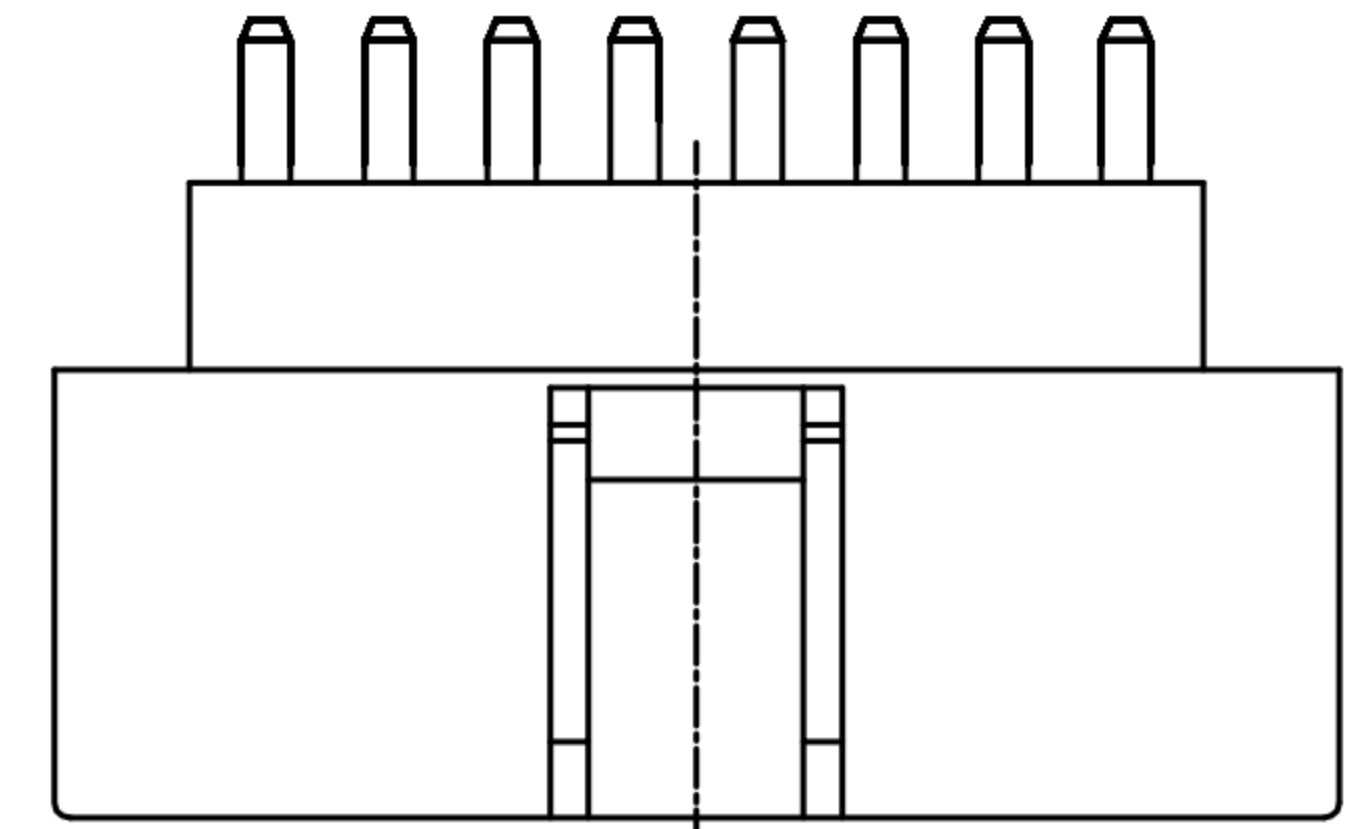
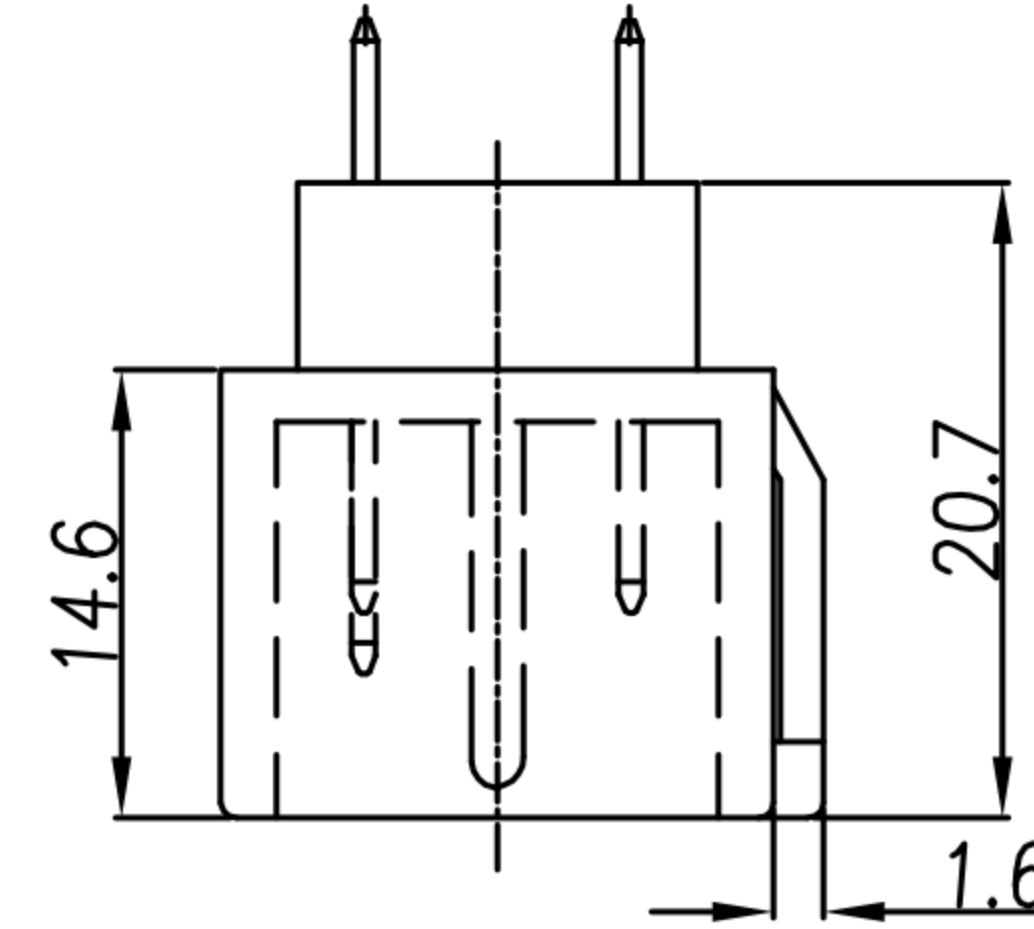
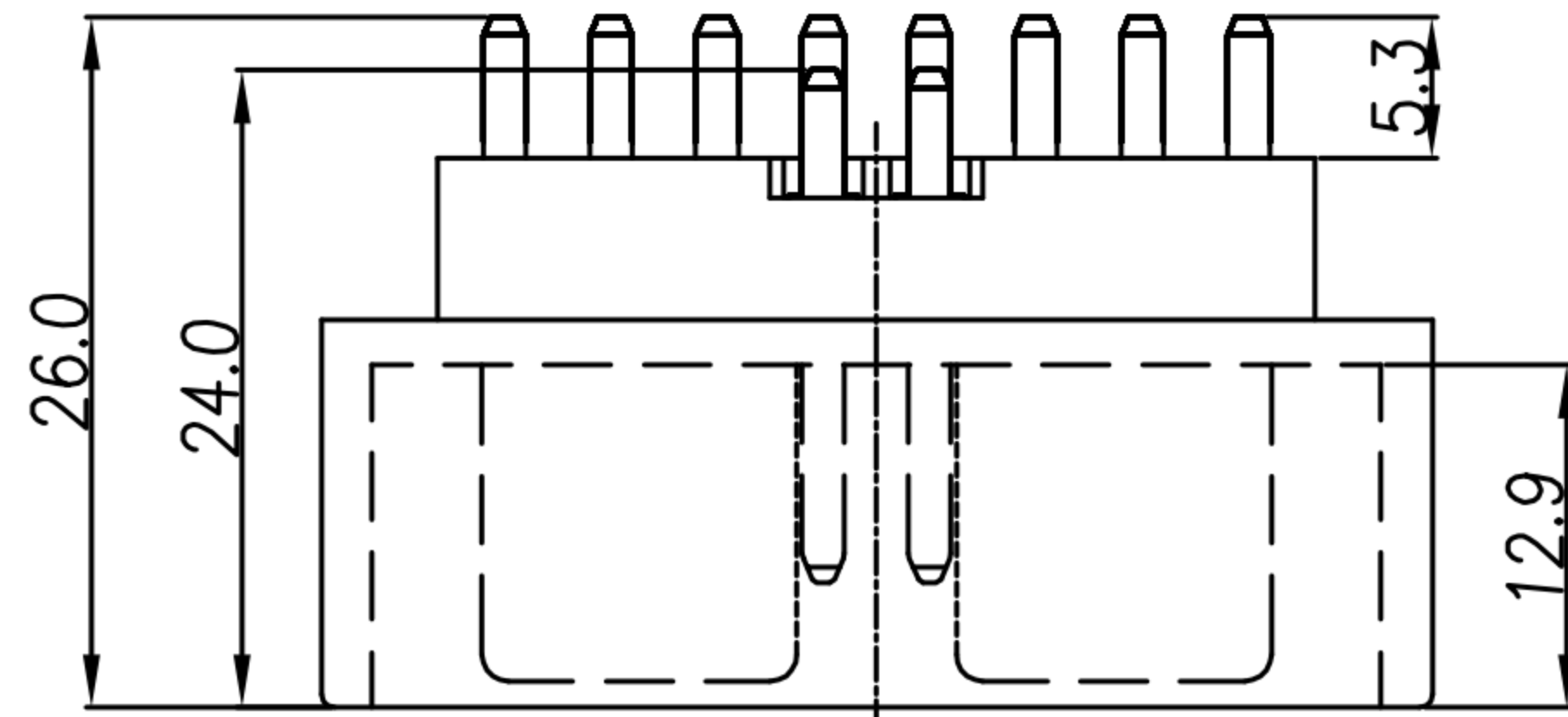
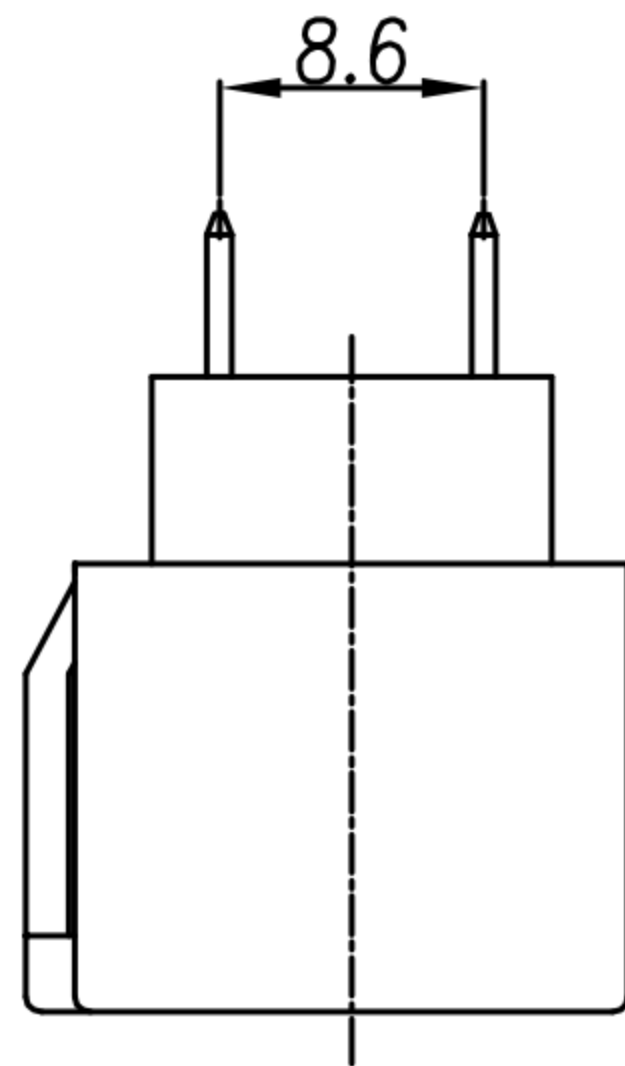
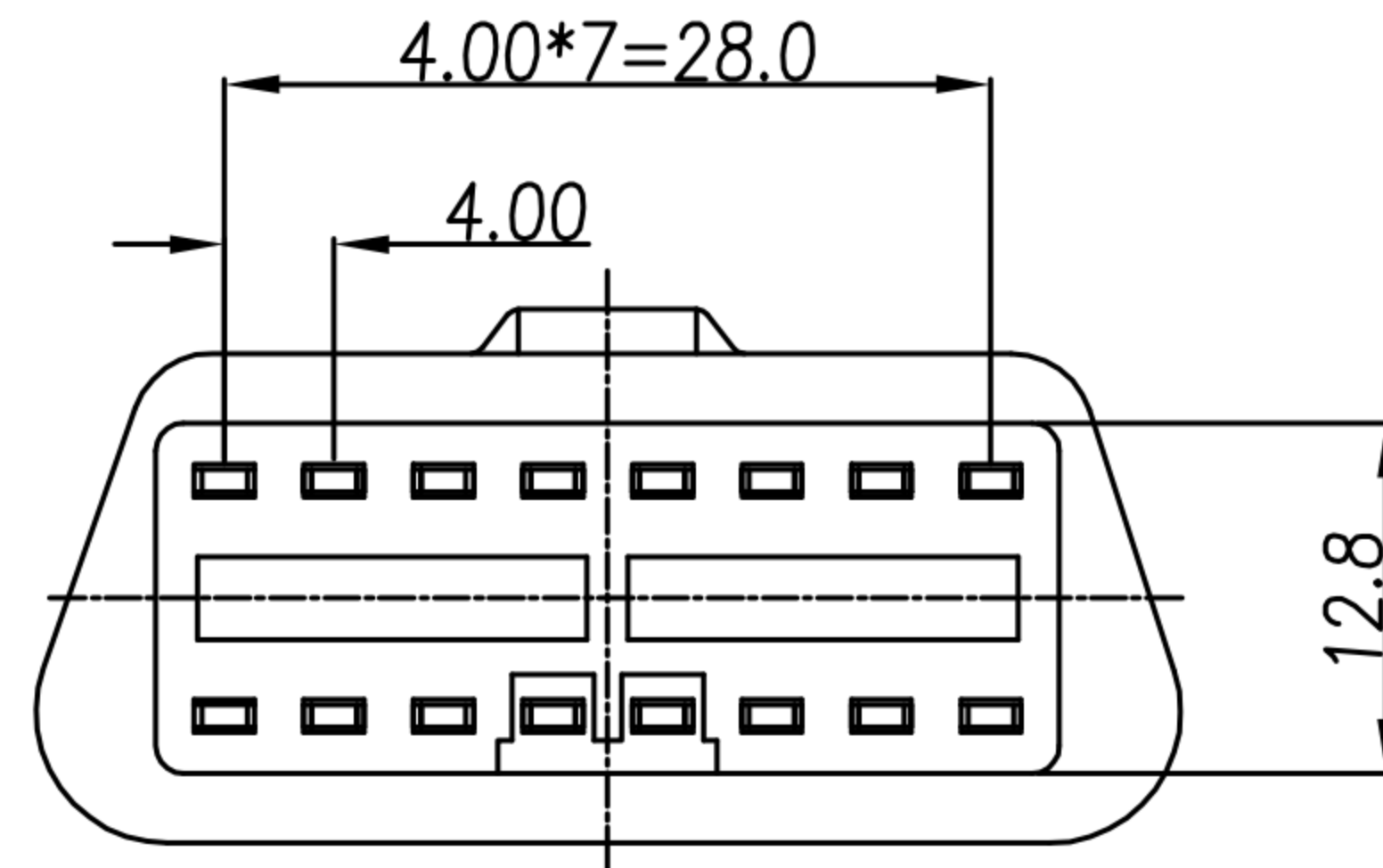


CUSTOMER DRAWING

REV.	DESCRIPTION	APPROVED BY	DATE	ECN NO.
A	新增料號及發行	Fido Weng	12/11/09*	ECN09180
B	ADD P/N	Fido Weng	28/07/10*	
C				



NOTE:

- MATERIAL:
 - 1-1.HOUSING: NYLON 66+15%GF
 - 1-2.CONTACT: BRASS ,t=0.80mm
- PLATING:
 - 2-1.CONTACT: BRIGHT TIN.

TABLE A

A	OBD2-16M1-28	OBD2 16PIN (M) 短版成型式(雙隔板)藍色
	OBD2-16M1-25	OBD2 16PIN (M) 短版成型式(雙隔板)紅色
	OBD2-16M1-15	OBD2 16PIN (M) 短版成型式(雙隔板)黑色
	P/N.	DESCRIPTION

DRAWN	Emily Suen	APP'D	Fido Weng	UNIT	mm	TOLERANCE			广东科斯达电子科技有限公司 GUANG DONG KE SI DA ELECTRONIC TECHNOLOGY CO., LTD.	TITLE	OBD2 16PIN (M) 短版成型式(雙隔板)			SHEET	1
CHK'D	Emily Suen			SCALE	1:1					PART NO.	SEE TABLE A	DWG NO.	QC3797	VERSION	B