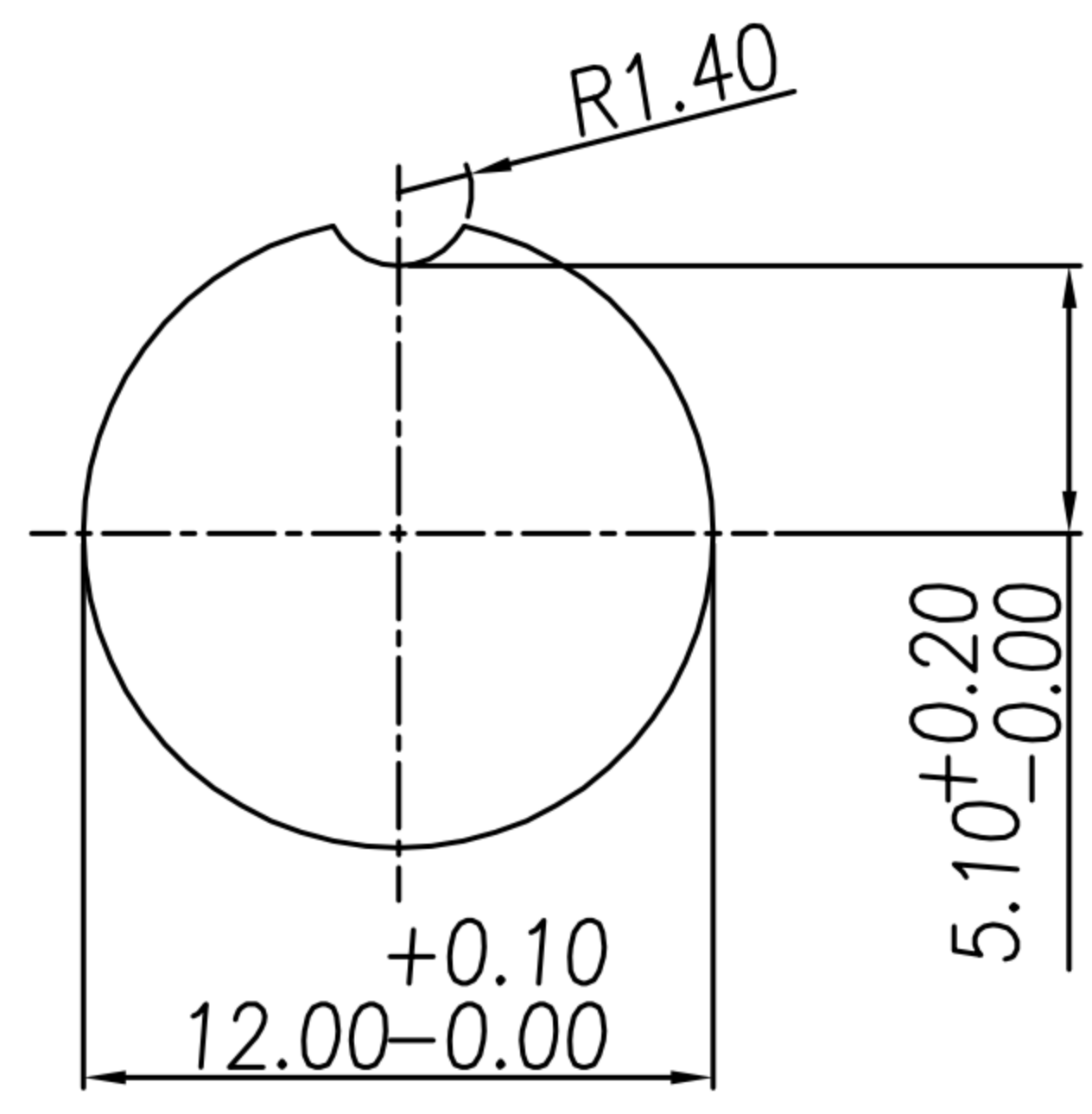
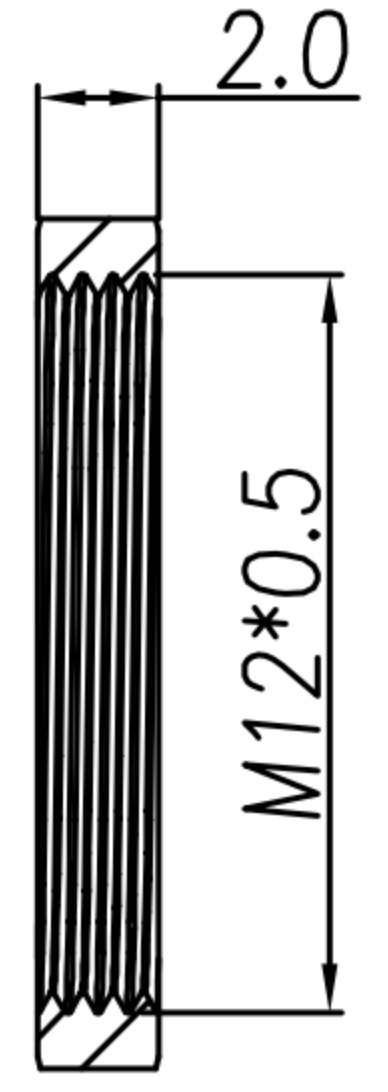
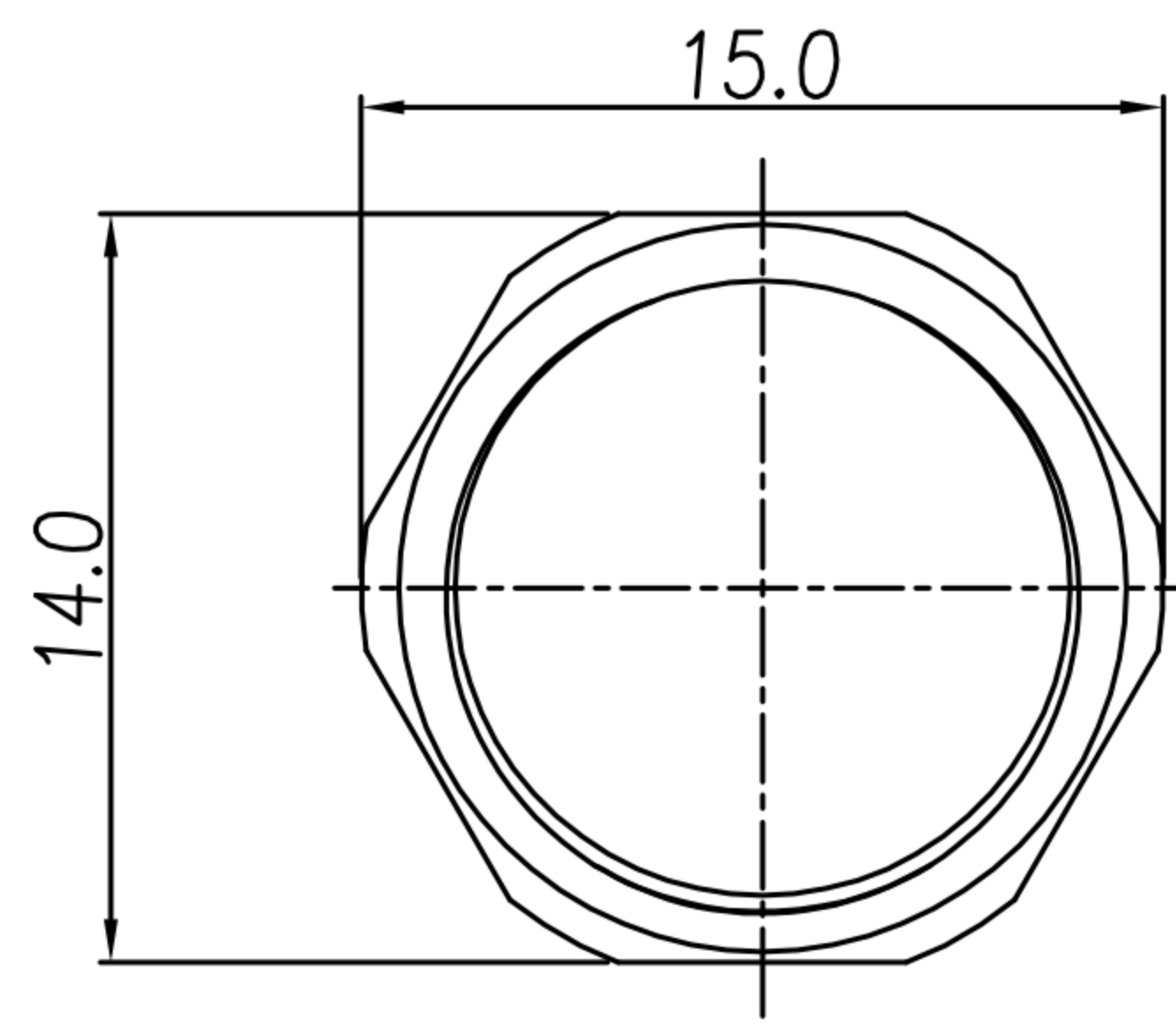
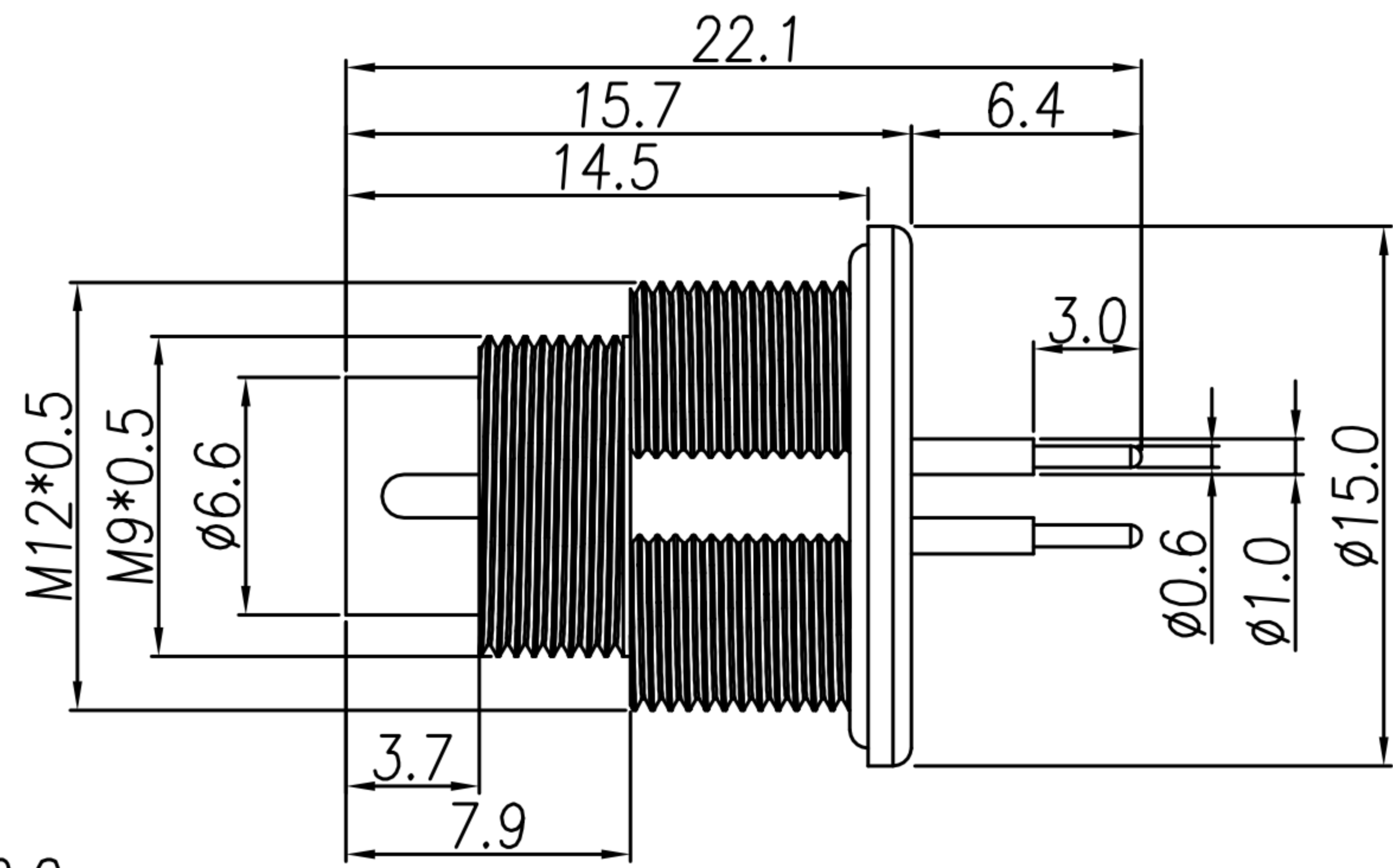
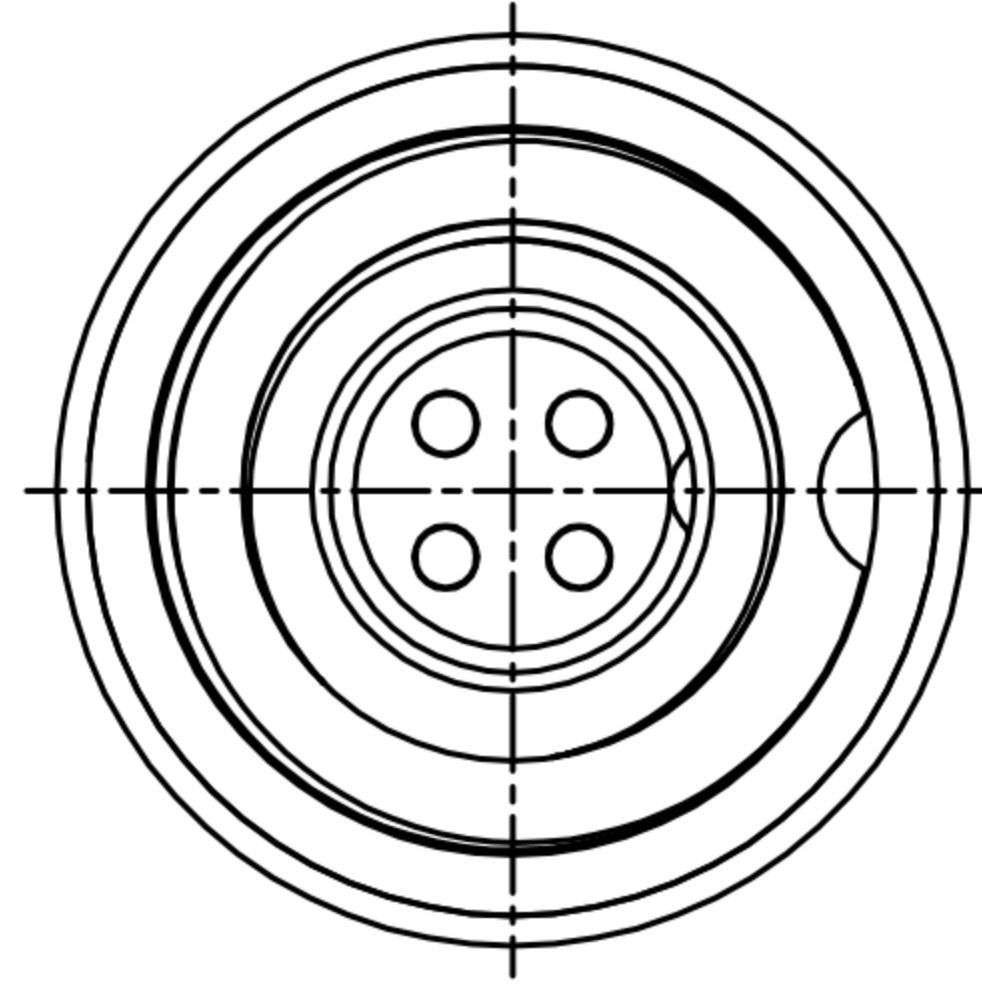


| | | | | | | | | | | | | | | | |
|---|------------------|---|--|---|--|---|--|---|--|---|------|-------------|-----------|-----------|---------|
| A | | B | | C | | D | | E | | F | | | | | |
| 1 | CUSTOMER DRAWING | | | | | | | | | | REV. | DESCRIPTION | APPVL. BY | DATE | ECN NO. |
| | | | | | | | | | | | △A | RELEASE | LED | 18/07/22' | |
| | | | | | | | | | | | △B | | | | |
| | | | | | | | | | | | △C | | | | |



NUT

RECOMMEND PANEL CUT-OUT

- MATERIAL :
 - 1-1. HOUSING : PA UL94V-0 ; COLOR : BLACK
 - 1-2. CONTACT : BRASS.
 - 1-3. SHELL : BRASS.
 - 1-4. O-RING : EPDM ; COLOR : BLACK.
 - 1-5. NUT : BRASS
- FINISH :
 - 2-1. CONTACT : GOLD FLASH
 - 2-2. SHELL : NICKEL PLTAED.
 - 2-3. NUT : NICKEL PLTAED.
- ELECTRICAL SPECIFICATION :
 - 3-1. Rated current(40°C) : 2~3P 4A; 4~5P 3A; 7~8P 1A
 - 3-2. Rated Voltage : 125V
 - 3-3. Water proof : IP67
- Environmental :
 - 4-1. Operation Temperature : -40°C~85°C

| | | | | | |
|---------------|---------------|---------------|---------------|---------------|---------------|
| | | | | | |
| WP-02M3-12-11 | WP-03M3-11-11 | WP-04M3-17-11 | WP-05M3-24-11 | WP-07M3-03-11 | WP-08M3-09-11 |

| | | | | | | | | | | | | | | |
|-------|---------|-------|---------|-------|-----|--|--|--|----------|---------------------|---------|---------|---------|-----|
| DRAWN | LED | APP'D | Ku Chou | UNIT | mm | TOLERANCE | | 广东科斯达电子科技有限公司 GUANG DONG KE SI DA ELECTRONIC TECHNOLOGY CO., LTD. | TITLE | WP M9 (M) M12 前鎖插件式 | | | SHEET | 1/2 |
| CHK'D | Ku Chou | | | SCALE | 1:1 | .x ±0.20 .xx ±0.10 .xxx ±0.05 .xxxx ±0.03 ANGULA ±1° | | | PART NO. | SEE TABLE A | DWG NO. | QC10468 | VERSION | A |