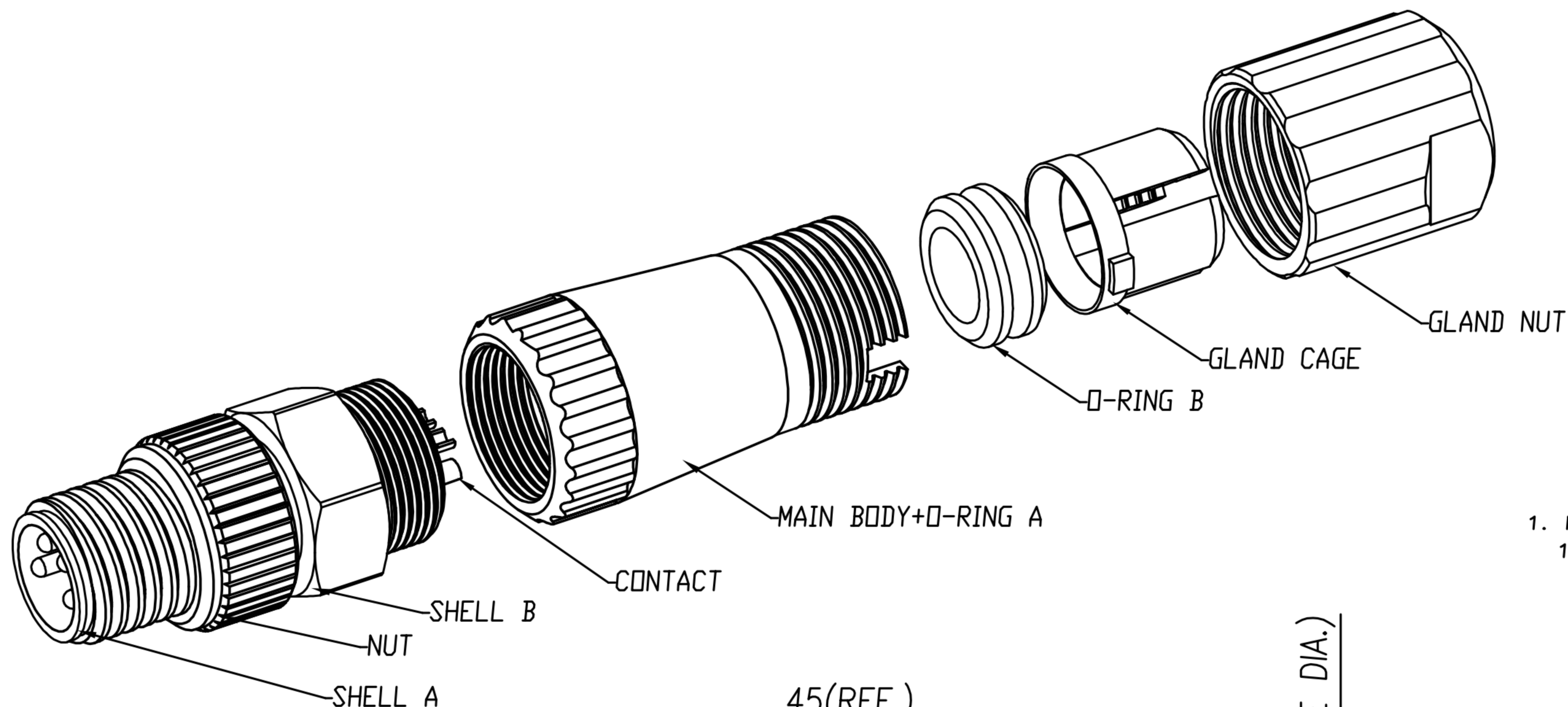


CUSTOMER DRAWING

| REV. | DESCRIPTION | APPROVED BY | DATE      | ECN NO. |
|------|-------------|-------------|-----------|---------|
| △A   | RELEASE     | Ku Chou     | 12/12/18' |         |
| △B   |             |             |           |         |
| △C   |             |             |           |         |



|                |                |
|----------------|----------------|
|                |                |
| WP-04M2-167-11 | WP-03M2-103-11 |

1. MATERIAL :

- 1-1. MATERIAL A
  - a. HOUSING : PBT UL94V-0 ; COLOR : BLACK.
  - b. CONTACT : BRASS
  - c. NUT : ALUMINIUM ALLOY
  - d. SHELL A : BRASS
  - e. SHELL B : BRASS
- 1-2. MATERIAL B
  - a. MAIN BODY : PA66 ; COLOR : BLACK
  - b. O-RING A : EPDM ; COLOR : BLACK
- 1-3. O-RING B : NBR COLOR : BLACK.
- 1-4. GLAND CAGE : PA66 ; COLOR : WHITE.
- 1-5. GLAND NUT : PA66 ; COLOR : BLACK

2. FINISH :

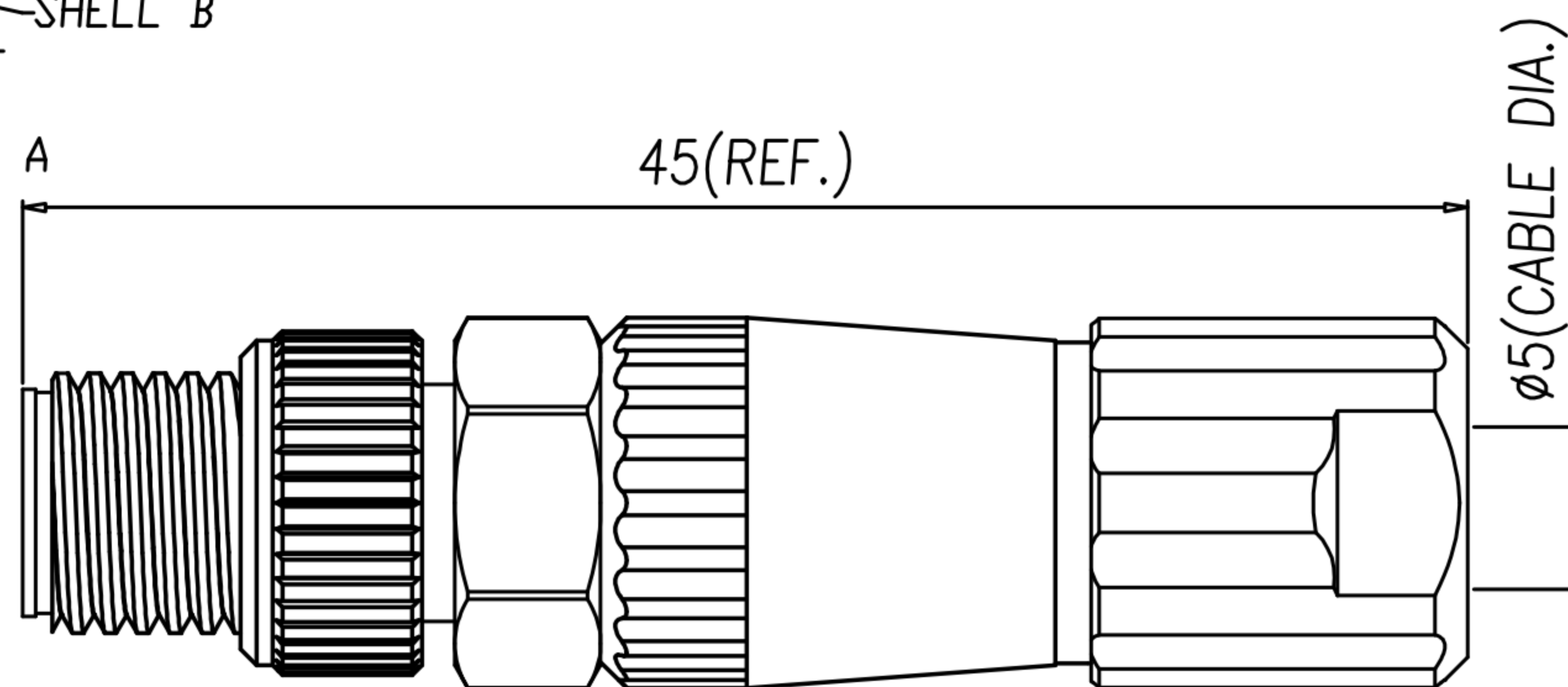
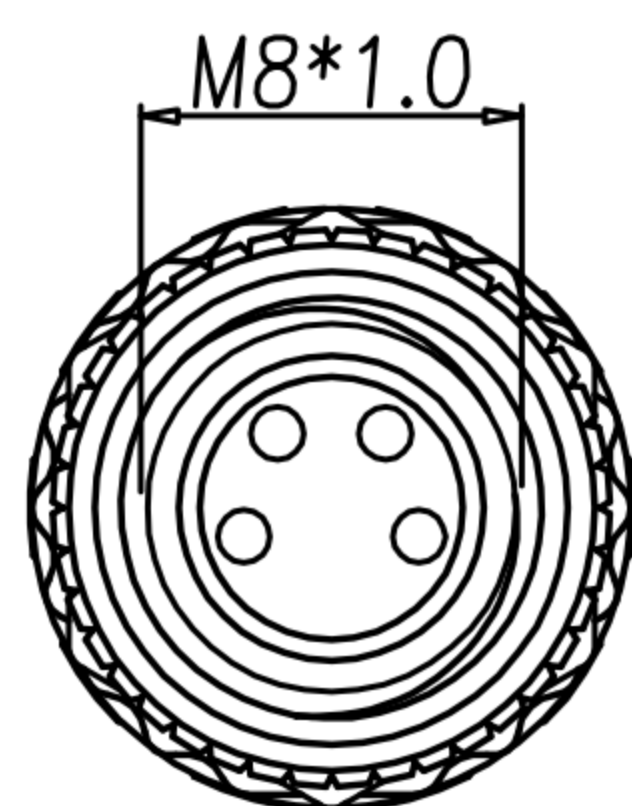
- 2-1. MATERIAL A
  - a. CONTACT : GOLD FLASH PLATED.
  - UNDER PLATE : NICKEL.
  - b. NUT : NICKEL PLATED.
  - c. SHELL A : NICKEL PLATED.
  - d. SHELL B : NICKEL PLATED.

3. ELECTRICAL SPECIFICATION :

- 3-1. Rated current : 4A
- 3-2. Rated voltage : 60V
- 3-3. Water proof : IPX7

4. Environmental :

- 4-1. Operation Temperature : -20℃~85℃



|       |            |       |         |       |     |  |  |  |          |                      |         |        |         |
|-------|------------|-------|---------|-------|-----|--|--|--|----------|----------------------|---------|--------|---------|
| DRAWN | Emily Suen | APP'D | Ku Chou | UNIT  | mm  | TOLERANCE  |  | 广东科斯达电子科技有限公司<br>GUANG DONG KE SI DA ELECTRONIC TECHNOLOGY CO., LTD. | TITLE    | M8 (M) Assembly type |         |        | SHEET   |
| CHK'D | Ku Chou    |       |         | SCALE | 1:1 | .x ±0.20<br>.xx ±0.10<br>.xxx ±0.05<br>.xxxx ±0.03<br>ANGULA ±1° |  |  | PART NO. | SEE TABLE A          | DWG NO. | QC8886 | VERSION |