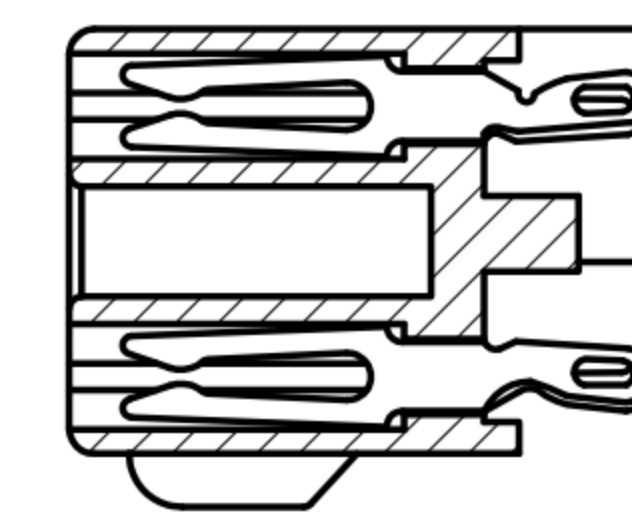
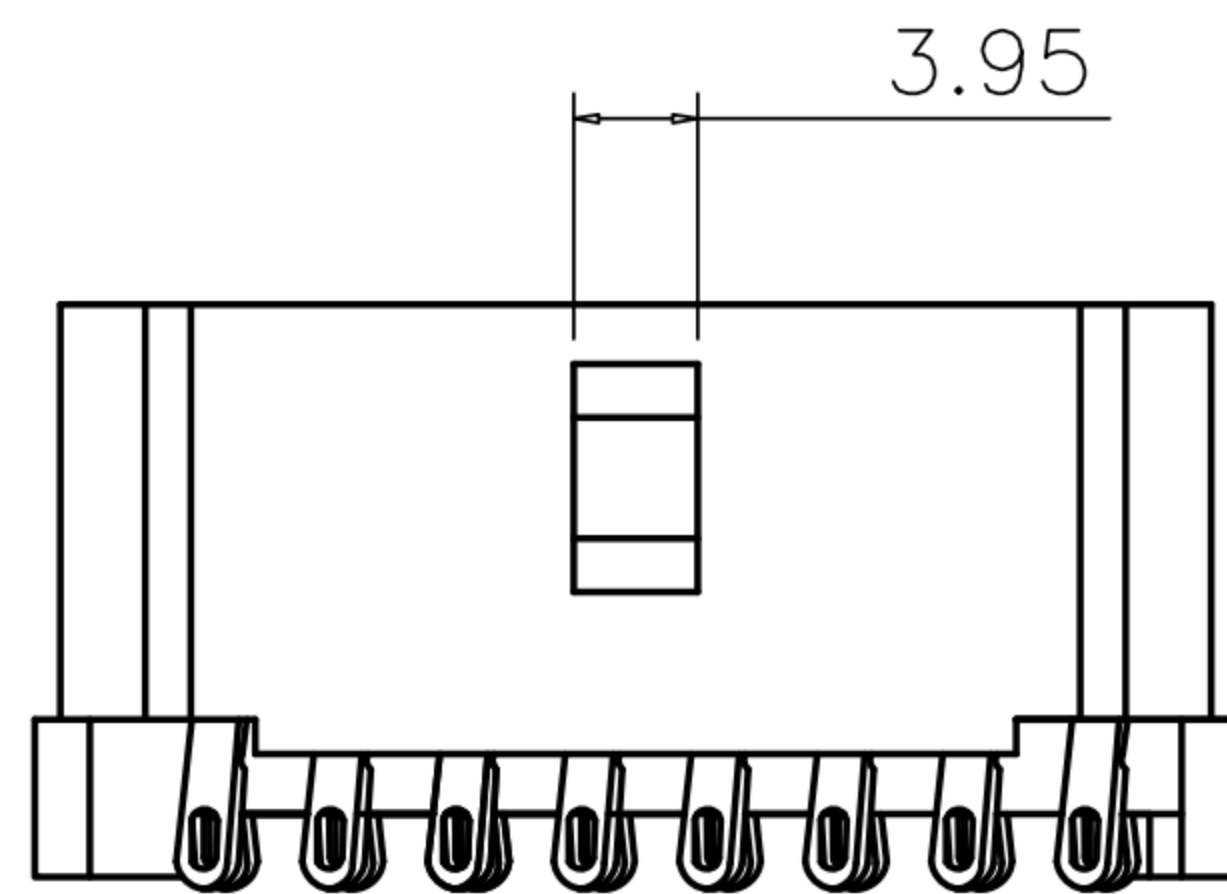
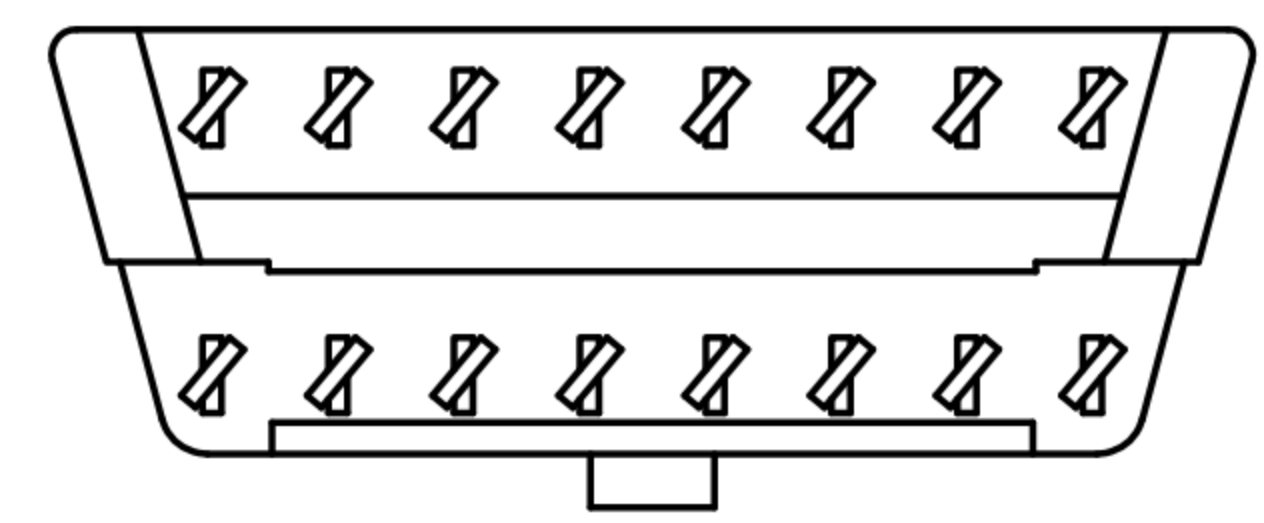
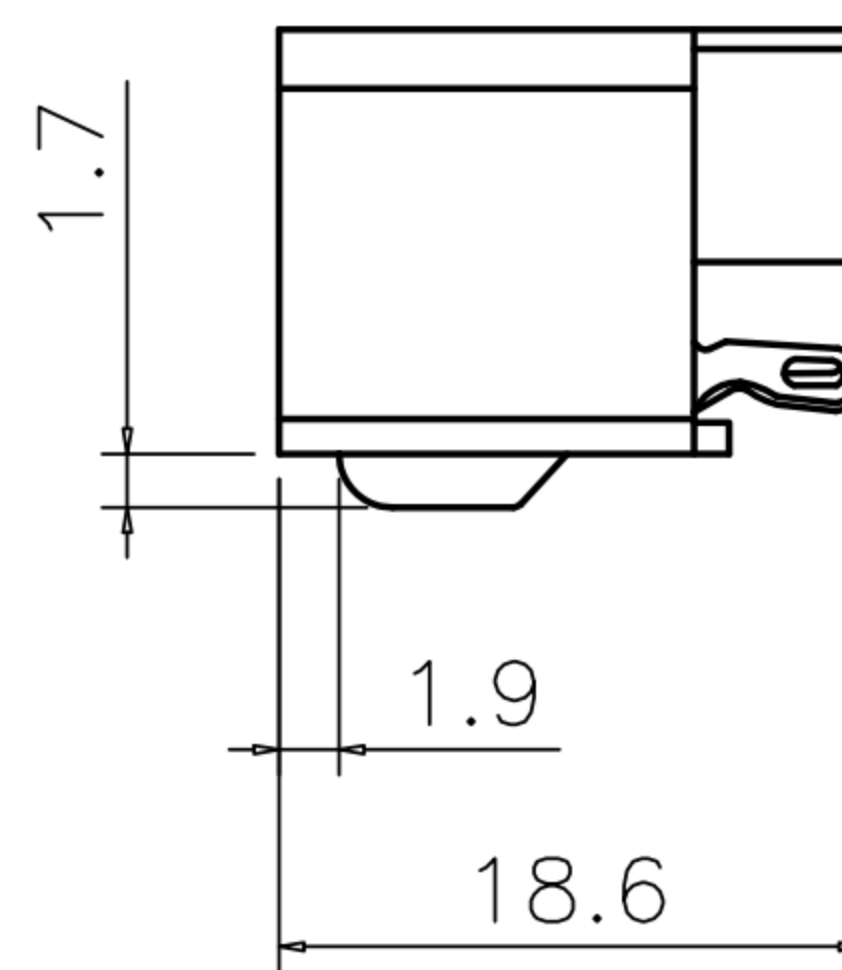
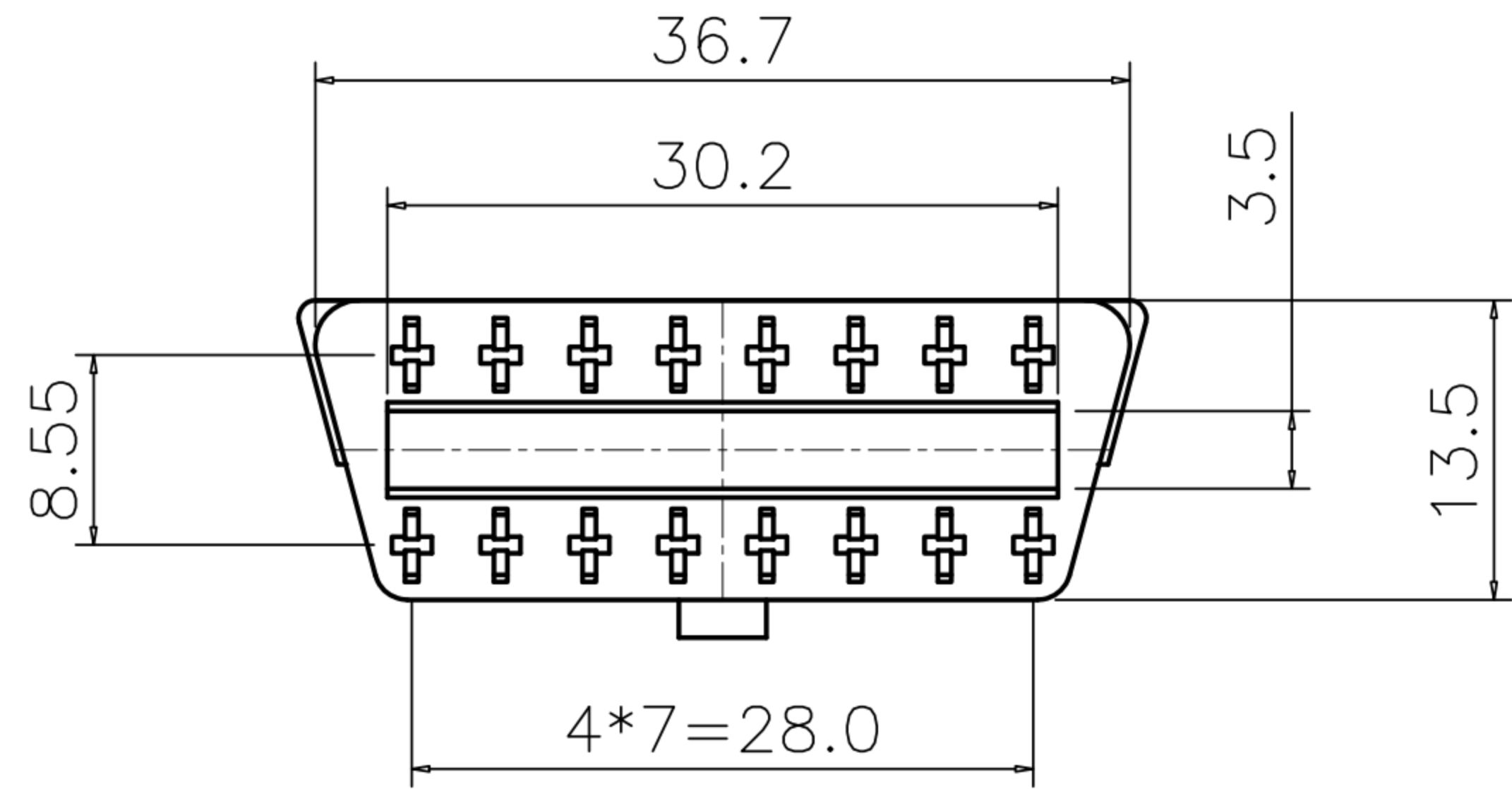
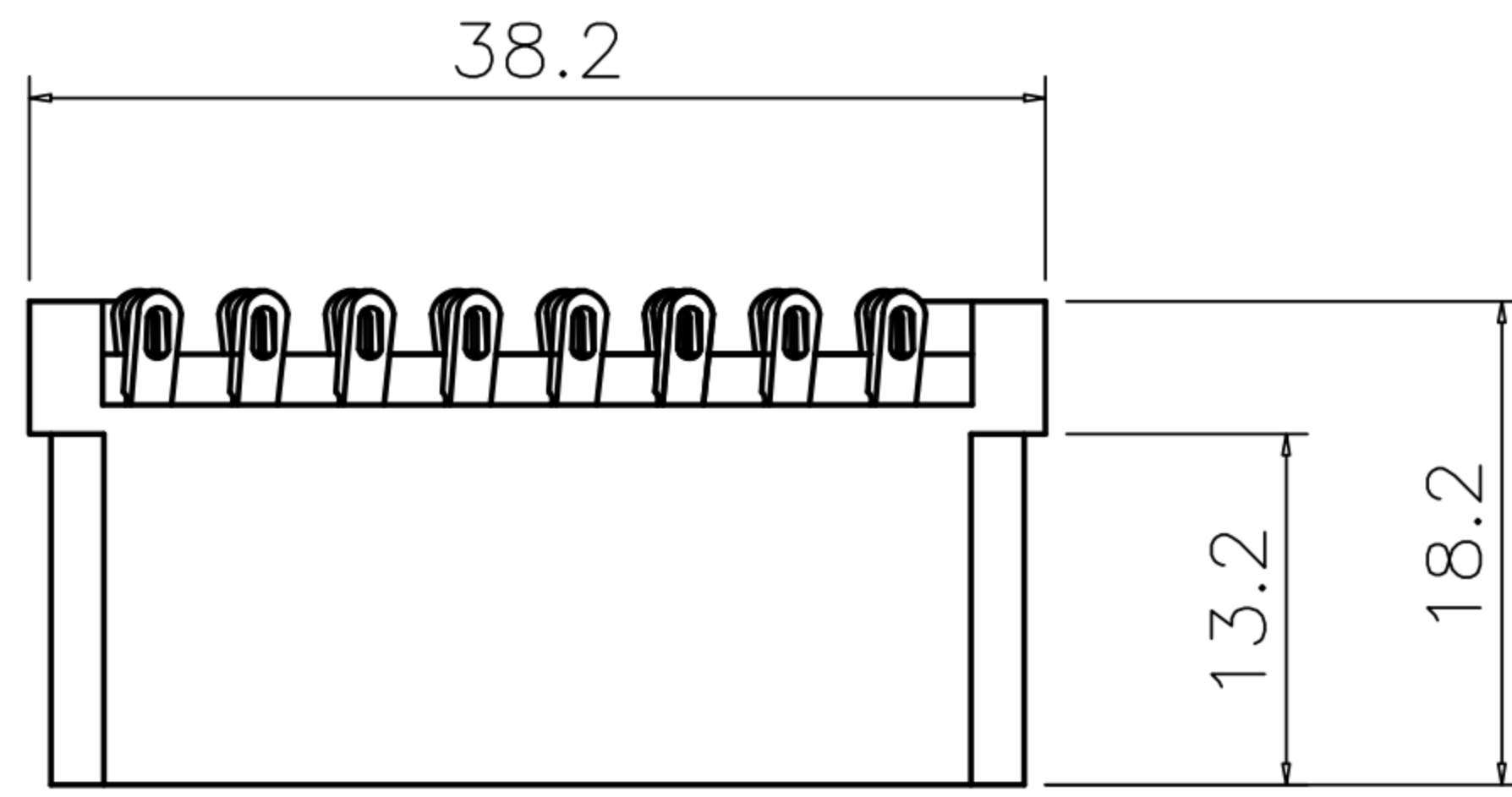


CUSTOMER DRAWING

REV.	DESCRIPTION	APPROVED BY	DATE	ECN NO.
A	RELEASE	Fido Weng	07/10/10'	
B				
C				



1. MATERIAL :
 - 1-1. HOUSING : NYLON66+ GF 15% UL94V-0 ; COLOR : BLACK.
 - 1-2. CONTACT : BRASS
2. FINISH :
 - 2-1. CONTACT : BRIGHT TIN
3. Environmental :
 - 3-1. Operation Temperature : -40℃~85℃

DRAWN	Ku Chou	APP'D	Emily Suen	UNIT	mm	TOLERANCE			TITLE	OBD2 16POS RECEPTACLE(INSET),MOLDING TYPE			SHEET	
CHK'D	Emily Suen			SCALE	1:1	.x ±0.20 .xx ±0.10 .xxx ±0.05 .xxxx ±0.03 ANGULA ±1°			PART NO.	OBD2-16F1-05	DWG NO.	QC5023	VERSION	