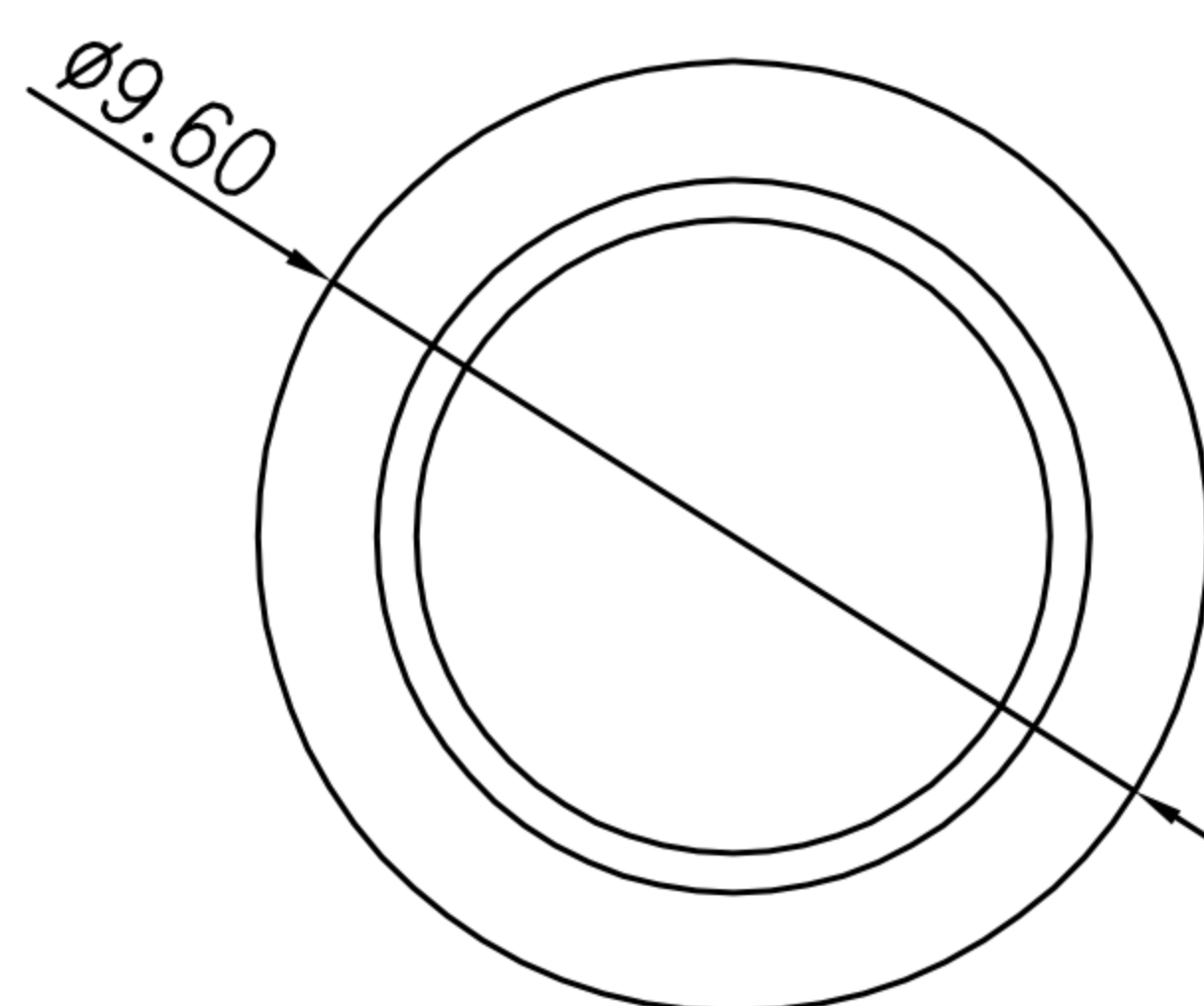
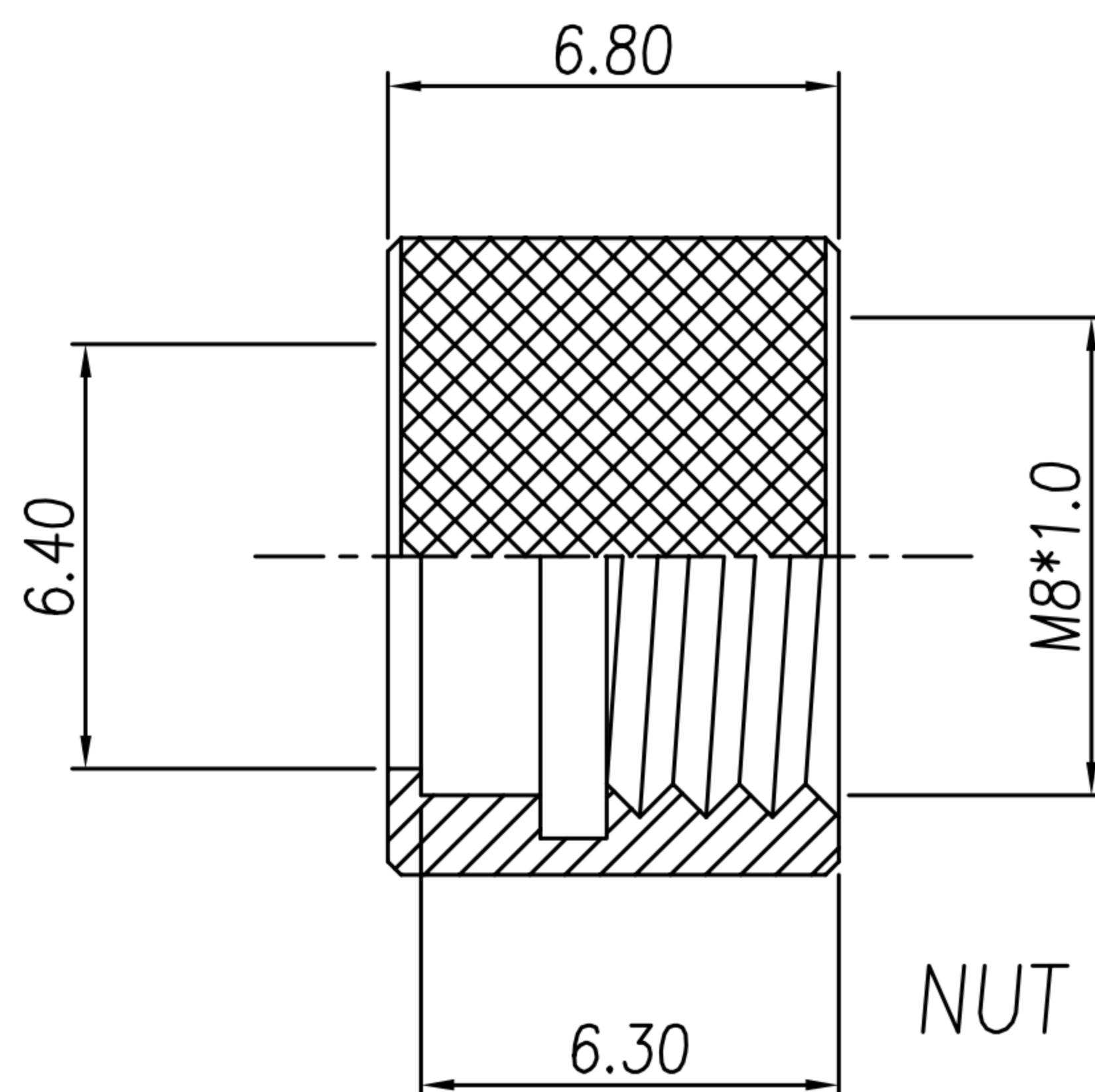
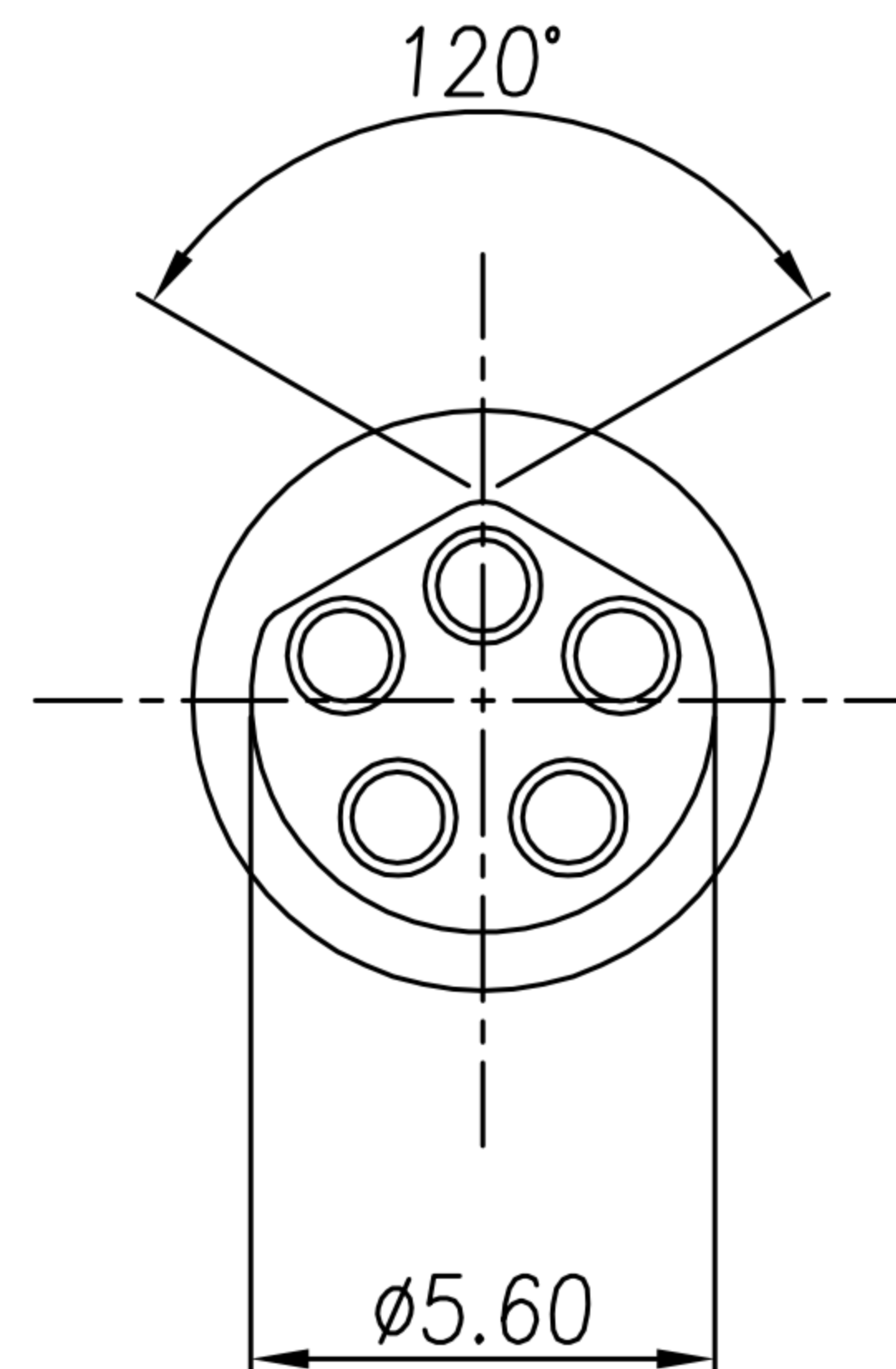
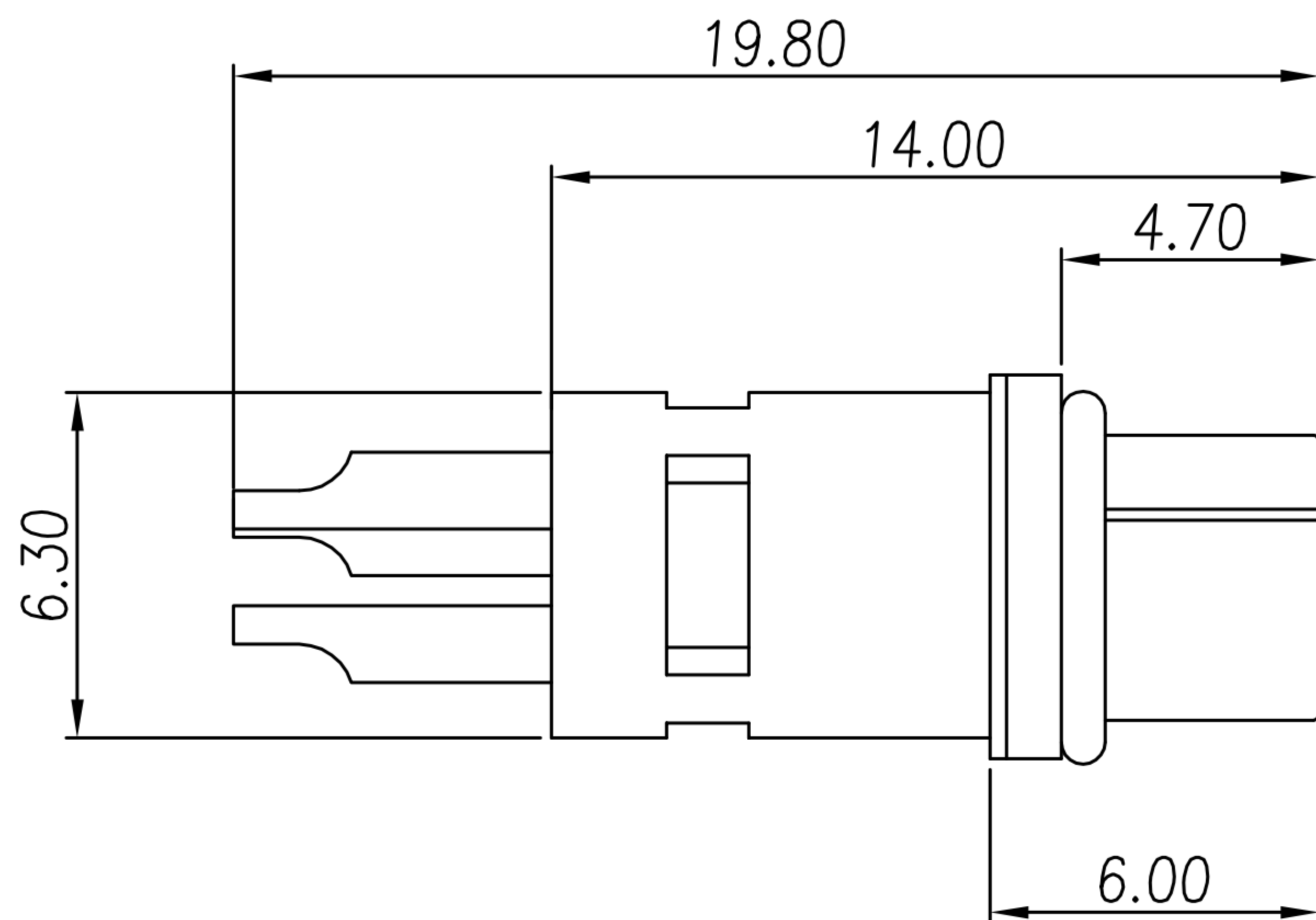


CUSTOMER DRAWING

REV.	DESCRIPTION	APPVL. BY	DATE	ECN NO.
△A	RELEASE	Fido Weng	17/03/15'	
△B	新增料號	KU	08/06/18'	
△C				



NOTE:

- MATERIAL :
 - 1-1. HOUSING : PBT UL94V-0 ; COLOR : BLACK
 - 1-2. CONTACT : BRASS.
 - 1-3. SHELL : BRASS.
 - 1-4. NUT : BRASS.
 - 1-5. O-RING : NBR.
- FINISH :
 - 2-1. CONTACT : 10 MICRO INCHES MIN. GOLD PLATING OVER NICKEL
 - 2-2. SHELL : SEE TABLE A
 - 2-3. NUT : NICKEL PLATED.
- ELECTRICAL SPECIFICATION :
 - 3-1. Rated current : 3A
 - 3-2. Rated Voltage : 30V
 - 3-3. Water proof : IP67/68
- Environmental :
 - 4-1. Operation Temperature : -40°C~105°C

TABLE A

△B WP-05F2-145-11	BRIGHT TIN 60u"~100u"
WP-05F2-101-11	NICKEL 60u" ~ 100u"
PART NO	FINISH

DRAWN	KU	APP'D	Ku Chou	UNIT	mm	TOLERANCE			TITLE	防水頭 M8 B-CODE-5PIN (F) 貝殼形焊線式			SHEET	1
CHK'D	Emily Suen			SCALE	1:1	.x ±0.20 .xx ±0.10 .xxx ±0.05 .xxxx ±0.03 ANGULA ±1°			PART NO.	SEE TABLE A	DWG NO.	QC7059	VERSION	B