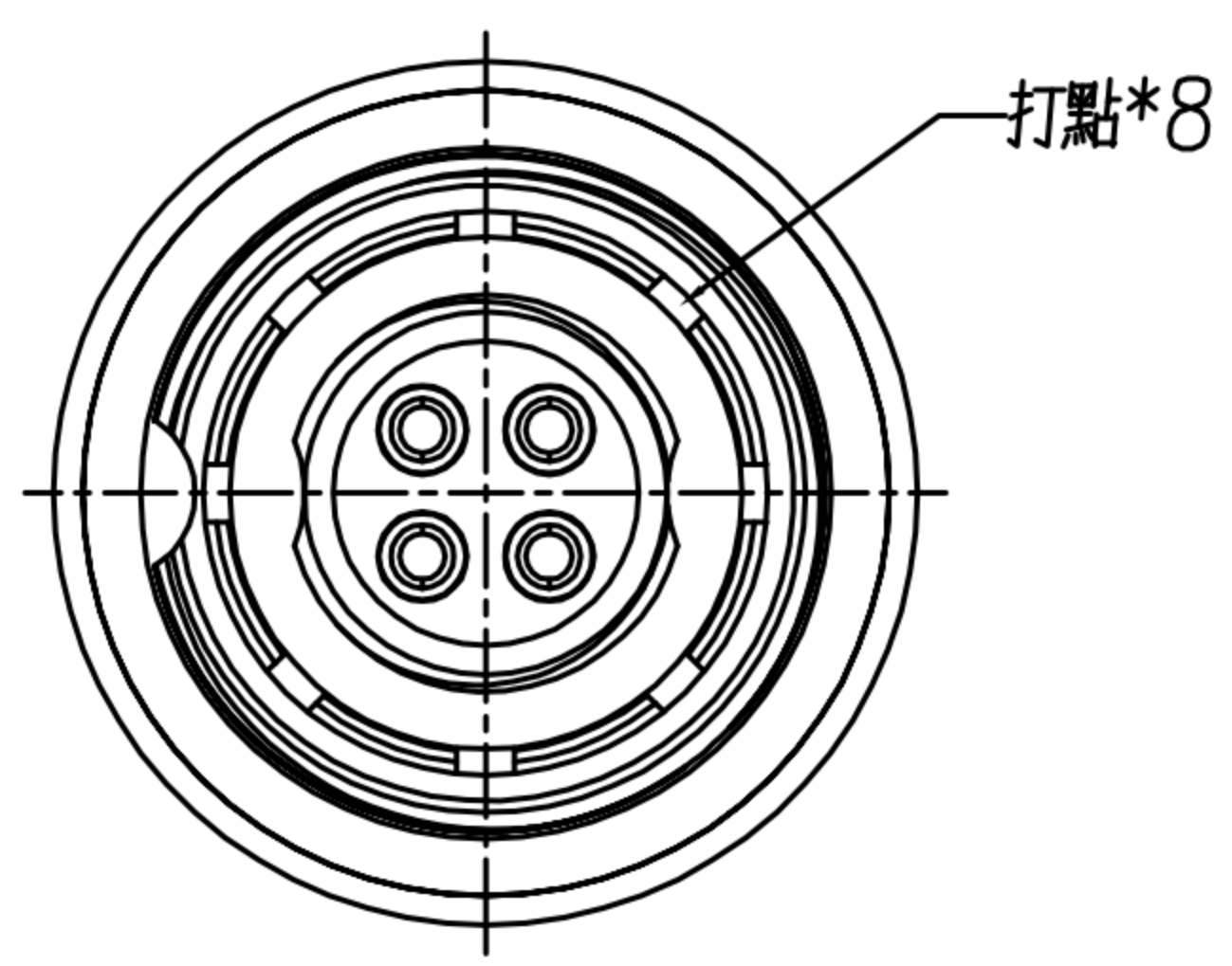
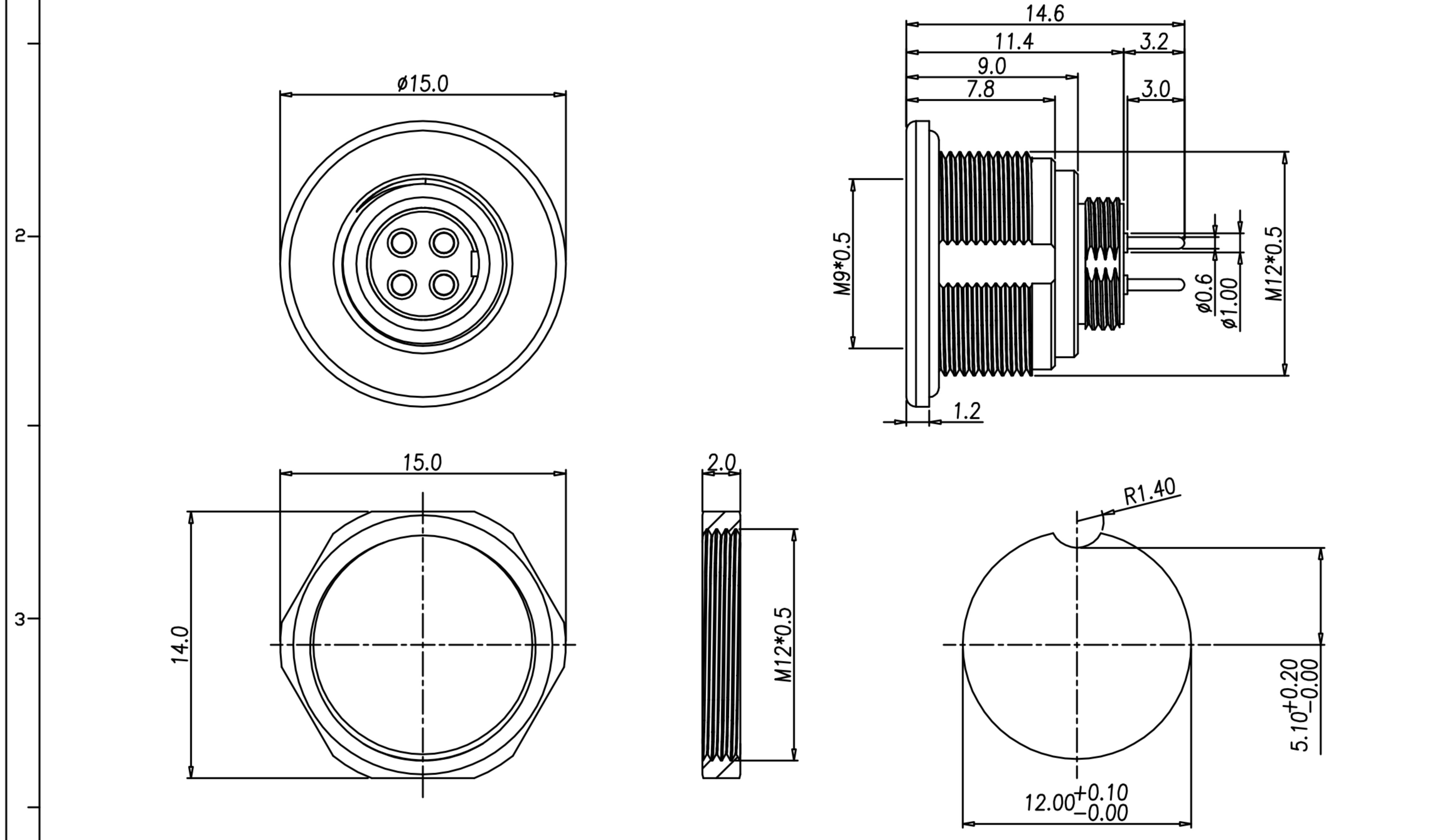


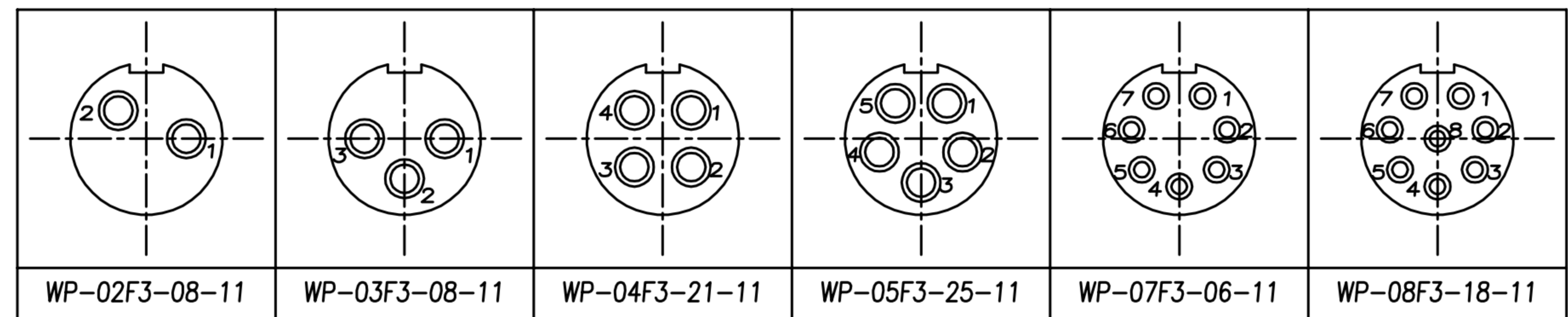
REV.	DESCRIPTION	APPVL. BY	DATE	ECN NO.
△	RELEASE	LED	21/07/22'	
△				
△				

CUSTOMER DRAWING



NUT

RECOMMEND PANEL CUT-OUT



- MATERIAL :
  - 1-1. HOUSING : PA UL94V-0 ; COLOR : BLACK
  - 1-2. CONTACT : BRASS.
  - 1-3. SHELL : BRASS.
  - 1-4. O-RING A : SILICONE ; COLOR : BLACK.
  - 1-5. O-RING B : EPDM ; COLOR : BLACK.
  - 1-6. NUT : BRASS
- FINISH :
  - 2-1. CONTACT : GOLD FLASH
  - 2-2. SHELL : NICKEL PLTAEED.
  - 2-3. NUT : NICKEL PLTAEED.
- ELECTRICAL SPECIFICATION :
  - 3-1. Rated current(40℃) : 2~3P 4A; 4~5P 3A; 7~8P 1A
  - 3-2. Rated Voltage : 125V
  - 3-3. Water proof : IP67
- Environmental :
  - 4-1. Operation Temperature : -40℃~85℃

DRAWN	LED	APP'D	Ku Chou	UNIT	mm	TOLERANCE			TITLE	M9 (F) M12*0.5 鍍金 DIP式			SHEET	1/2
CHK'D	Ku Chou			SCALE	1:1	ANGULA			±1°	PART NO.	SEE TABLE A	DWG NO.	QC10475	VERSION

广东科斯达电子科技有限公司  
GUANG DONG KE SI DA ELECTRONIC TECHNOLOGY CO., LTD.