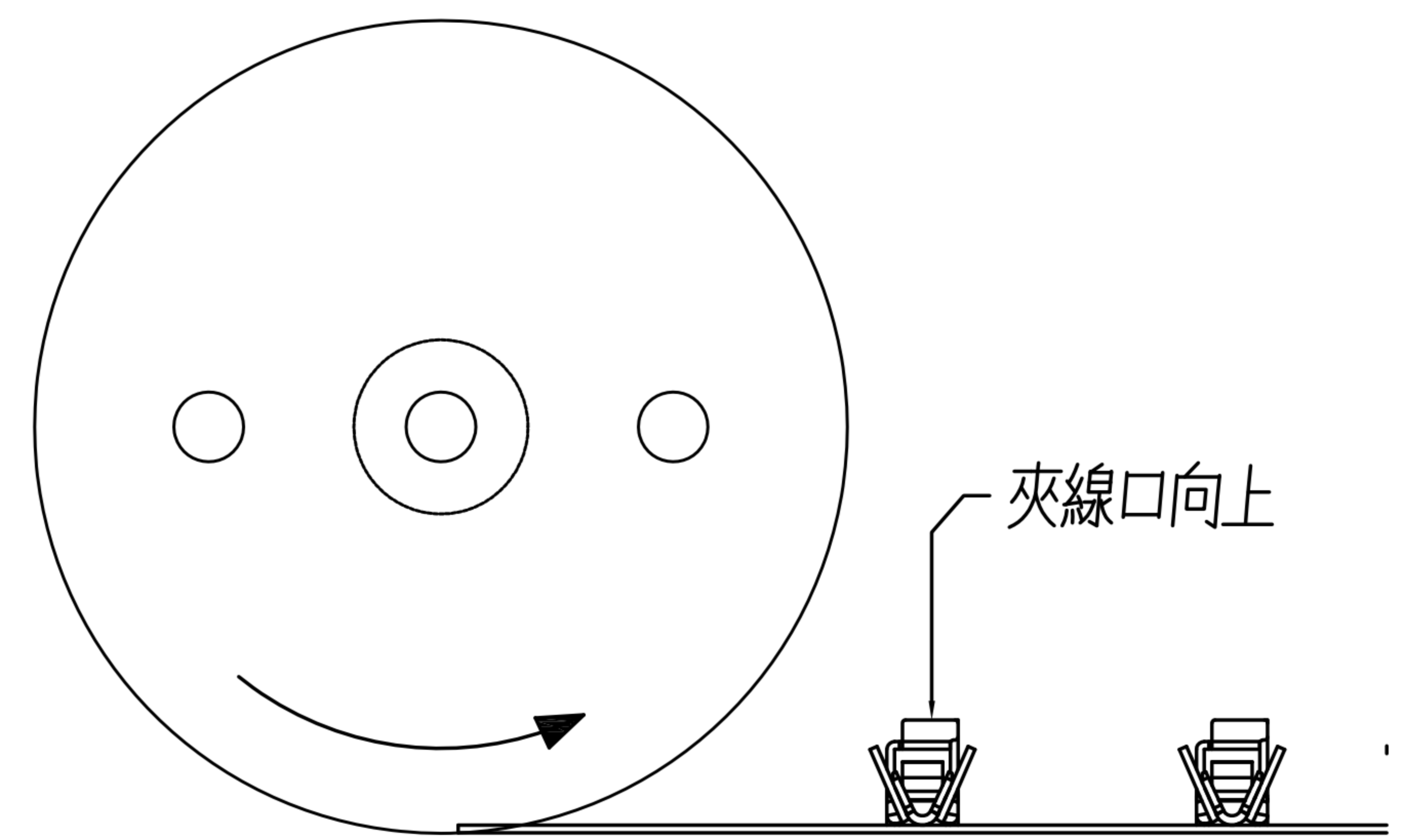
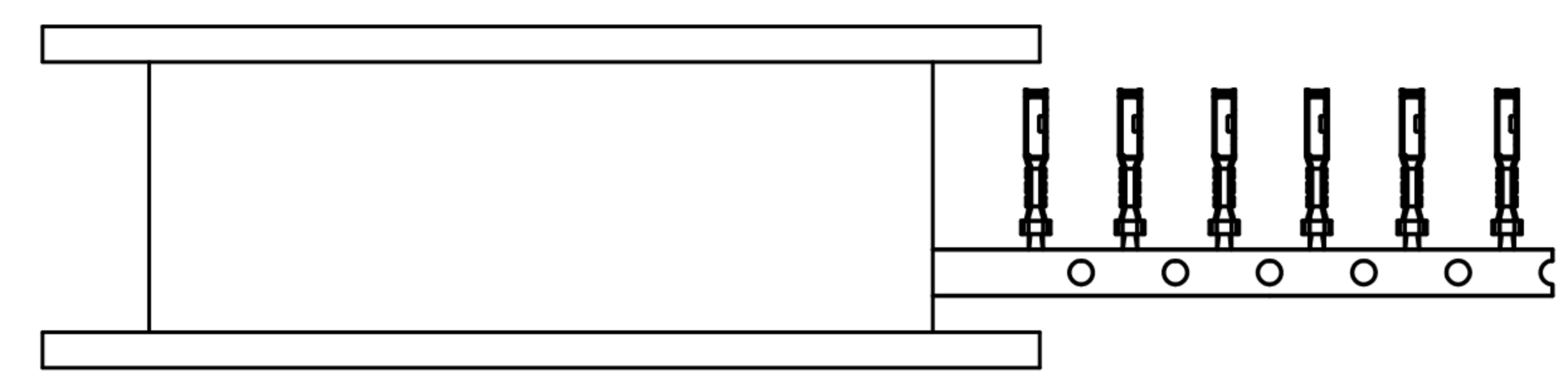
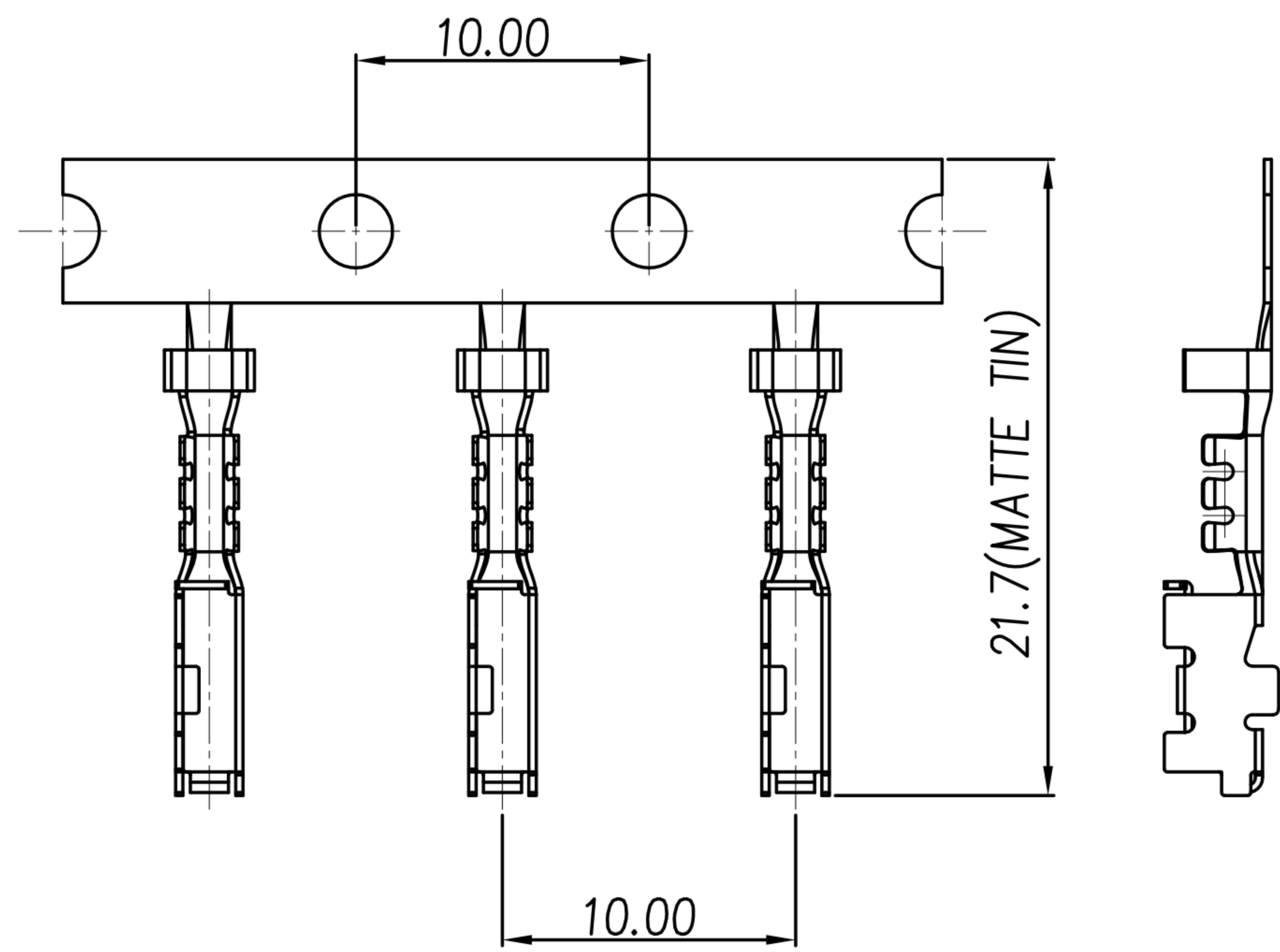


CUSTOMER DRAWING

REV.	DESCRIPTION	APPROVED BY	DATE	ECN NO.
△A	RELEASE	Yeh Chou	2017/xx/xx	
△B				
△C				
△D				



NOTE/備註:

- 1. MATERIAL/材質: PHOSPHOR BRONZE/磷青銅
- 2. FINISH/後處理: SEE TABLE A/見表A  
UNDER PLATE: NICKEL.

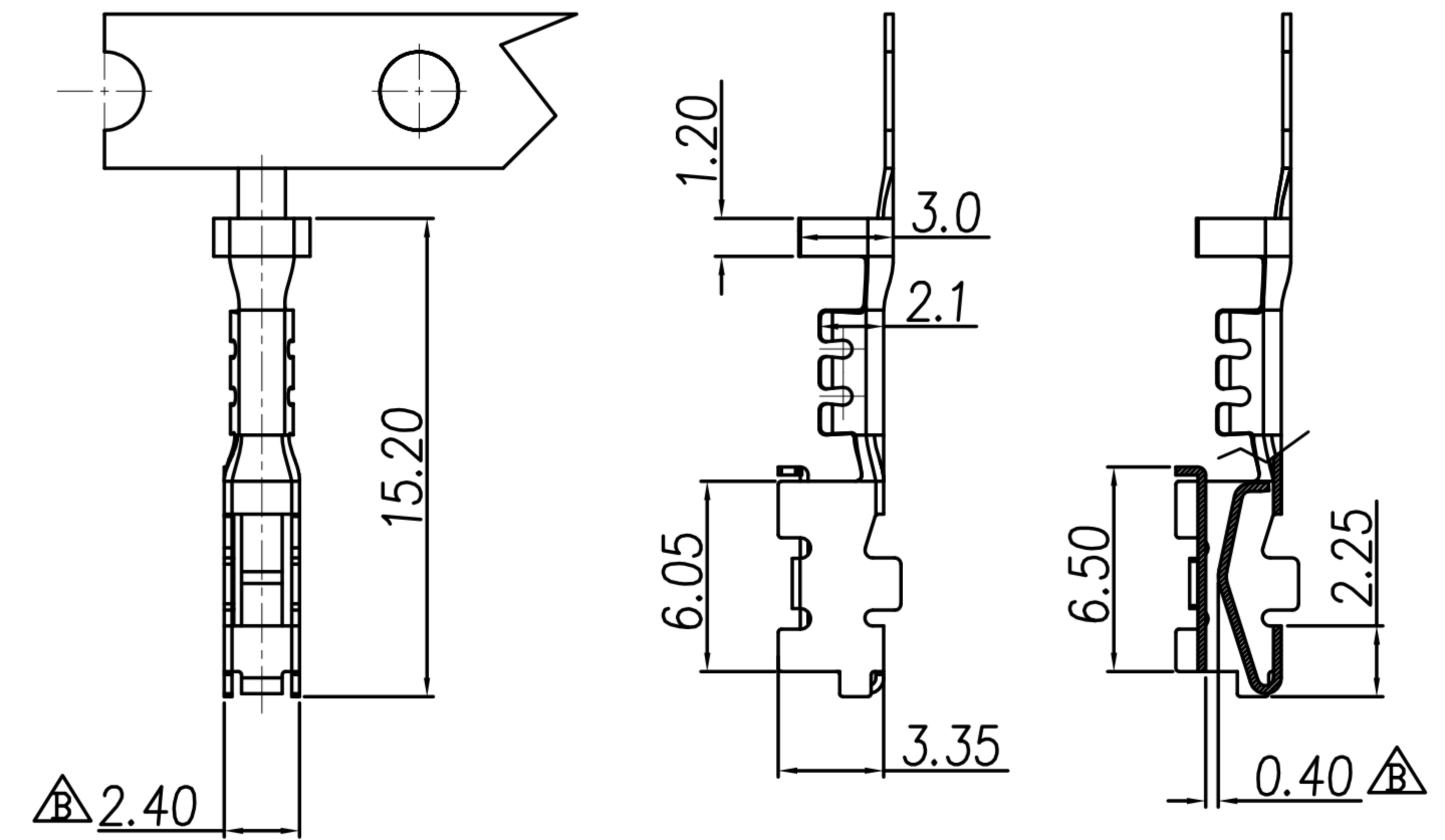
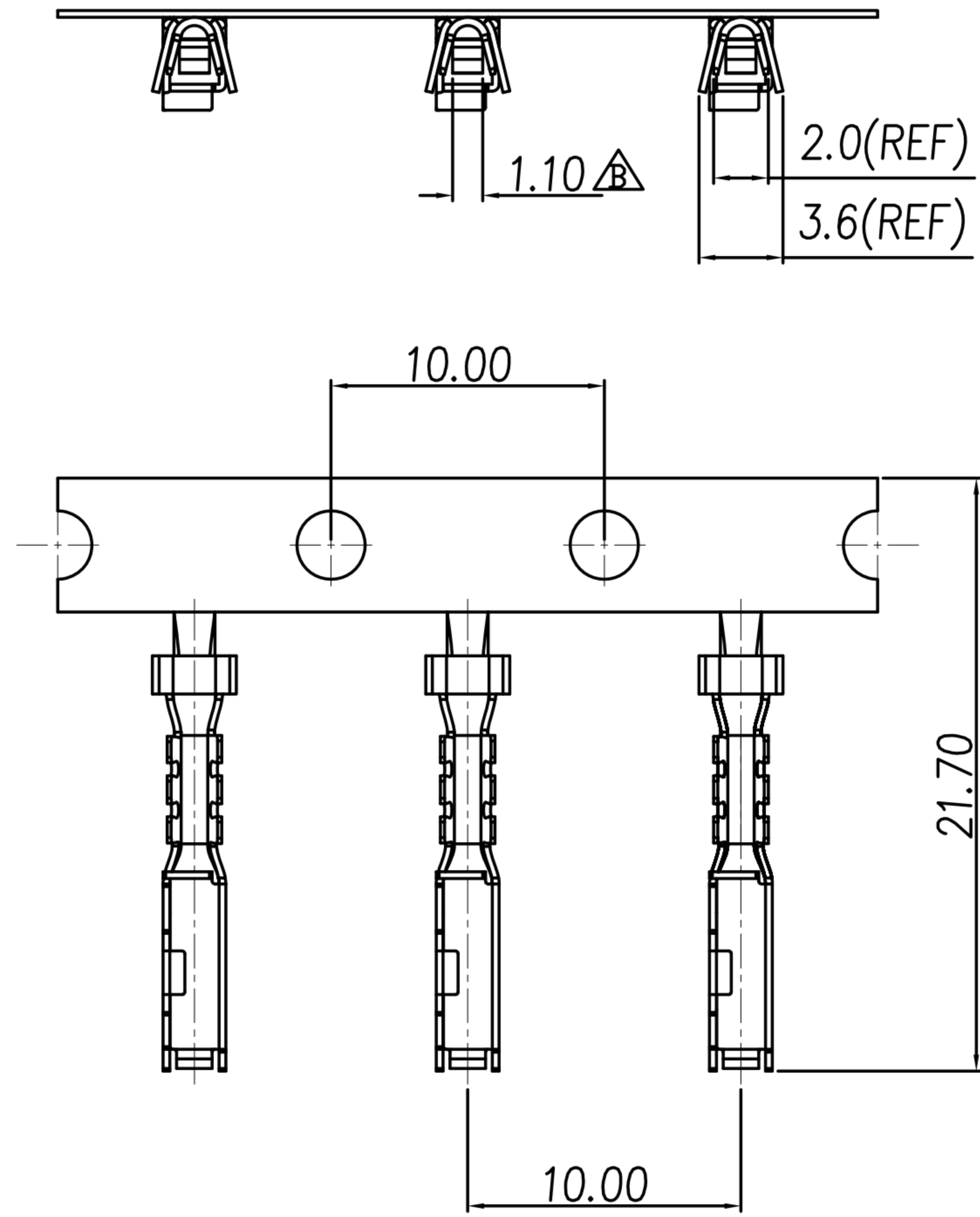
TABLE A

OY-TE0250	MATTE TIN 60u"~100u" OVER ALL
OY-TE1250	SOURCE MATERIAL/素材

DRAWN	Yeh Chou	APPVL	Ku Chou	UNIT	mm	TOLERANCE			TITLE	OBD2 16POS RECEPTACLE, TERMINAL			SHEET	
CHK'D	Emily Suen			SCALE	1:1	.x ±0.20 .xx ±0.10 .xxx ±0.05 .xxxx ±0.03 ANGULA ±1°			PART NO.	SEE TABLE A	DWG NO.	QC3794	VERSION	

CUSTOMER DRAWING

REV.	DESCRIPTION	APPROVED BY	DATE	ECN NO.
△A	RELEASE	Yeh Chou	2017/xx/xx	
△B	尺寸變更	Yeh Chou		
△C				
△D				



NOTE/備註

- MATERIAL/材質 : PHOSPHOR BRONZE/磷青銅
- FINISH/後處理 : SEE TABLE A/見表  
UNDER PLATE: NICKEL.

TABLE A

OY-TE0250	MATTE TIN 60u"~100u" OVER ALL
OY-TE1250	SOURCE MATERIAL/素材

DRAWN	Yeh Chou	APPVL	Ku Chou	UNIT	mm	TOLERANCE		广东科斯达电子科技有限公司 GUANG DONG KE SI DA ELECTRONIC TECHNOLOGY CO., LTD.	TITLE	OBD2 16POS RECEPTACLE, TERMINAL			SHEET	1/2
CHK'D	Emily Suen			SCALE	1:1	.x ±0.20 .xx ±0.10 .xxx ±0.05 .xxxx ±0.03 ANGULA ±1°			PART NO.	SEE TABLE A	DWG NO.	QC3794	VERSION	B