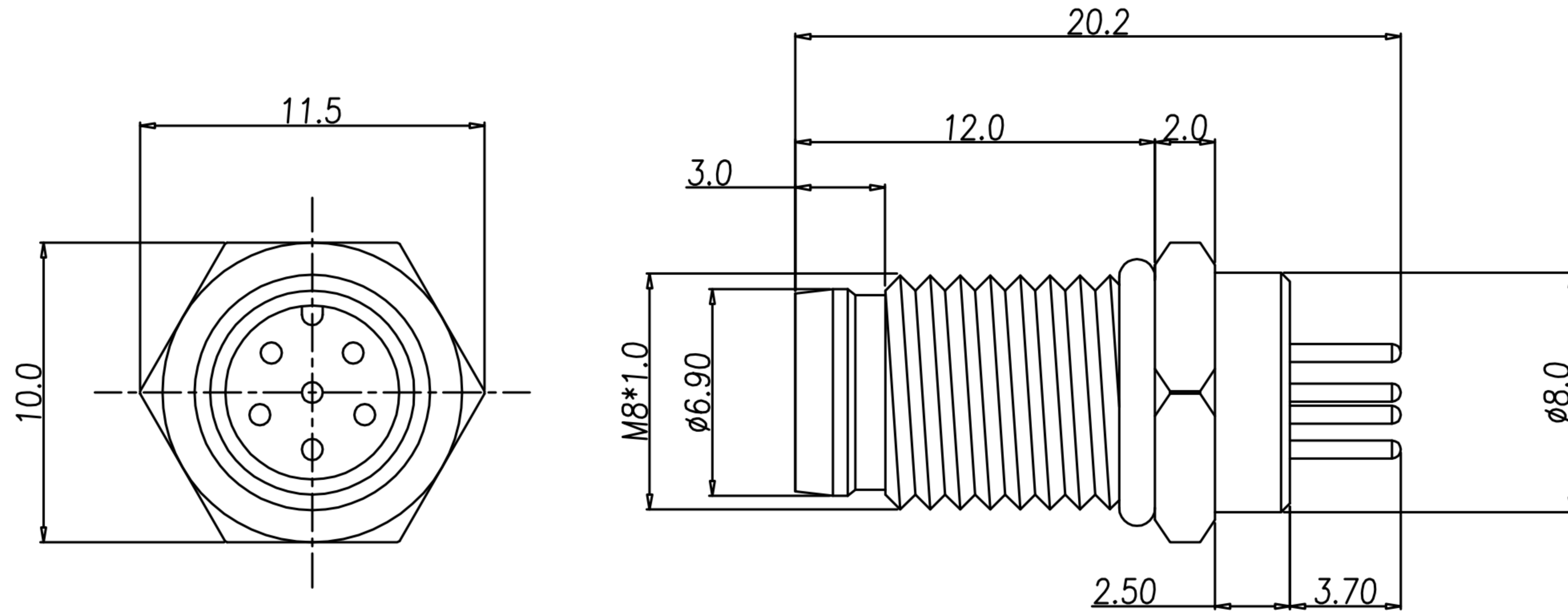


CUSTOMER DRAWING

REV.	DESCRIPTION	APPROVED BY	DATE	ECN NO.
△A	RELEASE	Emily Suen	05/10/15'	
△B				
△C				



- MATERIAL :
 - 1-1. HOUSING : PA ; COLOR : BLACK
 - 1-2. CONTACT : BRASS.
 - 1-3. SHELL : BRASS
 - 1-4. O-RING : NBR ; COLOR : BLACK
 - 1-5. NUT : BRASS.
- FINISH :
 - 2-1. CONTACT : SEE TABLE A
 - 2-2. SHELL : NICKEL PLATED.
 - 2-3. NUT : NICKEL PLATED.
- ELECTRICAL SPECIFICATION :
 - 3-1. Rated current : 2A
 - 3-2. Rated voltage : 30V
 - 3-3. Water proof : IP67
- Environmental :
 - 4-1. Operation Temperature : -40℃~105℃

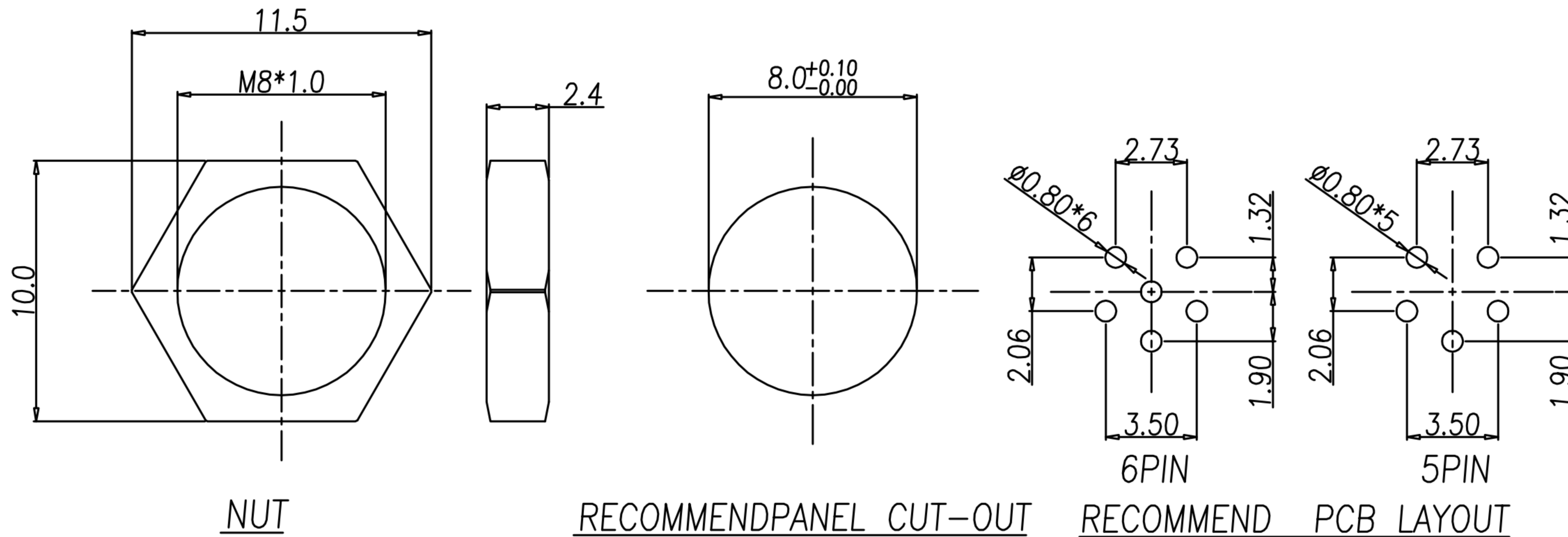


TABLE A

6PIN		5PIN	
WP-06M3-07-11 WP-06M3-02-11		WP-05M3-14-11 WP-05M3-04-11	
WP-06M3-07-11	GOLD FLASH		
WP-05M3-14-11	GOLD FLASH		
WP-06M3-02-11	GOLD 10u"		
WP-05M3-04-11	GOLD 10u"		
PART NO	FINISH		

DRAWN	Ku Chou	APPEND	Emily Suen	UNIT	mm	TOLERANCE			广东科斯达电子科技有限公司 GUANG DONG KE SI DA ELECTRONIC TECHNOLOGY CO., LTD.	TITLE	防水頭 M8 (M) 前鎖板M8*1.0 DIP式			SHEET	1
CHKED	Emily Suen			SCALE	1:1					PART NO.	SEE TABLE A	DWG NO.	QC8198	VERSION	A