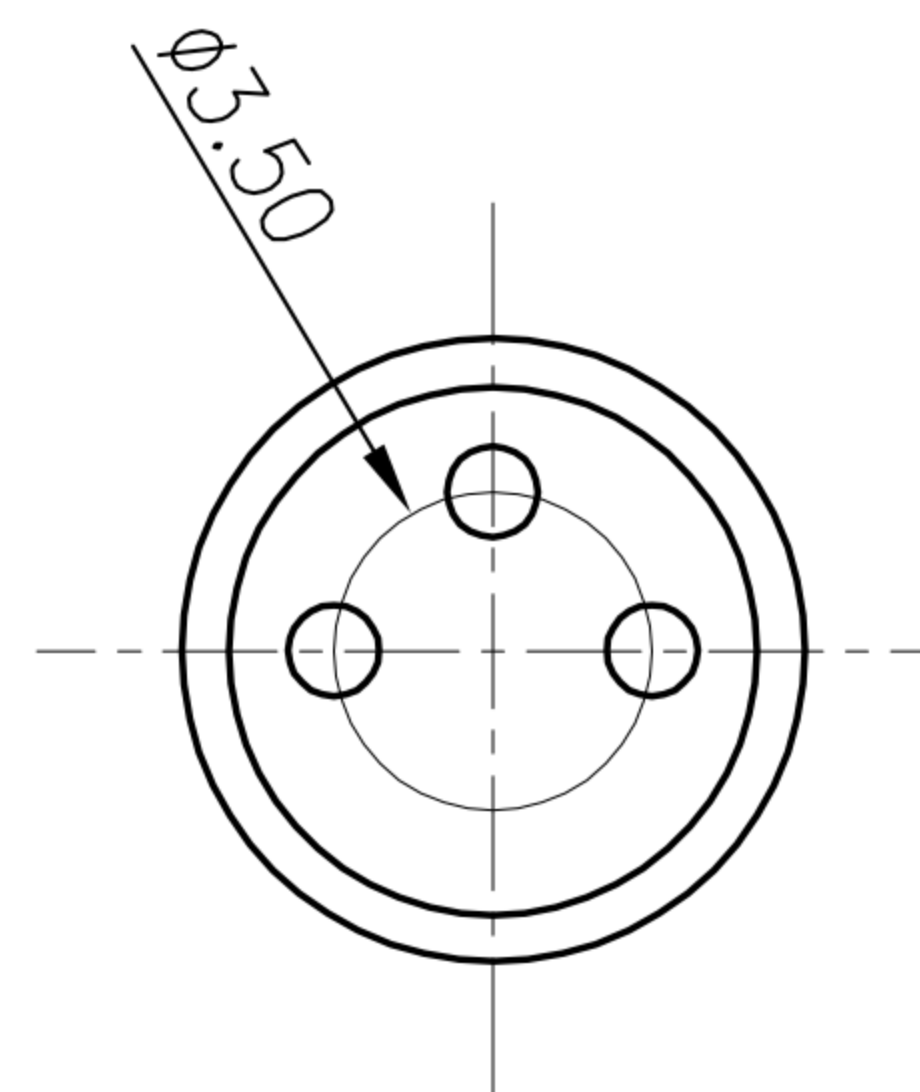
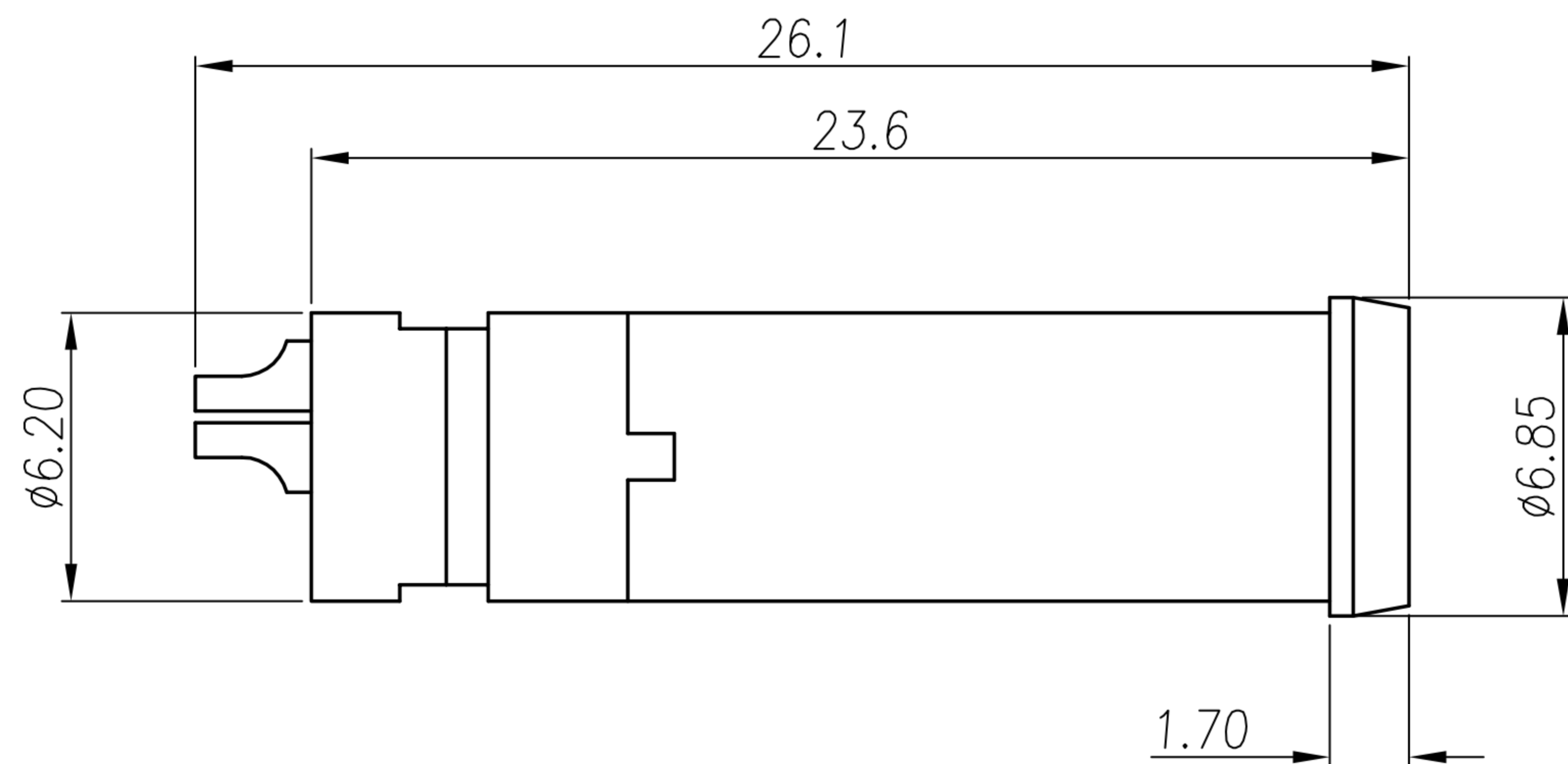


CUSTOMER DRAWING

REV.	DESCRIPTION	APPVL. BY	DATE	ECN NO.
A	RELEASE	Fido Weng	22/12/08*	
B	Add P/N	Fido Weng	06/08/13*	
C				

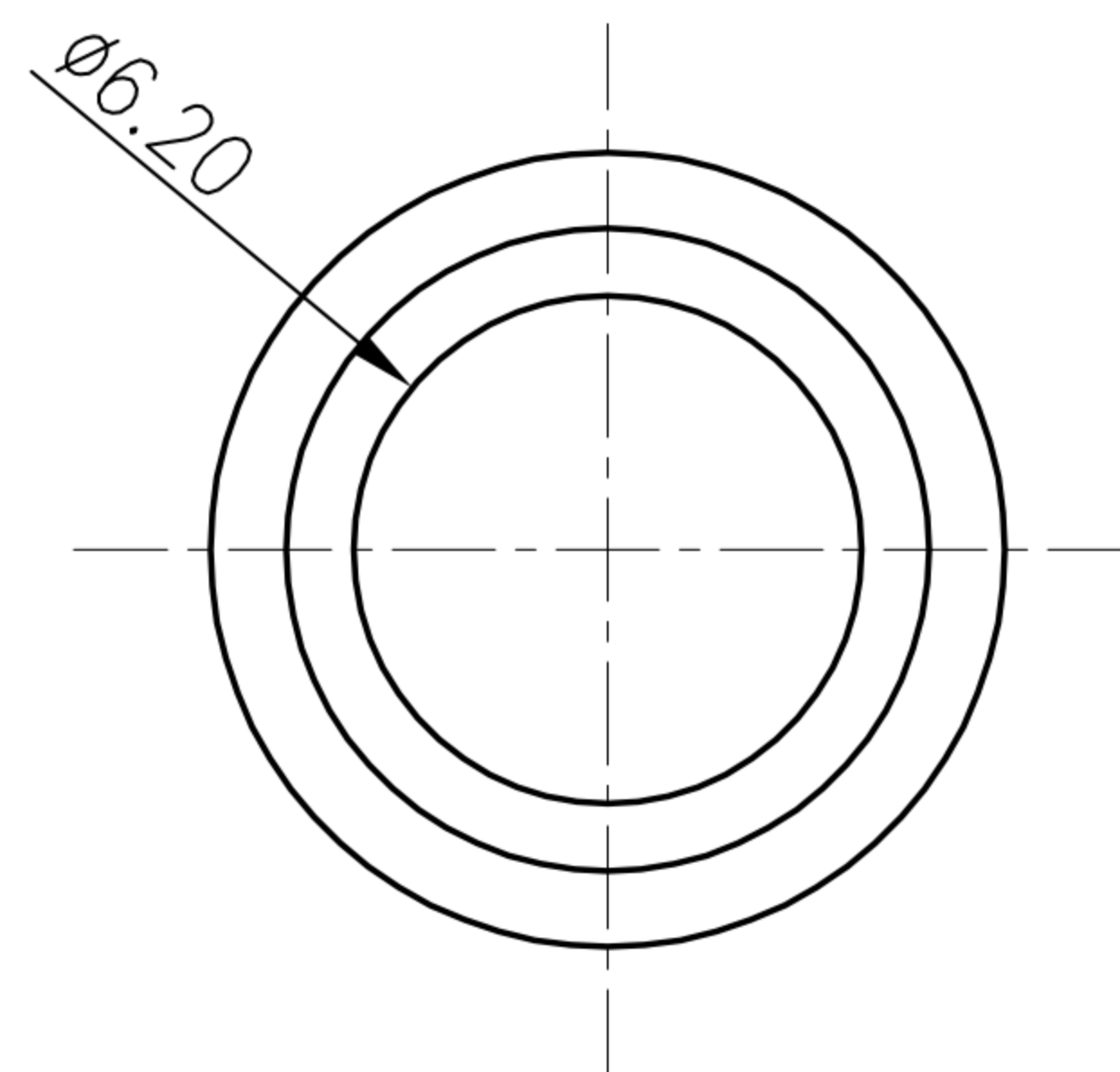
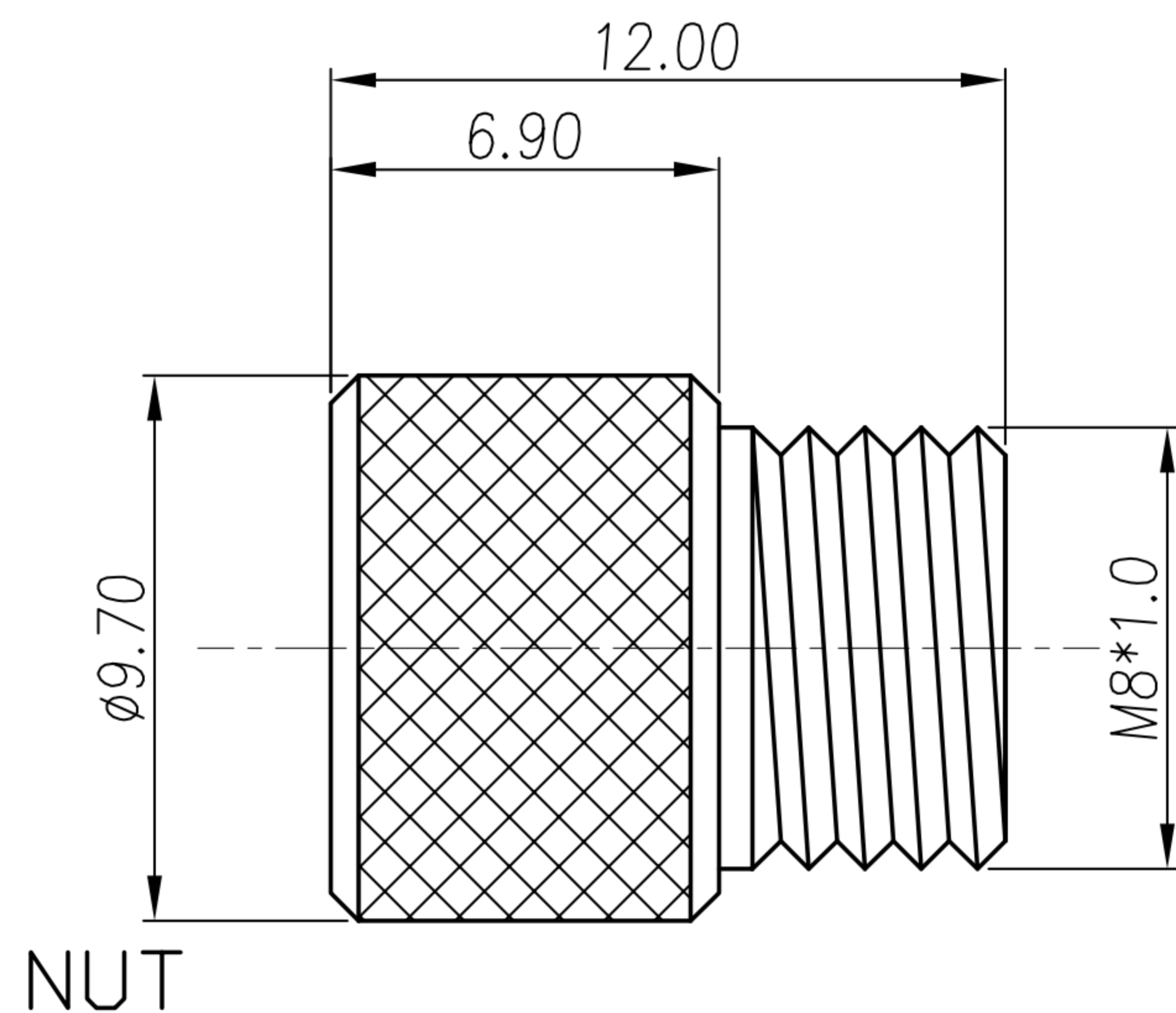


NOTE:

- MATERIAL :
 - 1-1. HOUSING : PBT UL94V-0 ; COLOR : BLACK
 - 1-2. CONTACT : BRASS
 - 1-3. SHELL : BRASS
 - 1-4. NUT : BRASS.
- FINISH :
 - 2-1. CONTACT : SEE TABLE A
 - 2-2. SHELL : NICKEL PLATED.
 - 2-2. NUT : NICKEL PLATED.
- ELECTRICAL SPECIFICATION :
 - 3-1. Rated current : 3A
 - 3-2. Rated voltage : 125V
 - 3-3. Water proof: IPX7
- Environmental :
 - 4-1. Operation Temperature : -40℃~85℃

TABLE A

Diagram	Part No	Finish
	WP-04M2-86-11	GOLD FLASH
	WP-03M2-32	
	WP-02M2-25-11	GOLD FLASH
	WP-03M2-73-11	
	WP-04M2-140-11	GOLD 10u"
	WP-03M2-73-11	
	WP-04M2-86-11	GOLD 10u"
	WP-03M2-73-11	
	WP-04M2-140-11	
	PART NO	FINISH



DRAW	Ku Chou	APPVL	Emily Suen	UNIT	mm	TOLERANCE		广东科斯达电子科技有限公司 GUANG DONG KE SI DA ELECTRONIC TECHNOLOGY CO., LTD.	TITLE	M8 (M) 加长型焊锡式			SHEET	1
CHECK	Emily Suen			SCALE	1:1	.x ±0.20 .xx ±0.10 .xxx ±0.05 .xxxx ±0.03 ANGULA ±1°			PART NO.	SEE TABLE A	DWG NO.	QC5874	VERSION	