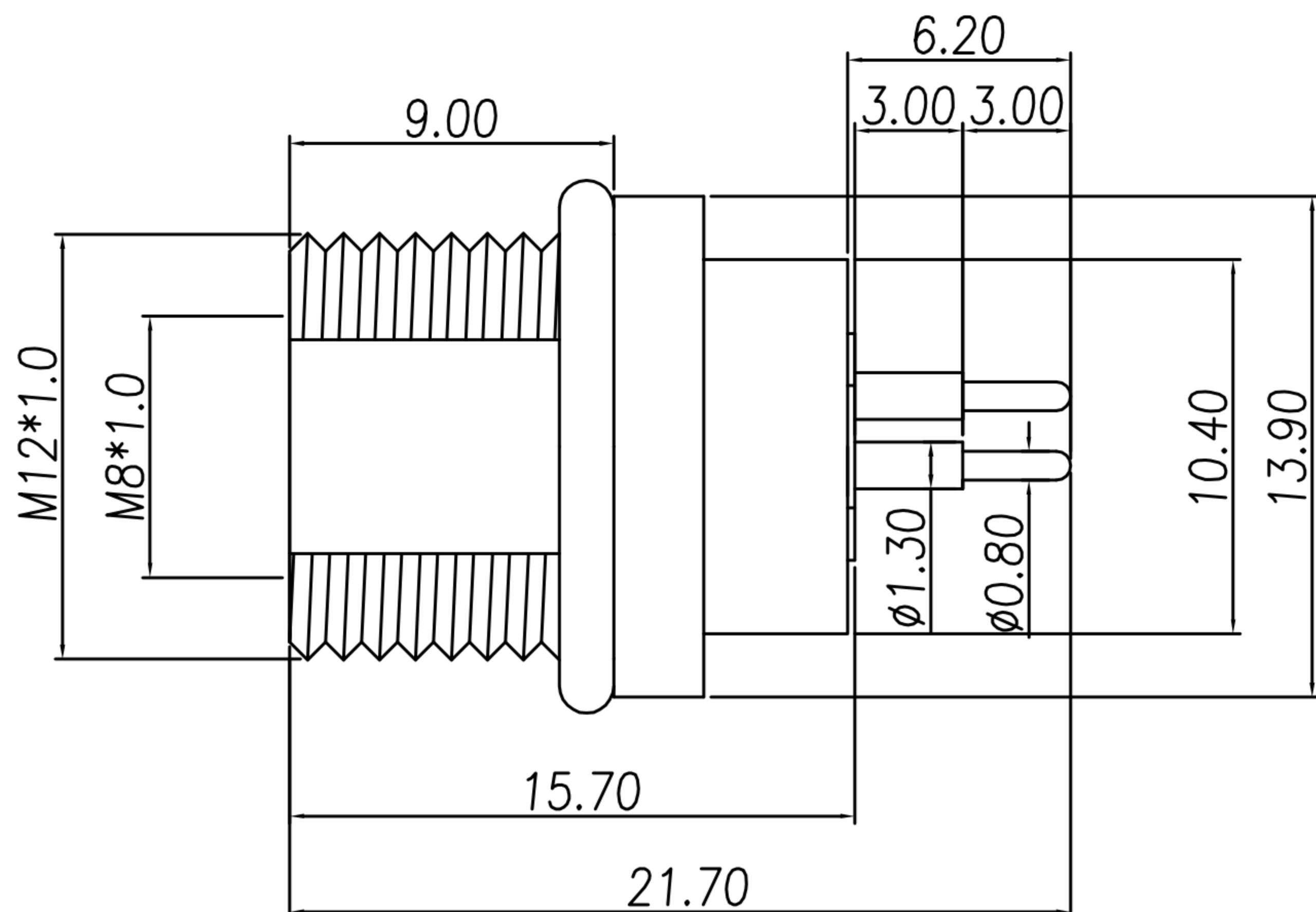
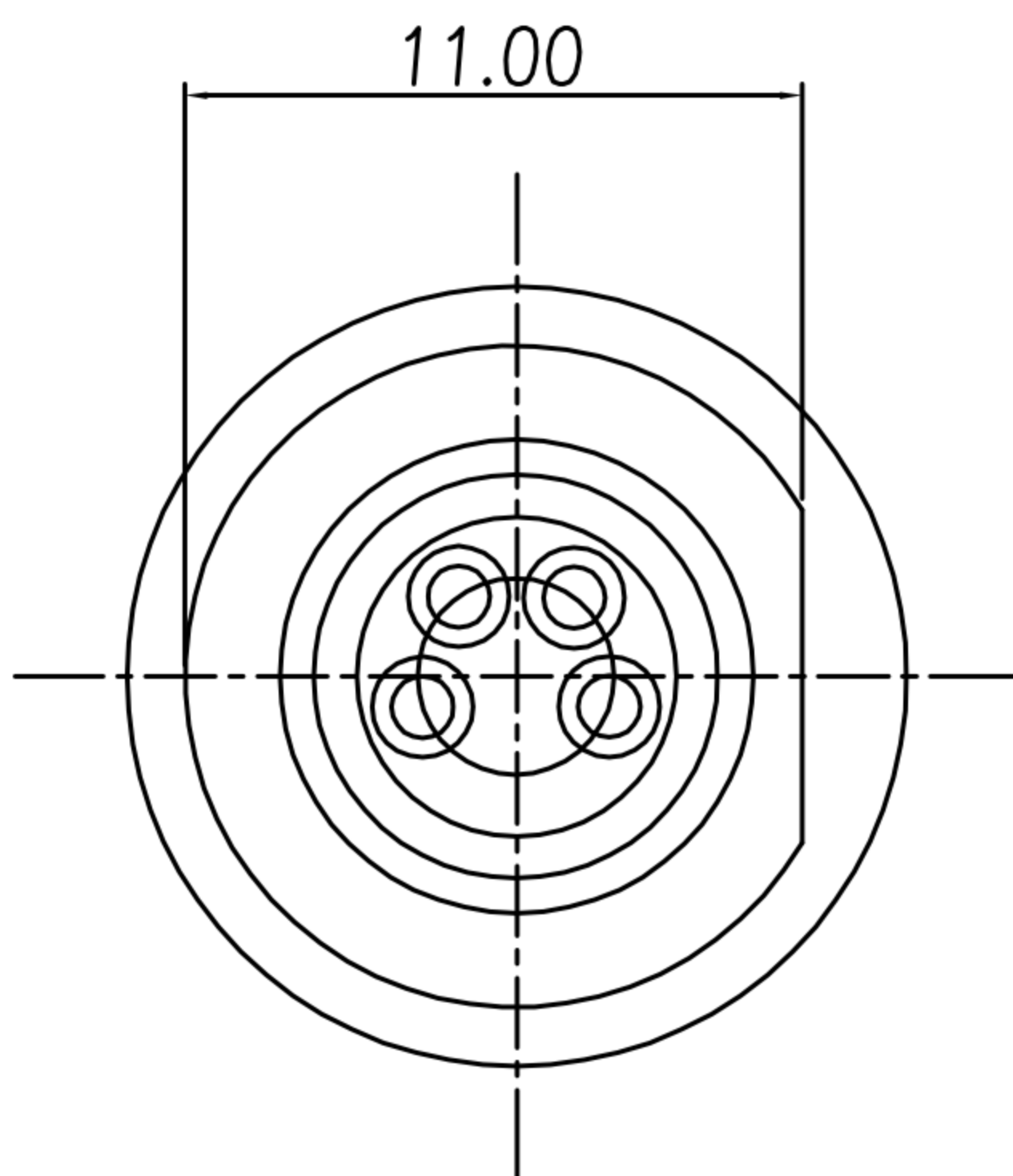
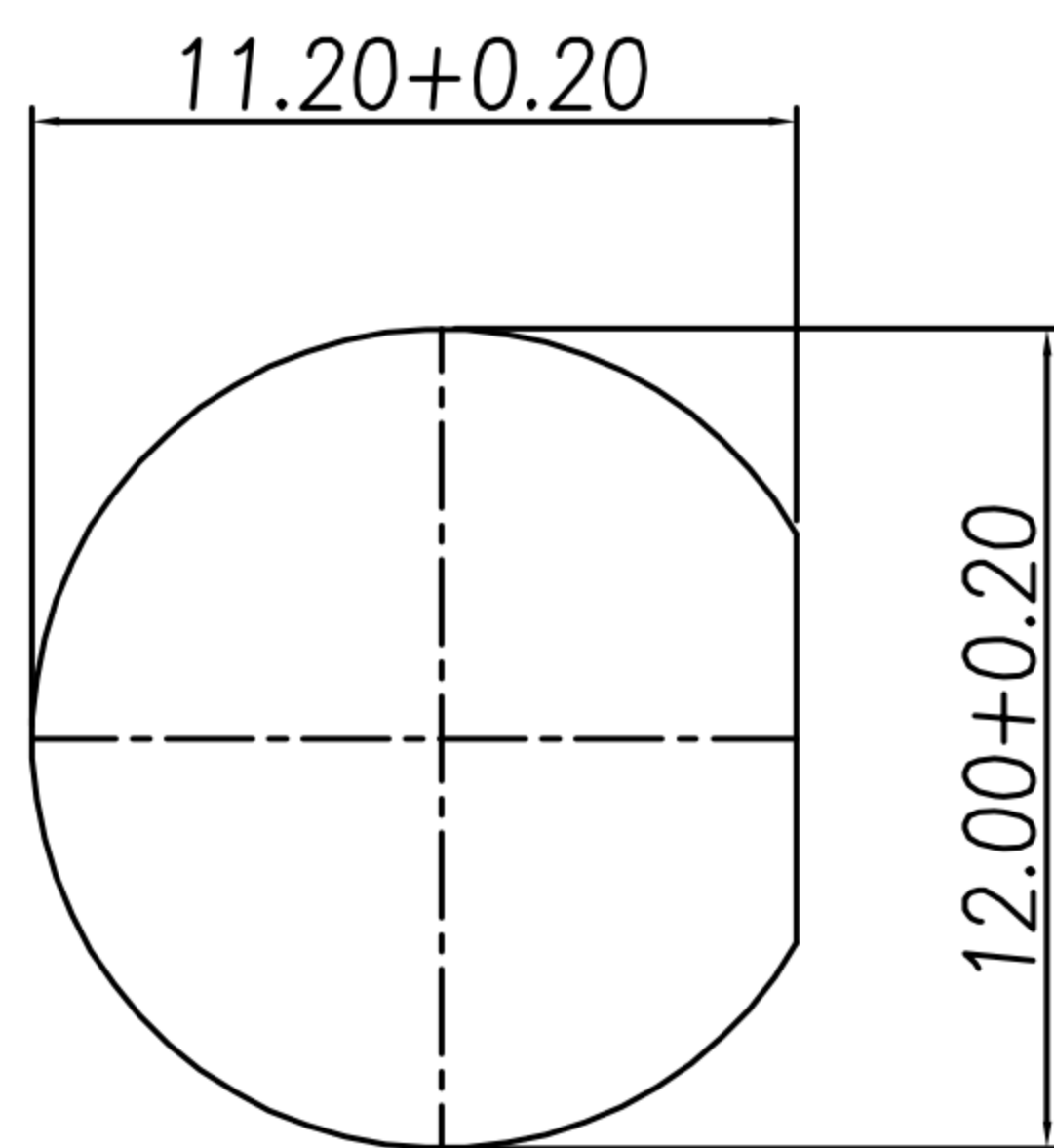


CUSTOMER DRAWING

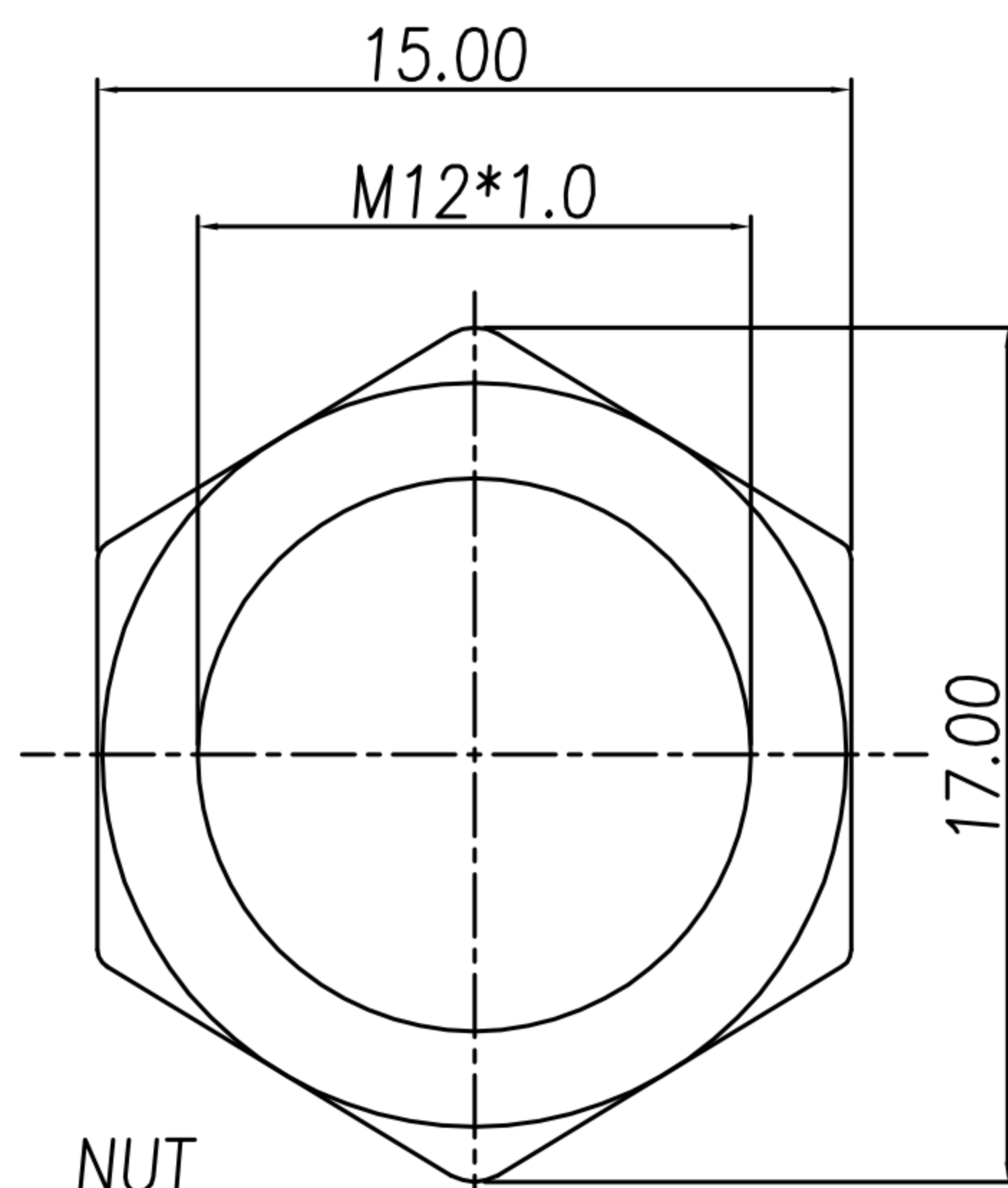
REV.	DESCRIPTION	APPVL. BY	DATE	ECN NO.
△A	RELEASE	Fido Weng	12/02/09*	
△B	MODIFY PCB LAYOUT	Ku Chou	31/05/19*	
△C				



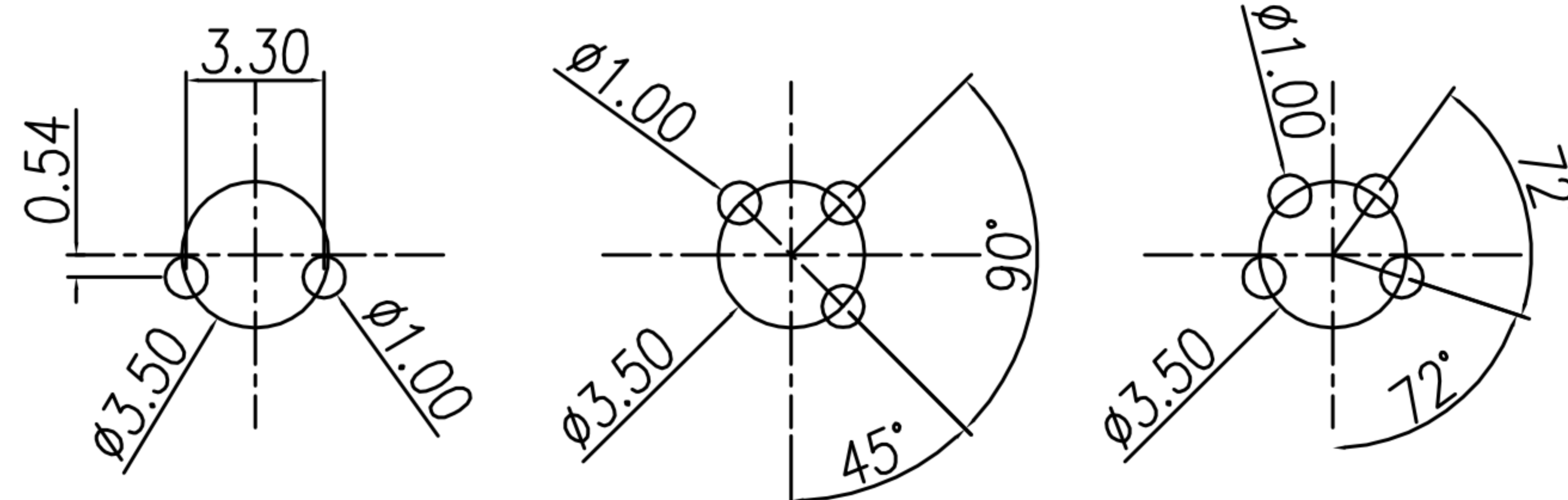
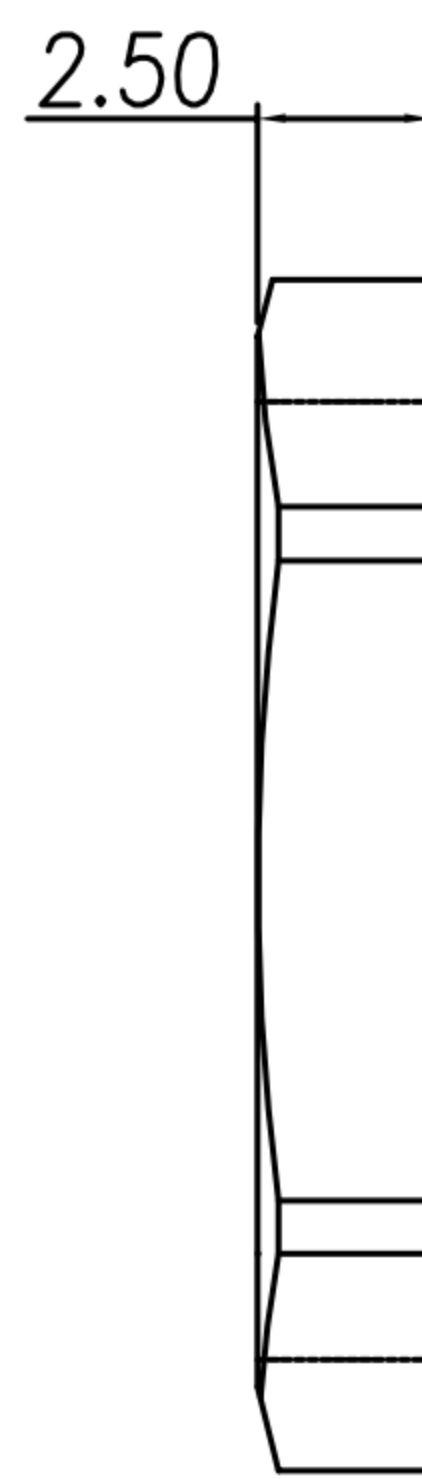
- NOTE.
- MATERIAL :
    - 1-1. HOUSING : PBT UL94V-0 ; COLOR : BLACK
    - 1-2. CONTACT : BRASS
    - 1-3. SHELL : BRASS
    - 1-4. O-RING : NBR ; COLOR : BLACK
    - 1-5. NUT : BRASS
  - FINISH :
    - 2-1. CONTACT : CONTACT AREA : 10 MICRO INCHES MIN. GOLD PLATED UNDER PLATE : NICKEL
    - 2-2. SHELL : NICKEL PLATED.
    - 2-3. NUT : NICKEL PLATED.
  - ELETRICAL SPECICATION :
    - 3-1. Rated current : 4A
    - 3-2. Rated Voltage : 60V
    - 3-3. Water proof : IPX7
  - Environmental :
    - 4-1. Operation Temperature : -20℃~85℃



PANEL CUT-OUT



NUT



△B RECOMMEND PCB LAYOUT

TABLE A

WP-02F2-07	WP-03F2-15	WP-04F2-173-11

DRAW	Ku Chou	APPVL	Emily Suen	UNIT	mm	TOLERANCE			TITLE	M8 (F) 插式			SHEET	1
CHECK	Emily Suen			SCALE	1:1				PART NO.	SEE TABLE A	DWG NO.	QC4043	VERSION	B

广东科斯达电子科技有限公司  
GUANG DONG KE SI DA ELECTRONIC TECHNOLOGY CO., LTD.