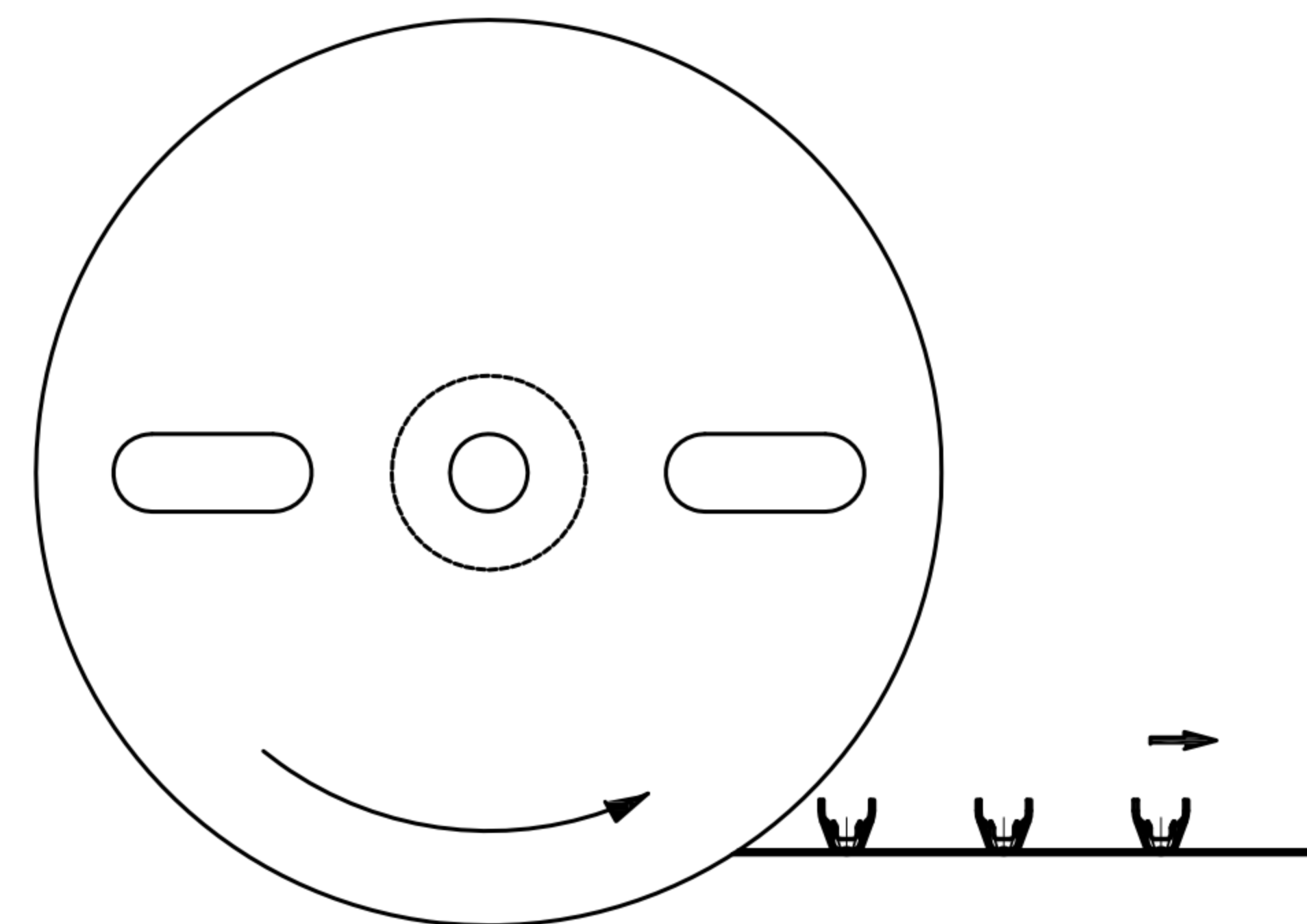
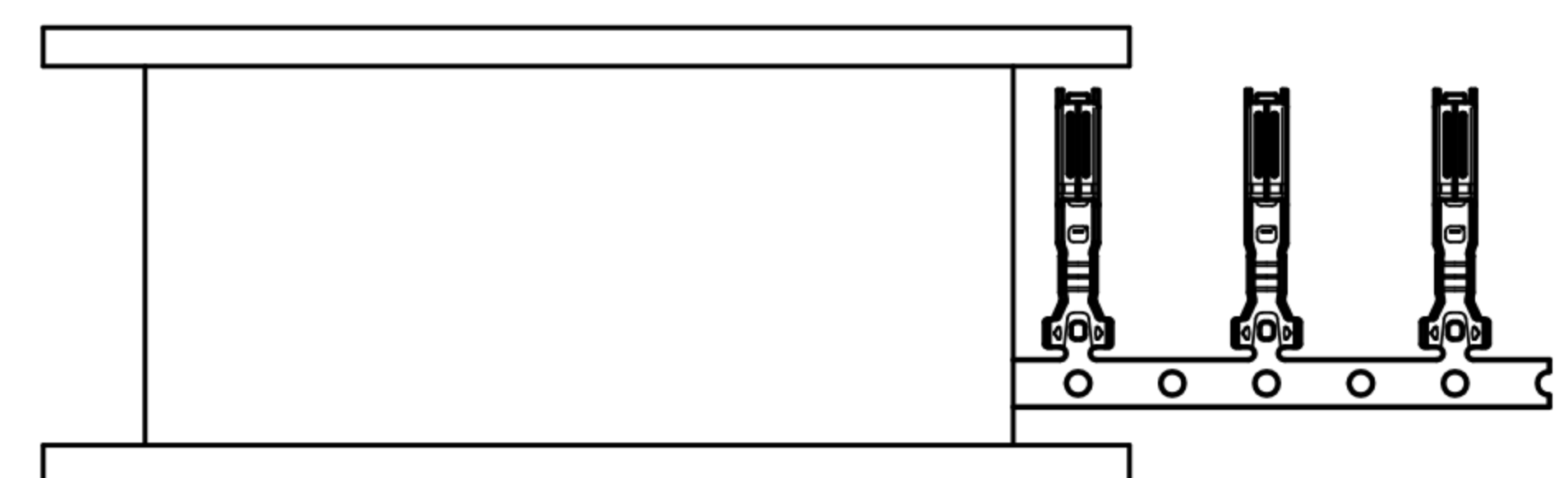
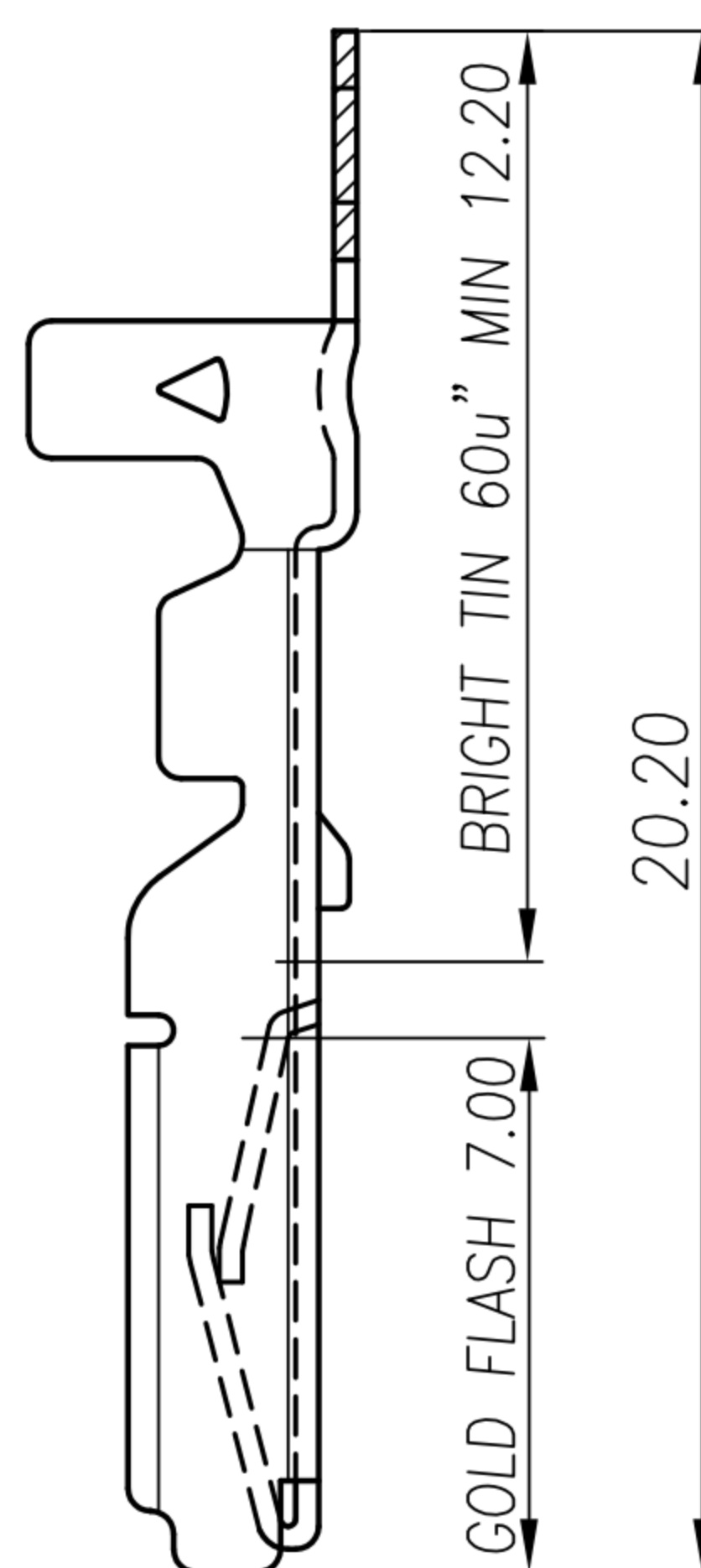
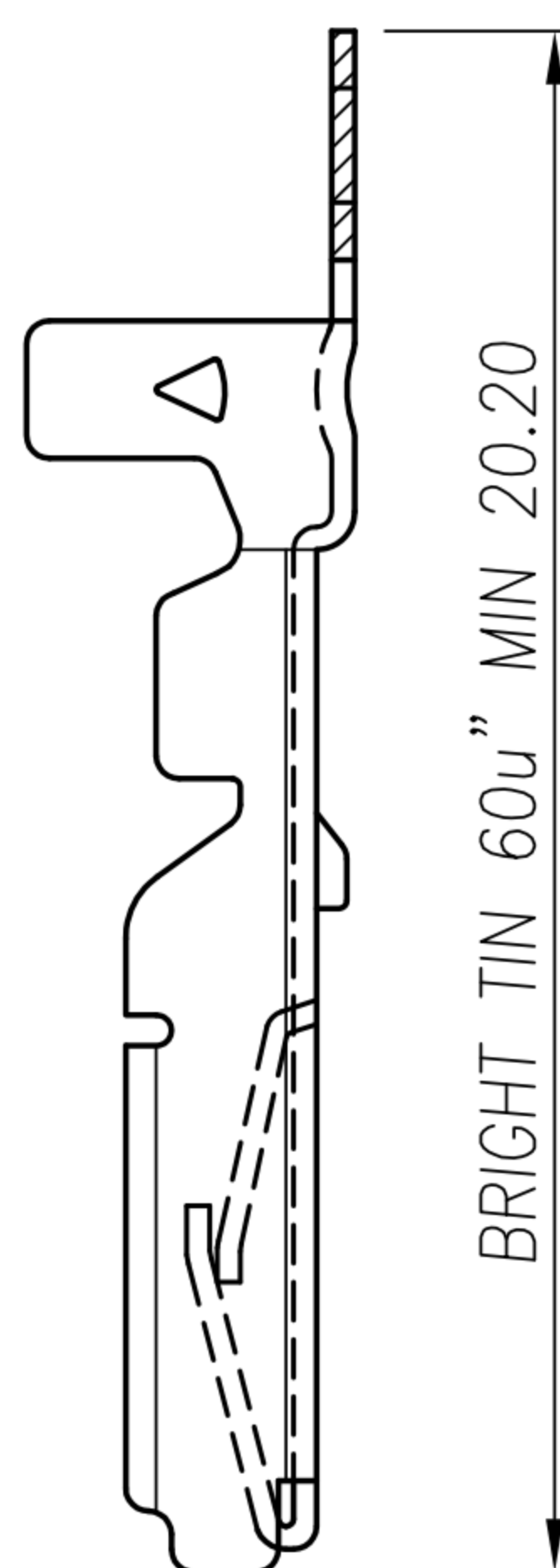
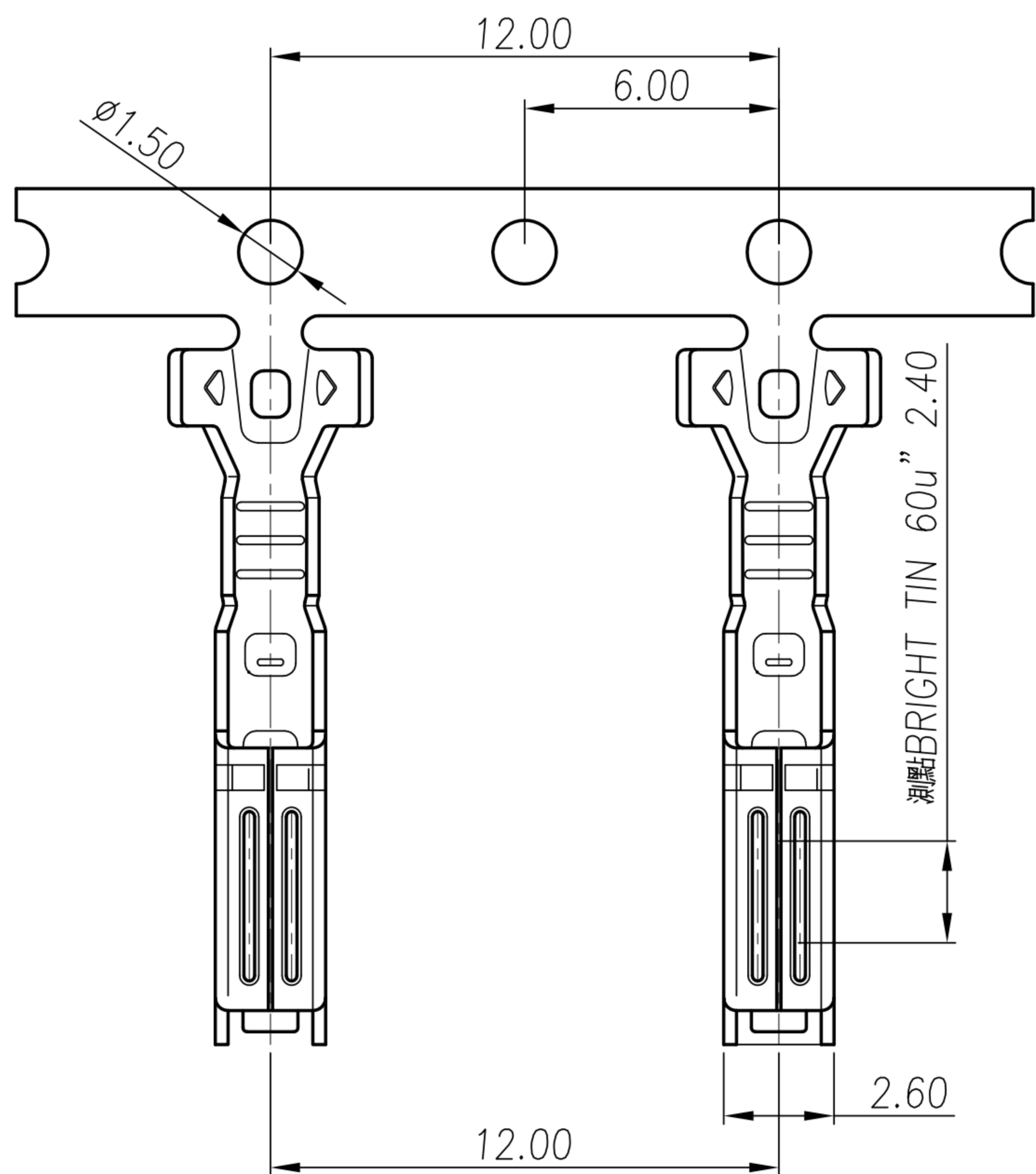


CUSTOMER DRAWING

REV.	DESCRIPTION	CHANGE BY	APPVL. BY	DATE	ECN NO.
△A	RELEASE	JEN	Fido Wang	10/12/08*	ECN08019
△B					
△C					



PULL OUT DIRECTION

NOTE:
 1. MATERIAL: BRASS T=0.30mm
 2. PLATING: SEE TABLE A
 NICKEL OVER ALL 60u" MIN

△B TABLE A

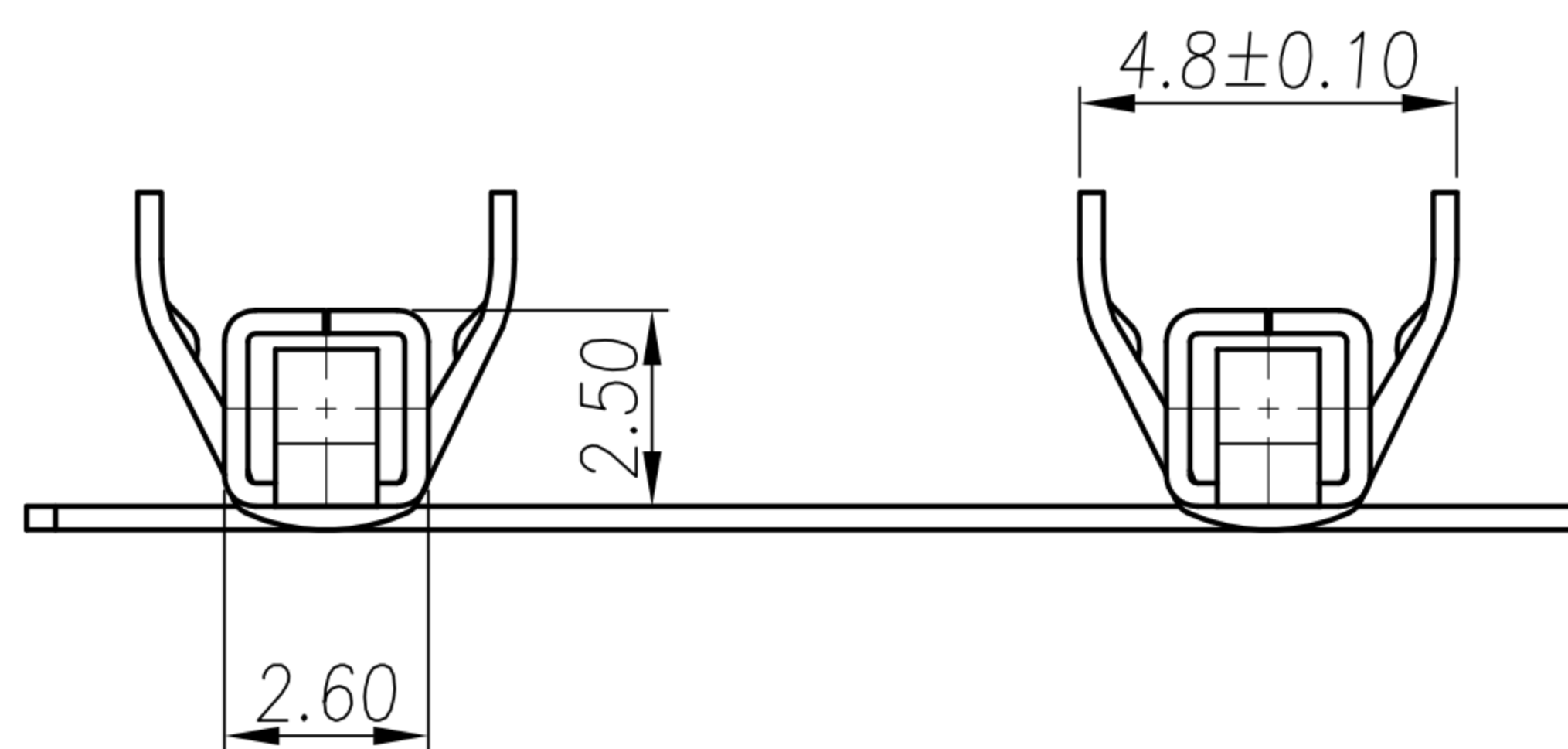
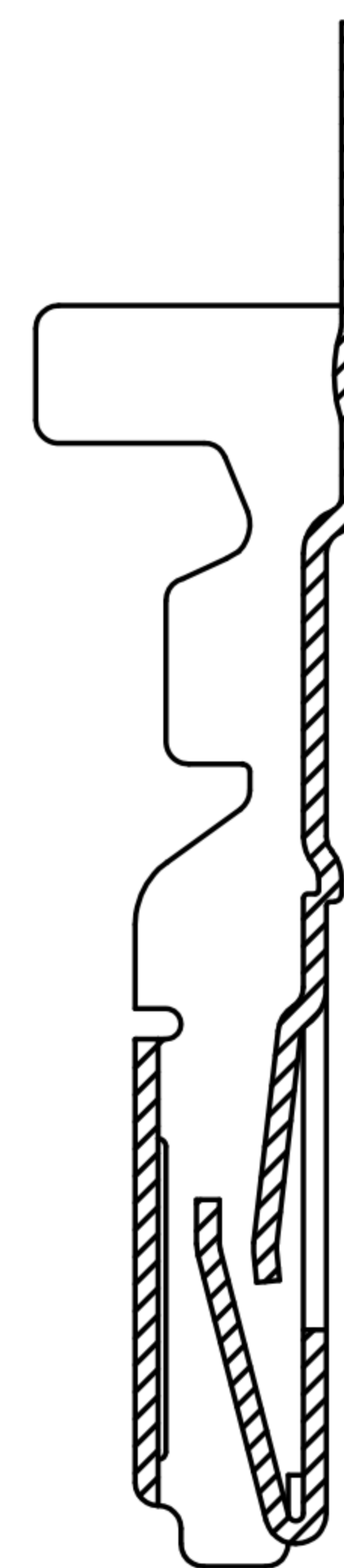
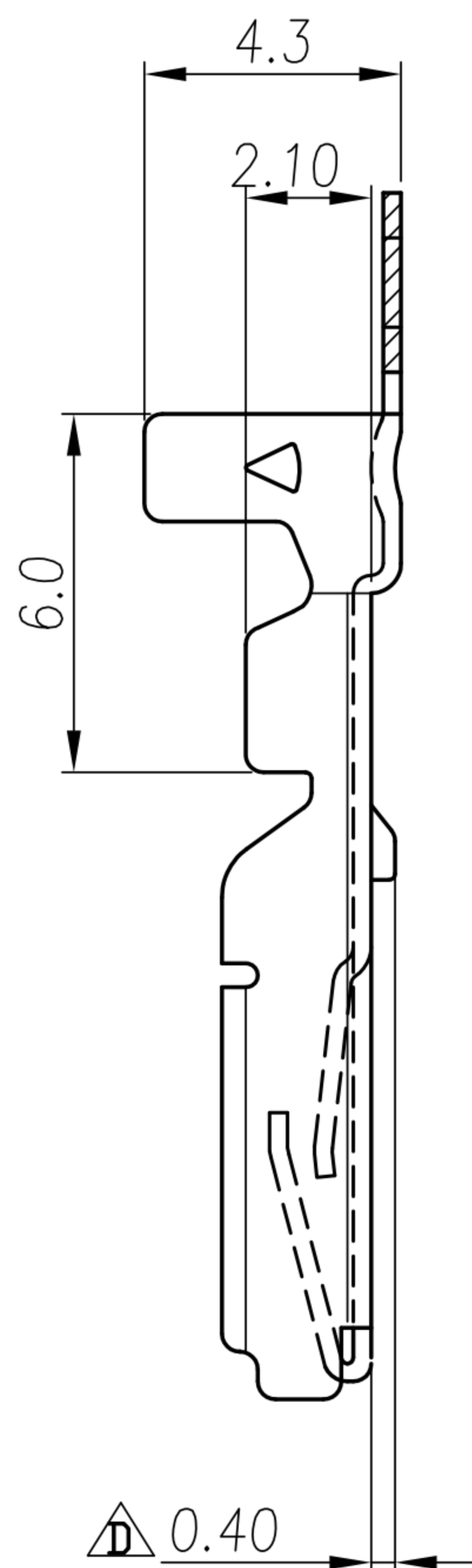
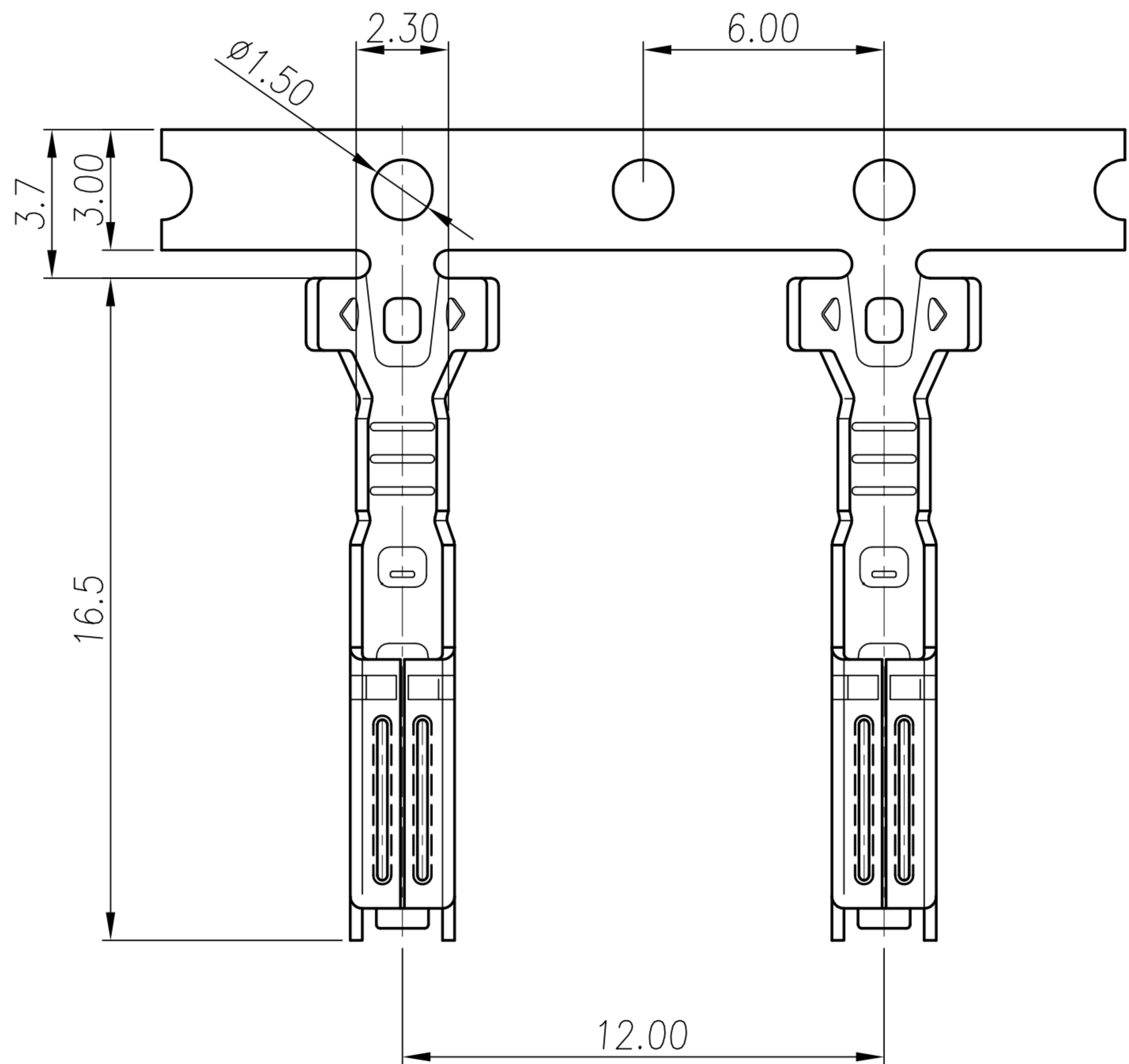
P/N.	DESCRIPTION	PLATING
OY-TE0286	OBD2 (F) 端子	GOLD FLASH ON CONTACT AREA
OY-TE0104	OBD2 (F) 端子	BRIGHT TIN OVER ALL 60u" MIN
OY-TE1104	OBD2 (F) 端子	素材



DRAW	Yeh Chou	APPVL	Emily Suen	UNIT	mm	TOLERANCE		广东科斯达电子科技有限公司 GUANG DONG KE SI DA ELECTRONIC TECHNOLOGY CO., LTD.	TITLE	OBD2 (F) 端子			VERSION D
CHECK	Emily Suen			SCALE	1:1	.x ±0.10 .xx ±0.05 .xxx ±0.03 .xxxx ±0.01 ANGULA ±1°			PART NO.	SEE TABLE A	DWG NO.	QC1326	

CUSTOMER DRAWING

REV.	DESCRIPTION	CHANGE BY	APPVL. BY	DATE	ECN NO.
A	RELEASE	JEN	Fido Wang	10/12/08*	ECN08019
B	變更TABLE A	Yeh	Fido Wang	16/09/09*	
C	變更尺寸	Yeh	Fido Wang	09/10/09*	
D	尺寸改變	KU	Fido Wang	17/08/15*	



NOTE:
 1. MATERIAL: BRASS T=0.30mm
 2. PLATING: SEE TABLE A
 NICKEL OVER ALL 60u" MIN

P/N.	DESCRIPTION	PLATING
OY-TE0286	OBD2 (F) 端子	GOLD FLASH ON CONTACT AREA
OY-TE0104	OBD2 (F) 端子	BRIGHT TIN OVER ALL 60u" MIN
OY-TE1104	OBD2 (F) 端子	素材

DRAW	Yeh Chou	APPVL	Emily Suen	UNIT	mm	TOLERANCE		广东科斯达电子科技有限公司 GUANG DONG KE SI DA ELECTRONIC TECHNOLOGY CO., LTD.	TITLE	OBD2 (F) 端子			SHEET	1/2
CHECK	Emily Suen			SCALE	1:1	.x ±0.10 .xx ±0.05 .xxx ±0.03 .xxxx ±0.01 ANGULA ±1°			PART NO.	SEE TABLE A	DWG NO.	QC1326	VERSION	D