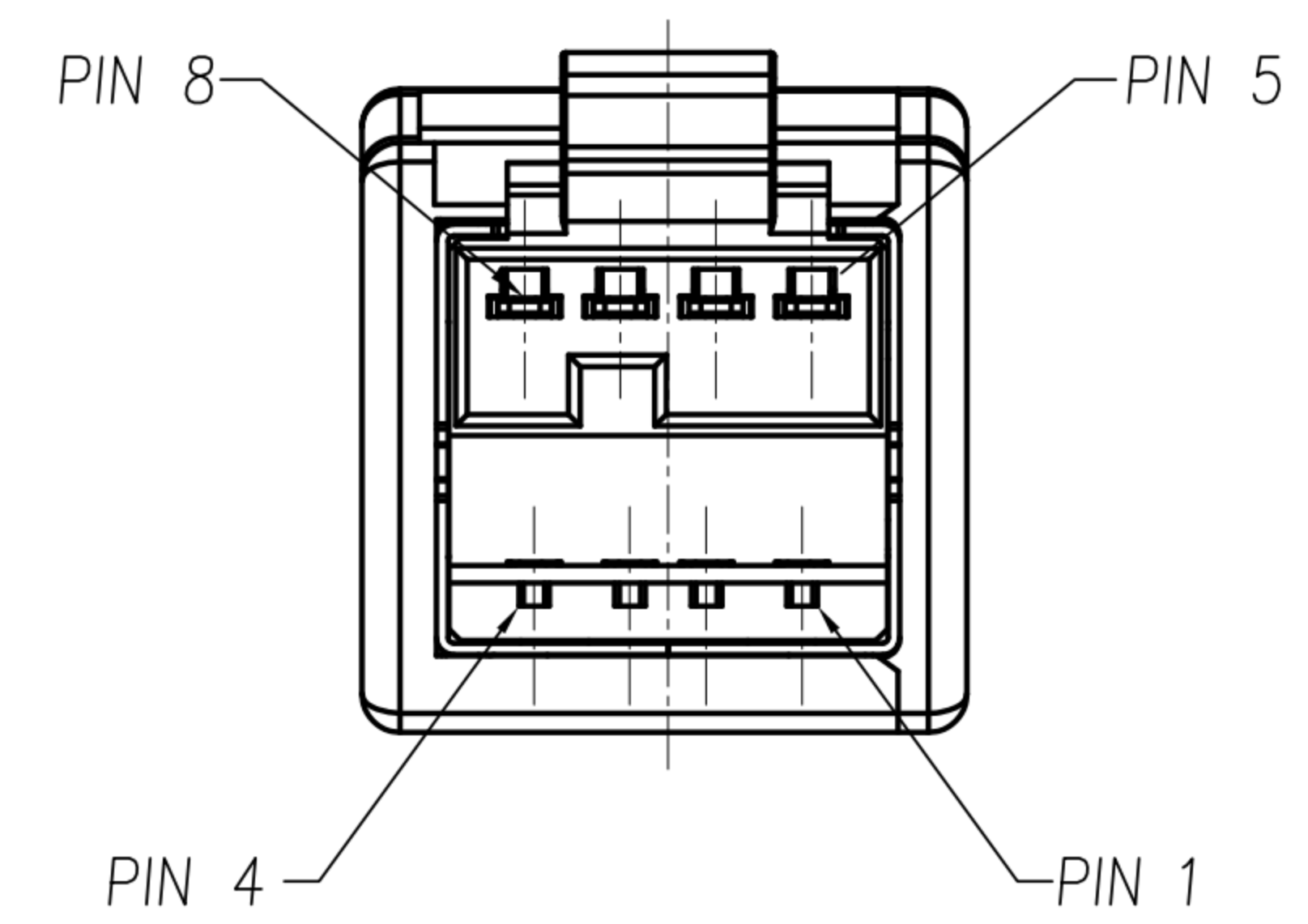
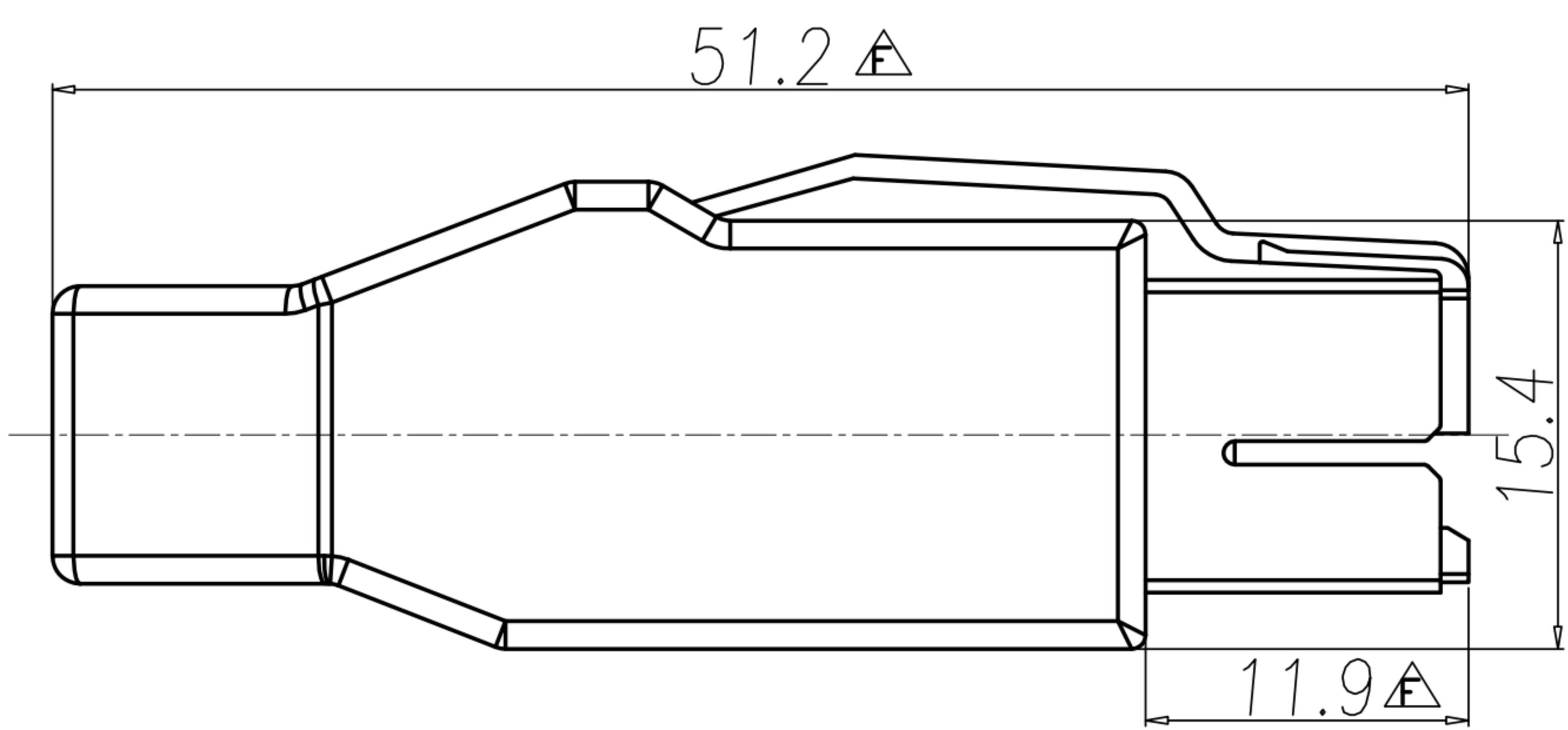
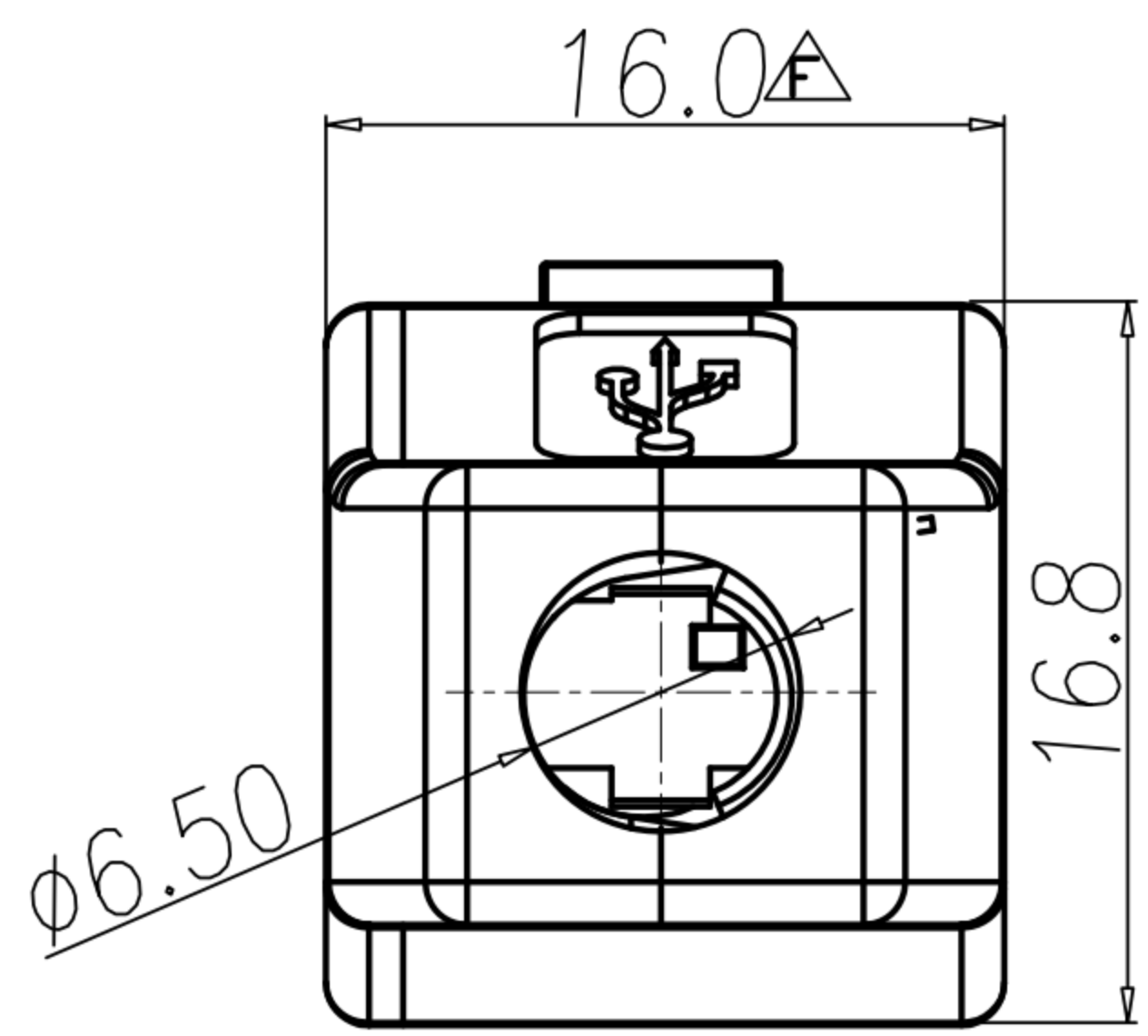
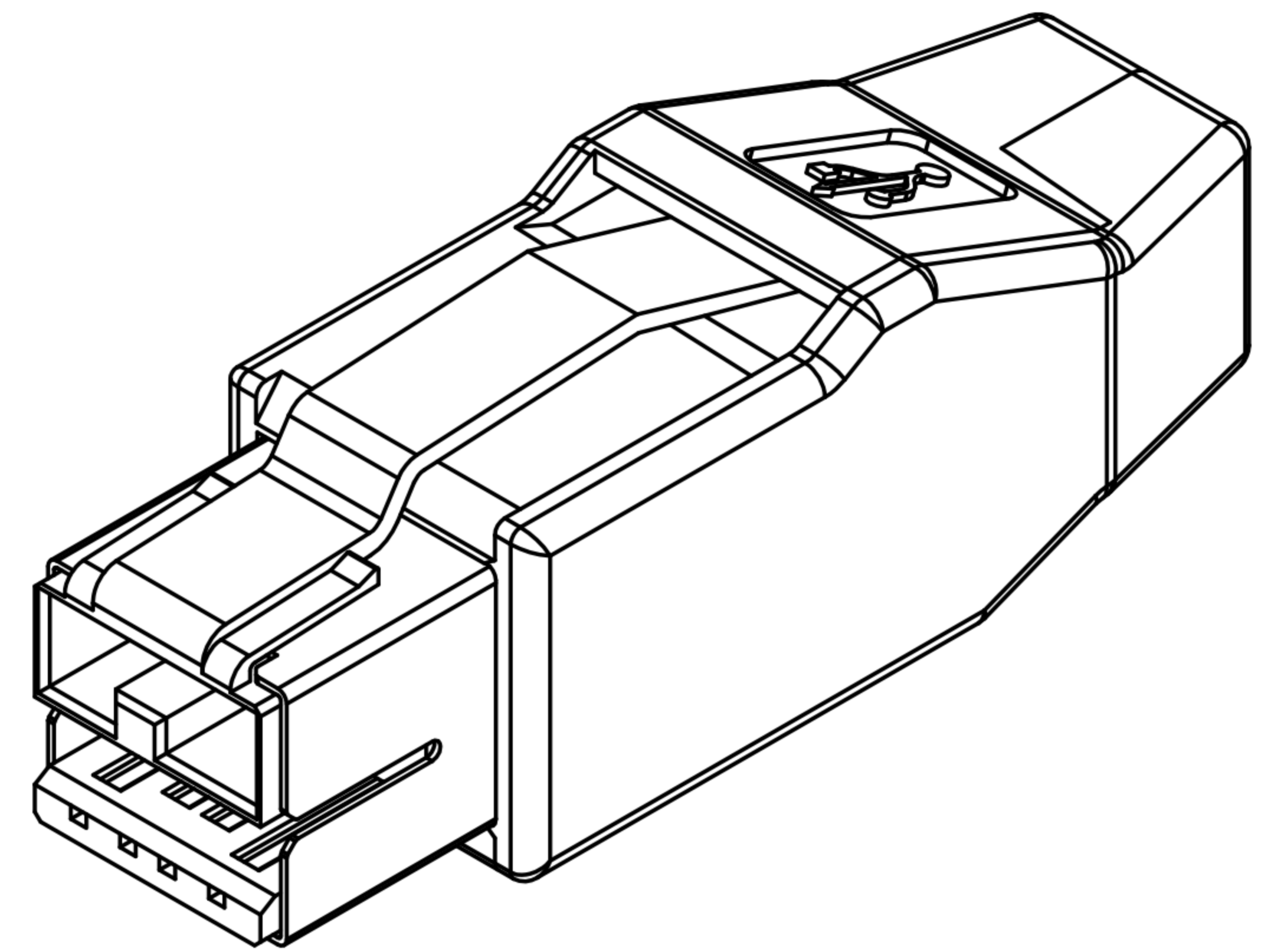
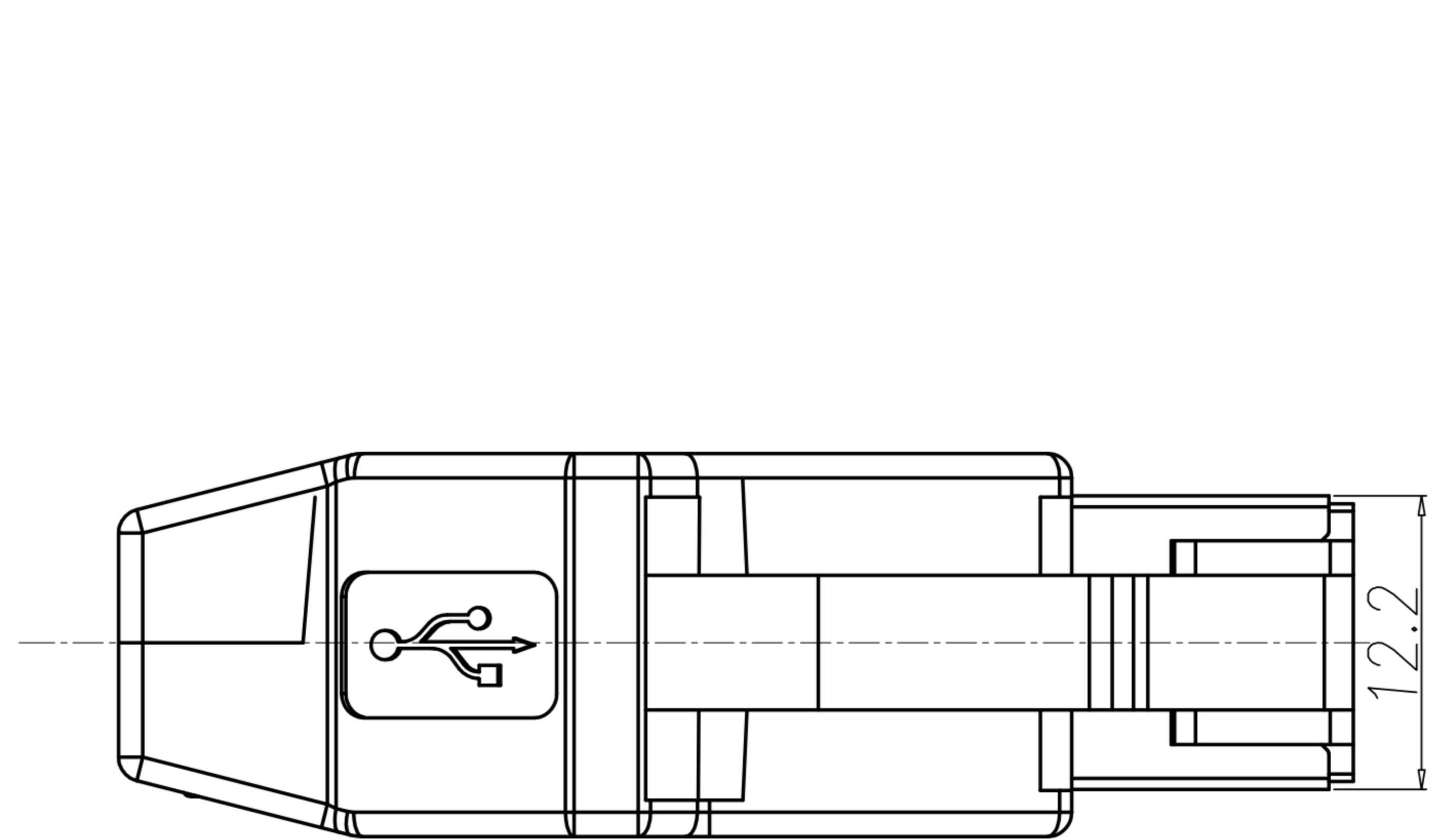


QC DRAWING

REV.	DESCRIPTION	APPROVED BY	DATE	ECN NO.
△A	RELEASE	Fido Weng	22/12/08'	
△B	變更尺寸	Emily Suen	28/08/12'	
△C				



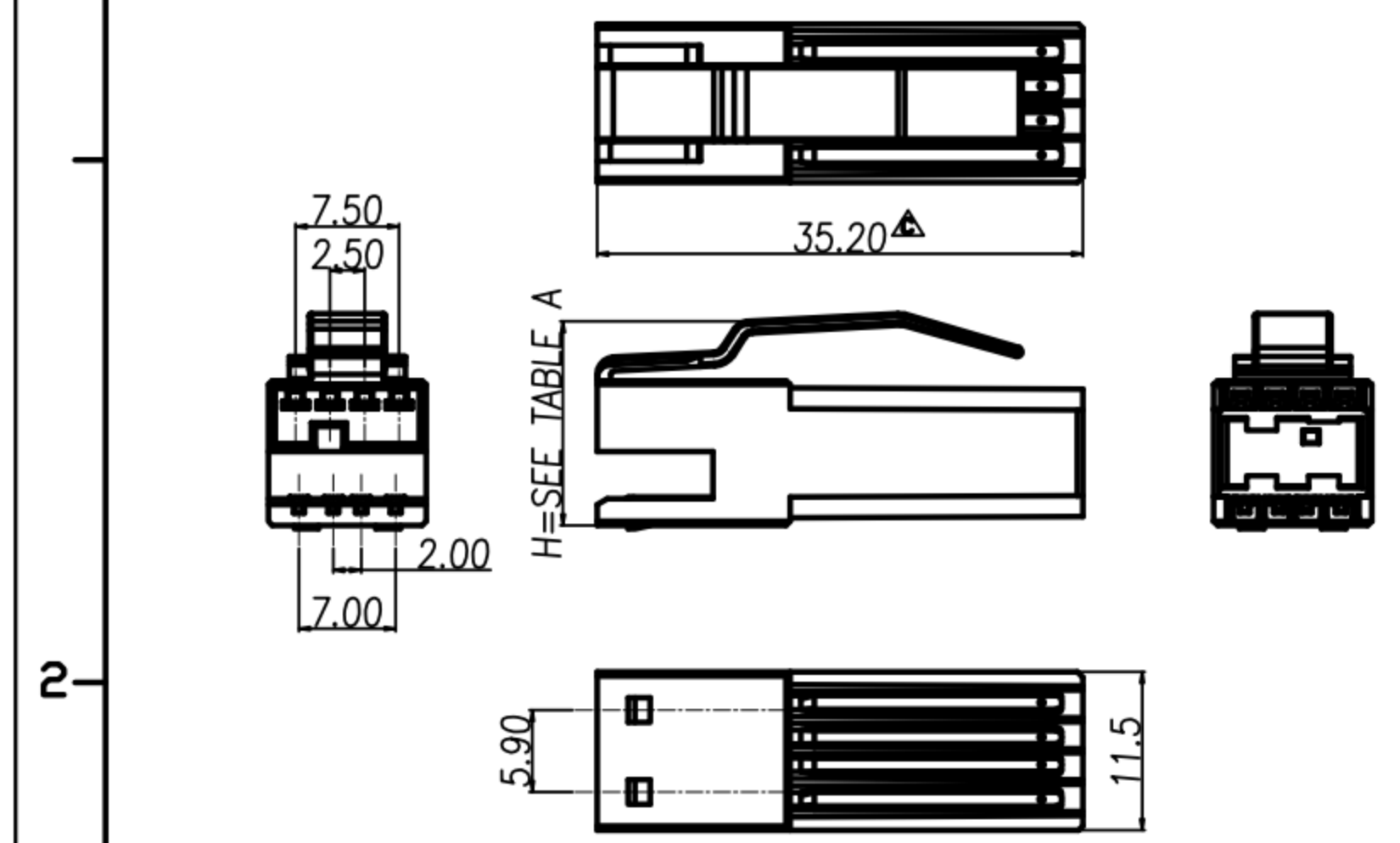
DRAWN	Mark Kao	APPEND	Ku Chou	UNIT	mm	TOLERANCE			TITLE	SEE TABLE A			SHEET
CHKED	Emily Suen			SCALE	1:1	.x ±0.20 .xx ±0.10 .xxx ±0.05 .xxxx ±0.03 ANGULA ±1°			PART NO.	SEE TABLE A	DWG NO.	QC2920	VERSION

广东科斯达电子科技有限公司  
GUANG DONG KE SI DA ELECTRONIC TECHNOLOGY CO., LTD.

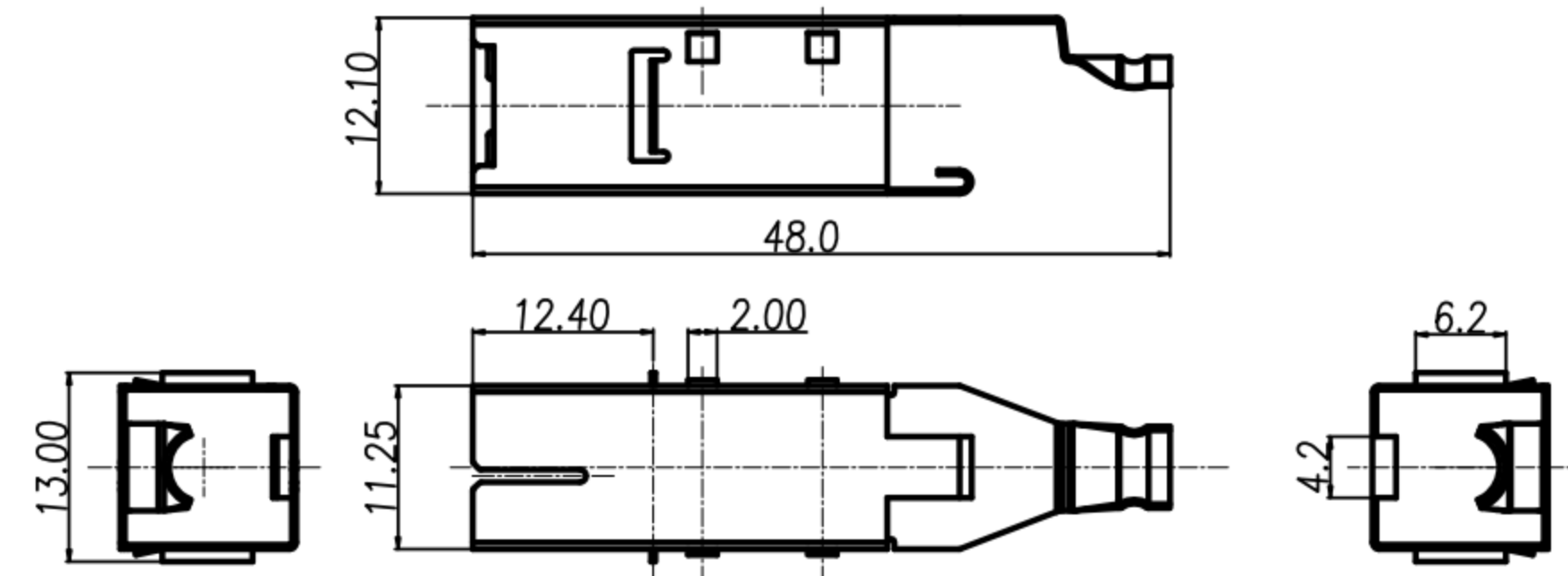


# CUSTOMER DRAWING

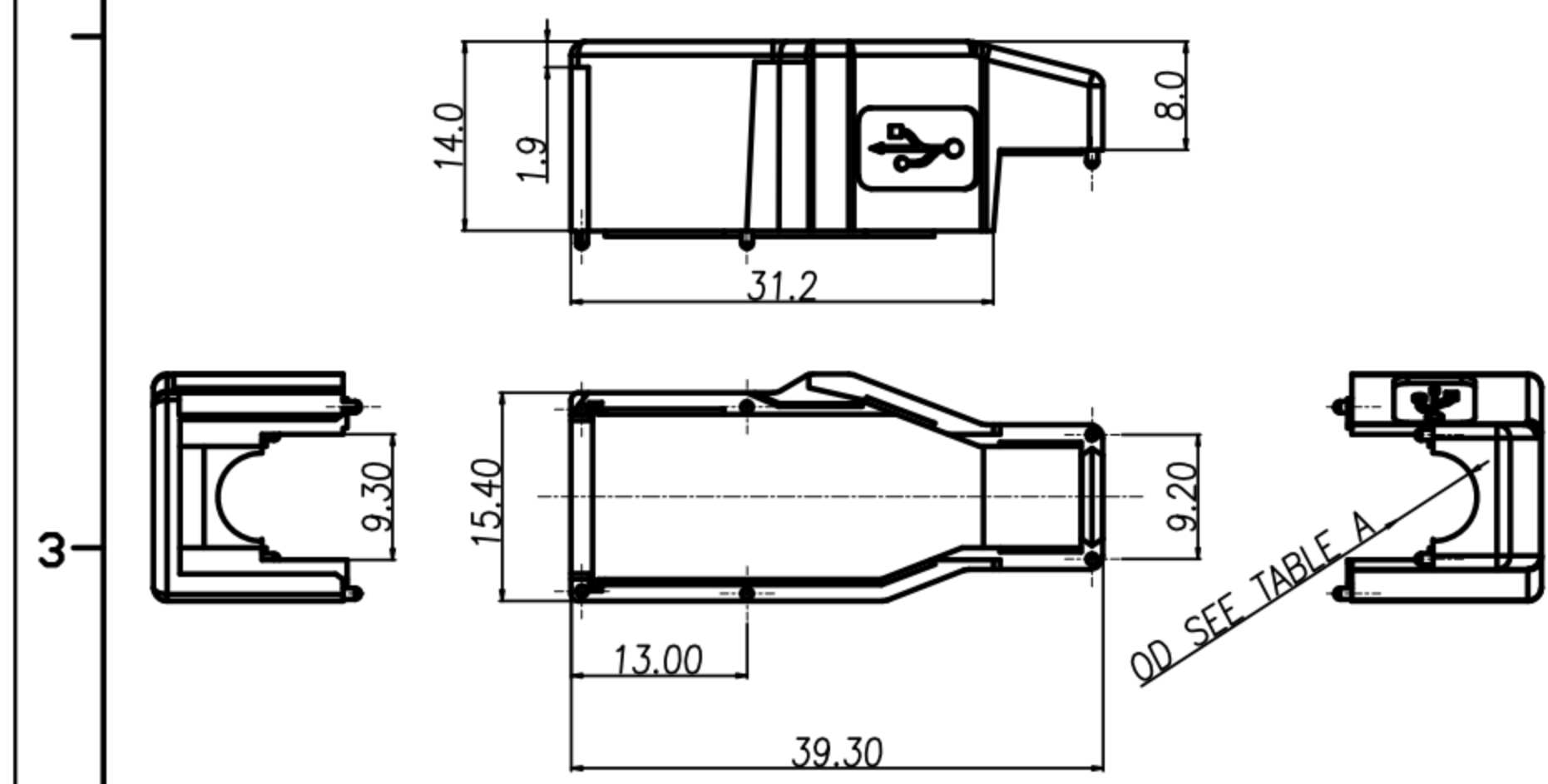
REV.	DESCRIPTION	APPROVED BY	DATE	ECN NO.
E	MODIFY DRAWING	Fido Weng	24/05/10*	
F	變更尺寸	Emily Suen	30/08/12*	
G	合併料號	Fido Weng	06/02/18*	



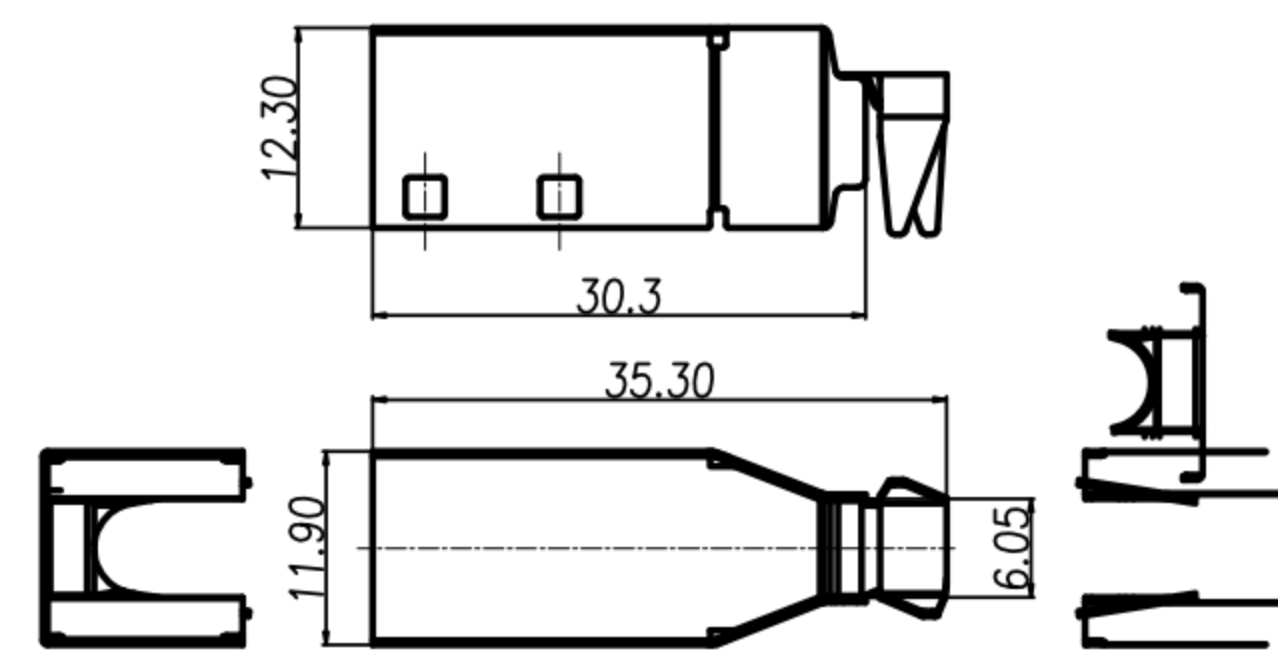
USB POWER COADE 8PIN(M) HSG+PIN



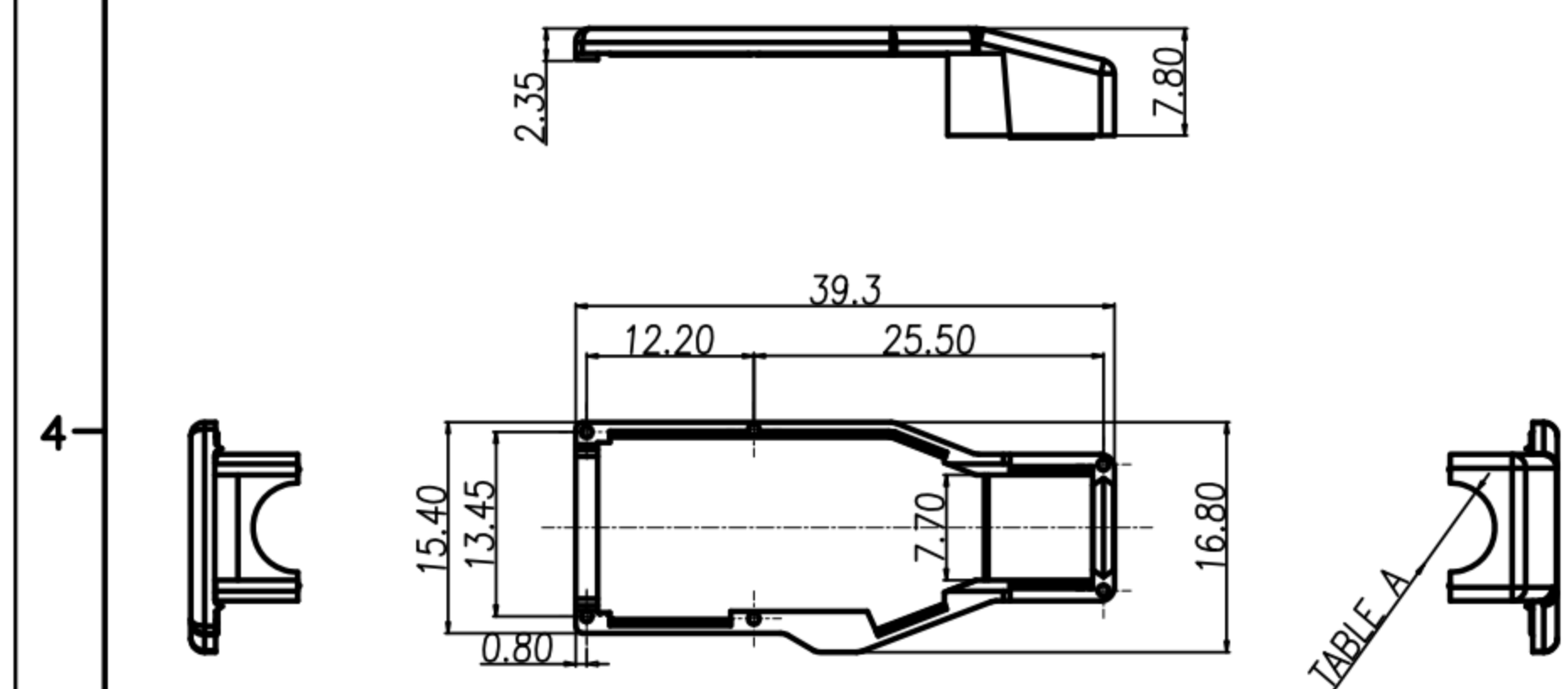
OY-US0248 USB POWER COADE 8PIN(M) LONG SHELL



USB POWER 8PIN(M) 外套下蓋



OY-US0249 USB POWER COADE 8PIN(M) SHORT SHELL



USB POWER 8PIN(M) 外套上蓋

- MATERIAL :
  - 1-1. HOUSING : NYLON 66 UL94V-0
  - 1-2. CONTACT : PHOSPHOR BRONZE
  - 1-3. LONG SHELL : PHOSPHOR BRONZE
  - 1-4. SHORT SHELL : PHOSPHOR BRONZE
  - 1-5. UPPER COVER : ABS.
  - 1-6. BASE COVER : ABS.
- FINISH :
  - 2-1. CONTACT : GOLD 10u" MIN ON CONTACT AREA, SHINE TIN 80u" MIN ON SOLDER TAILS, UNDERPLATED NICKEL OVER ALL 50u" MIN.
  - 2-2. SHELL : TIN PLATED OVER ALL .
- ELECTRICAL SPECIFICATION :
  - 3-1. RATINGVOLTAGE AND CURRENT : 1.5A AT 250V AC MIN, FOR POWER USB : 3.0A AT 250V AC MIN.
  - 3-3. CONTACT RESISTANCE : 30m Ohm MAX
  - 3-3. INSULATION RESISTANCE : 1000M Ohm MIN AT DC500V.
  - 3-3. DIELECTRIC WITHSTANDING VOLTAGE : AC 500V/1 MINUTE.

TABLE A

△	US-08M2-24	USB POWER 8PIN(M) 5V TYPE H=14.77(黑色外套OD=7.0)
△	US-08M2-21	USB POWER 8PIN(M) 5V TYPE H=14.77(貝吉色外套OD=7.0)
△	US-08M2-12	USB POWER 8PIN(M) 5V TYPE H=14.37(黑色外套OD=7.0)
△	US-08M2-09	USB POWER 8PIN(M) 5V TYPE H=14.37(貝吉色外套OD=7.0)
	US-08M2-34	USB POWER 8PIN(M) 5V TYPE H=14.77(貝吉色外套OD=4.5)
	US-08M2-31	USB POWER 8PIN(M) 5V TYPE H=14.77(黑色外套OD=4.5)
	US-08M2-28	USB POWER 8PIN(M) 5V TYPE H=14.37(貝吉色外套OD=4.5)
	US-08M2-25	USB POWER 8PIN(M) 5V TYPE H=14.37(黑色外套OD=4.5)
	US-08M2-18	USB POWER 8PIN(M) 5V TYPE H=14.77(黑色外套OD=6.5)
	US-08M2-15	USB POWER 8PIN(M) 5V TYPE H=14.77(貝吉色外套OD=6.5)
	US-08M2-08	USB POWER 8PIN(M) 5V TYPE H=14.37(黑色外套OD=6.5)
	US-08M2-03	USB POWER 8PIN(M) 5V TYPE H=14.37(貝吉色外套OD=6.5)
	P/N	DESCRIPTION

DRAWN	Jen Xie	APPEND	Fido Weng	UNIT	mm	TOLERANCE			TITLE	SEE TABLE A			SHEET	1/2
CHKED	Emily Suen			SCALE	1:1	.x ±0.20 .xx ±0.10 .xxx ±0.05 .xxxx ±0.03 ANGULA ±1°			PART NO.	SEE TABLE A	DWG NO.	QC2920	VERSION	G

广东科斯达电子科技有限公司  
GUANG DONG KE SI DA ELECTRONIC TECHNOLOGY CO., LTD.