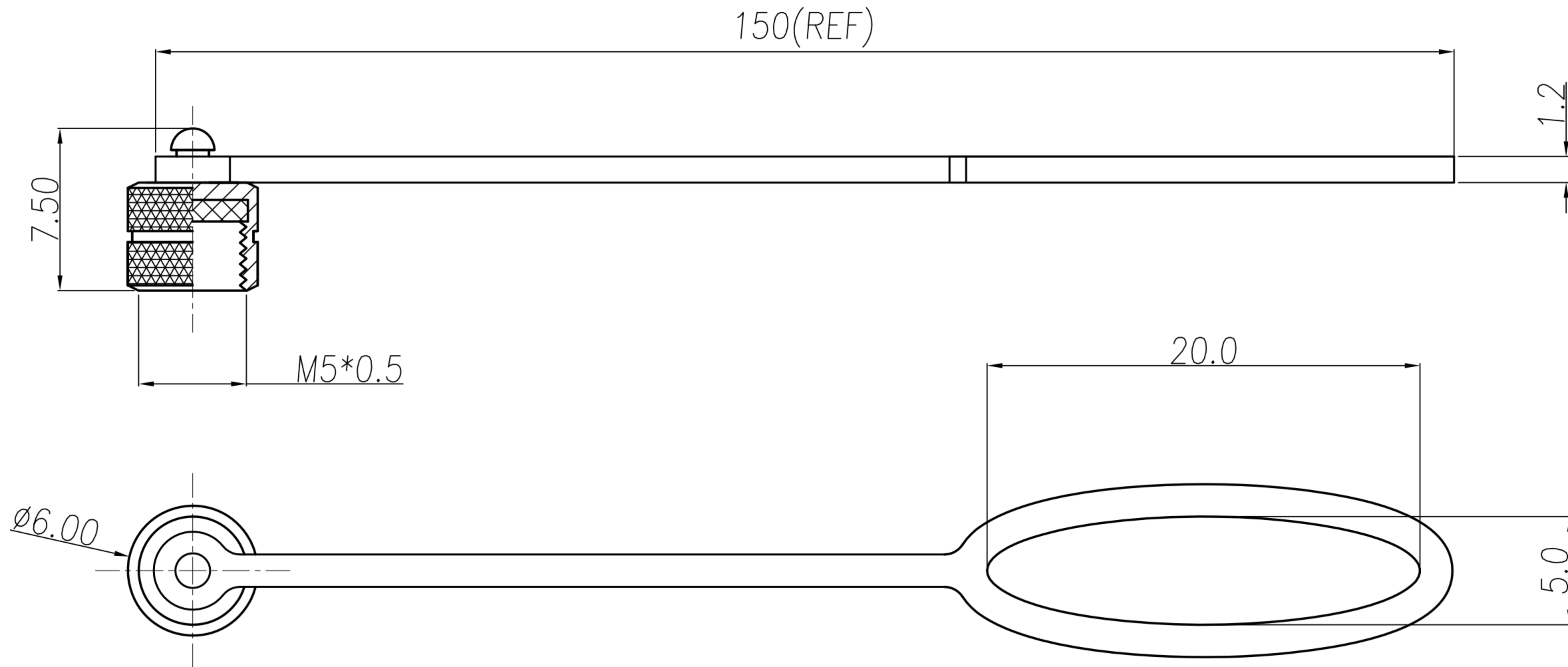


CUSTOMER DRAWING

| REV. | DESCRIPTION | APPROVED BY | DATE | ECN NO. |
|------|-------------|-------------|-----------|---------|
| A | RELEASE | Fido Weng | 04/08/09' | |
| B | | | | |
| C | | | | |



1. MATERIAL :
 - 1-1. CHAIN : TPR ; COLOR : BLACK
 - 1-2. NUT : BRASS.
 - 1-3. O-RING : SILICONE.
2. FINISH :
 - 2-1. NUT : BLACK NICKEL.

| | | | | | | | | | | | | | | |
|-------|------------|-------|------------|-------|-----|---|--|--|----------|--------------------|---------|--------|---------|---|
| DRAWN | Ku Chou | APP'D | Emily Suen | UNIT | mm | TOLERANCE | | | TITLE | M5防塵蓋(NUT)+油封+塑膠鏈條 | | | SHEET | 1 |
| CHK'D | Emily Suen | | | SCALE | 1:1 | .x ±0.10 .xx ±0.05 .xxx ±0.03 .xxx ±0.01 ANGULA ±1° | | | PART NO. | NY-WP291 | DWG NO. | QC5027 | VERSION | A |