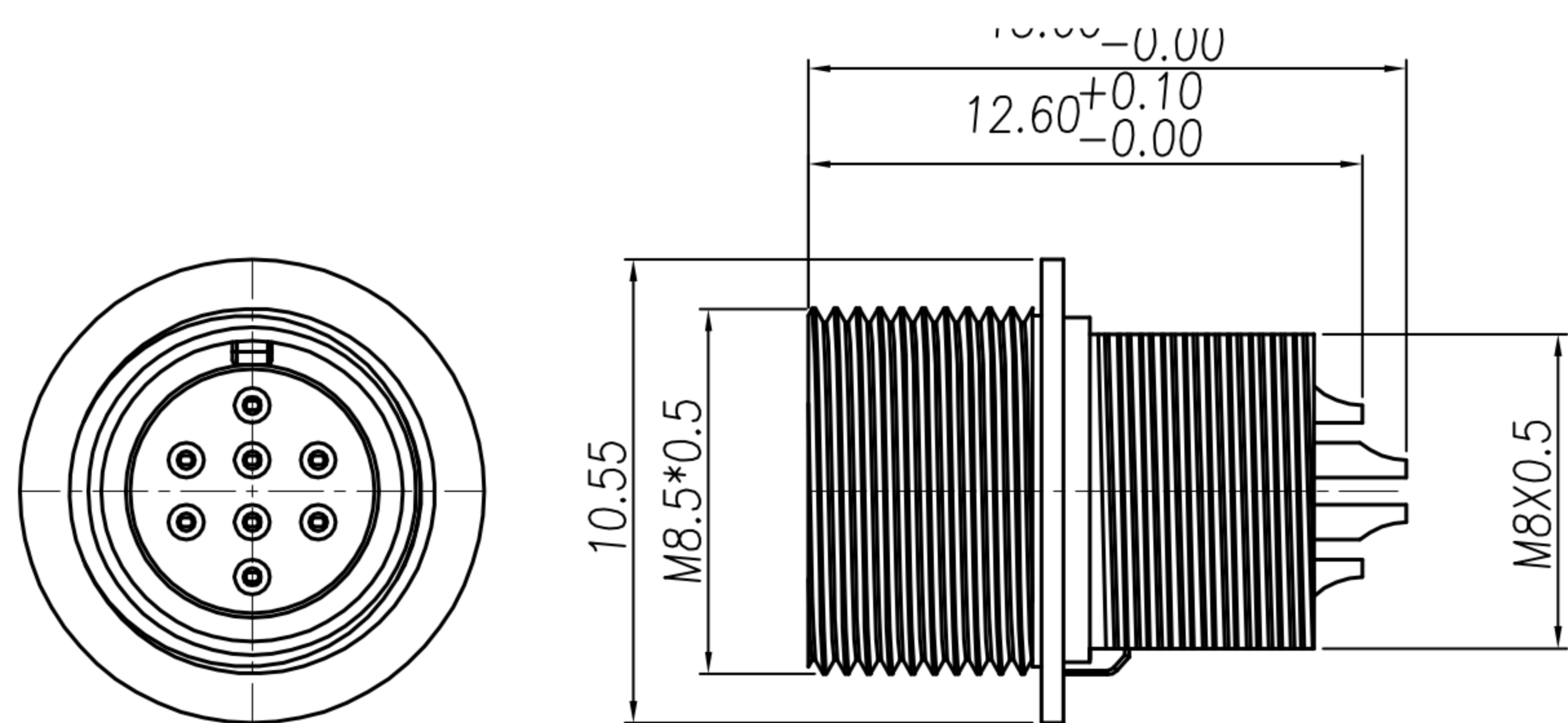
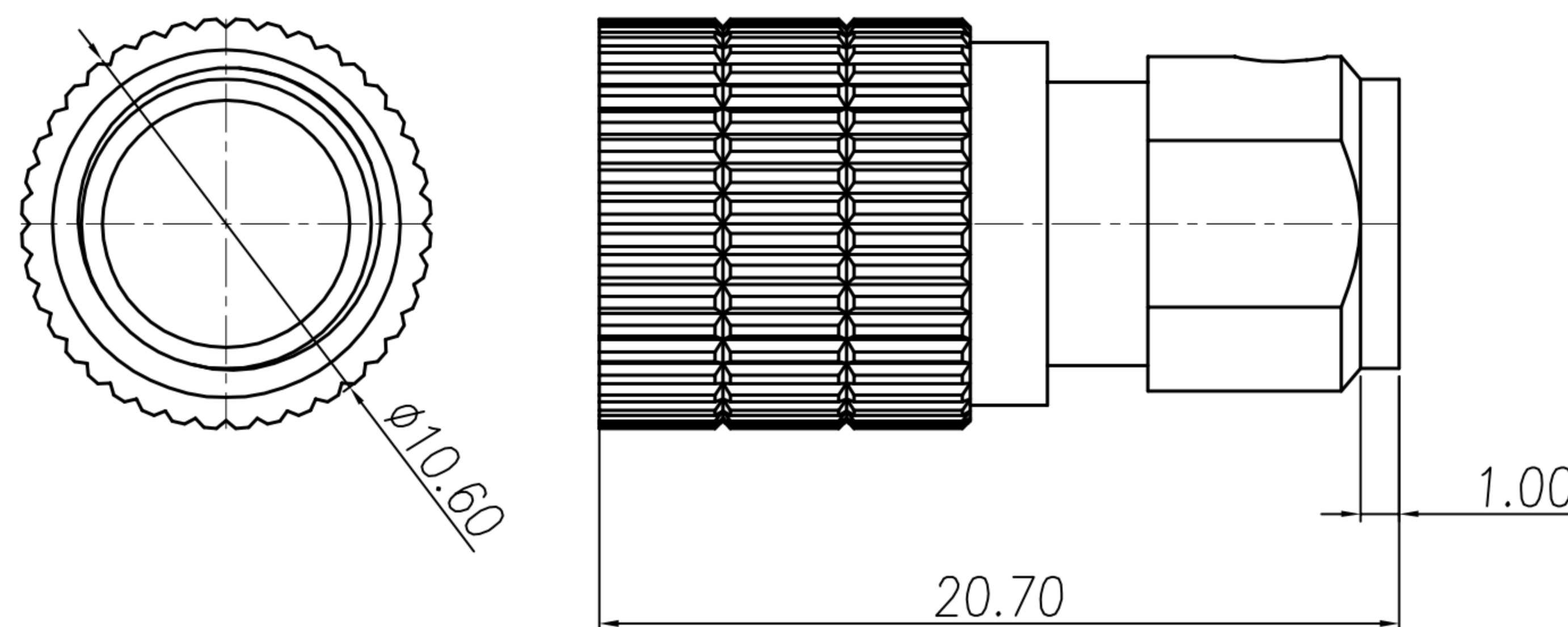


CUSTOMER DRAWING

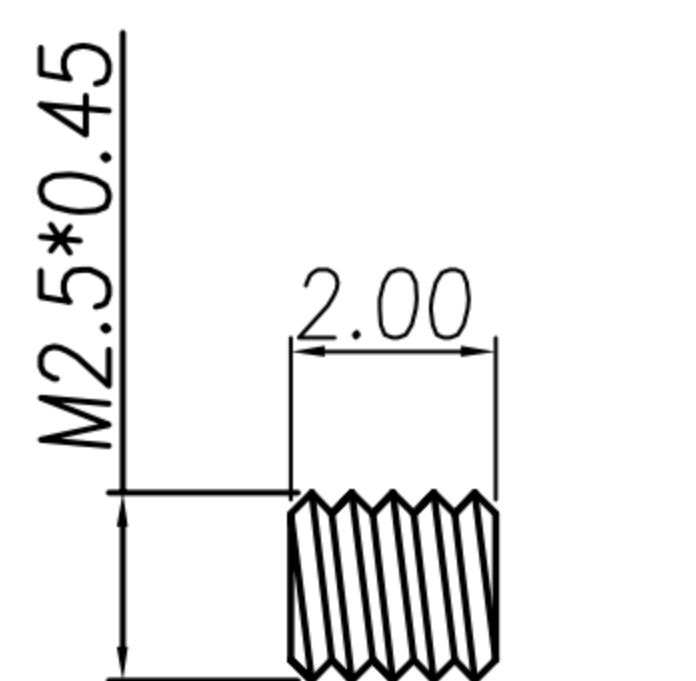
| REV. | DESCRIPTION           | APPROVED BY | DATE      | ECN NO.   |
|------|-----------------------|-------------|-----------|-----------|
| A    | RELEASE               | Emily Suen  | 30/12/11' |           |
| B    | CHANGE CONTACT PLATED | Ku Chou     | 10/06/19  | ECN-19006 |
| C    |                       |             |           |           |



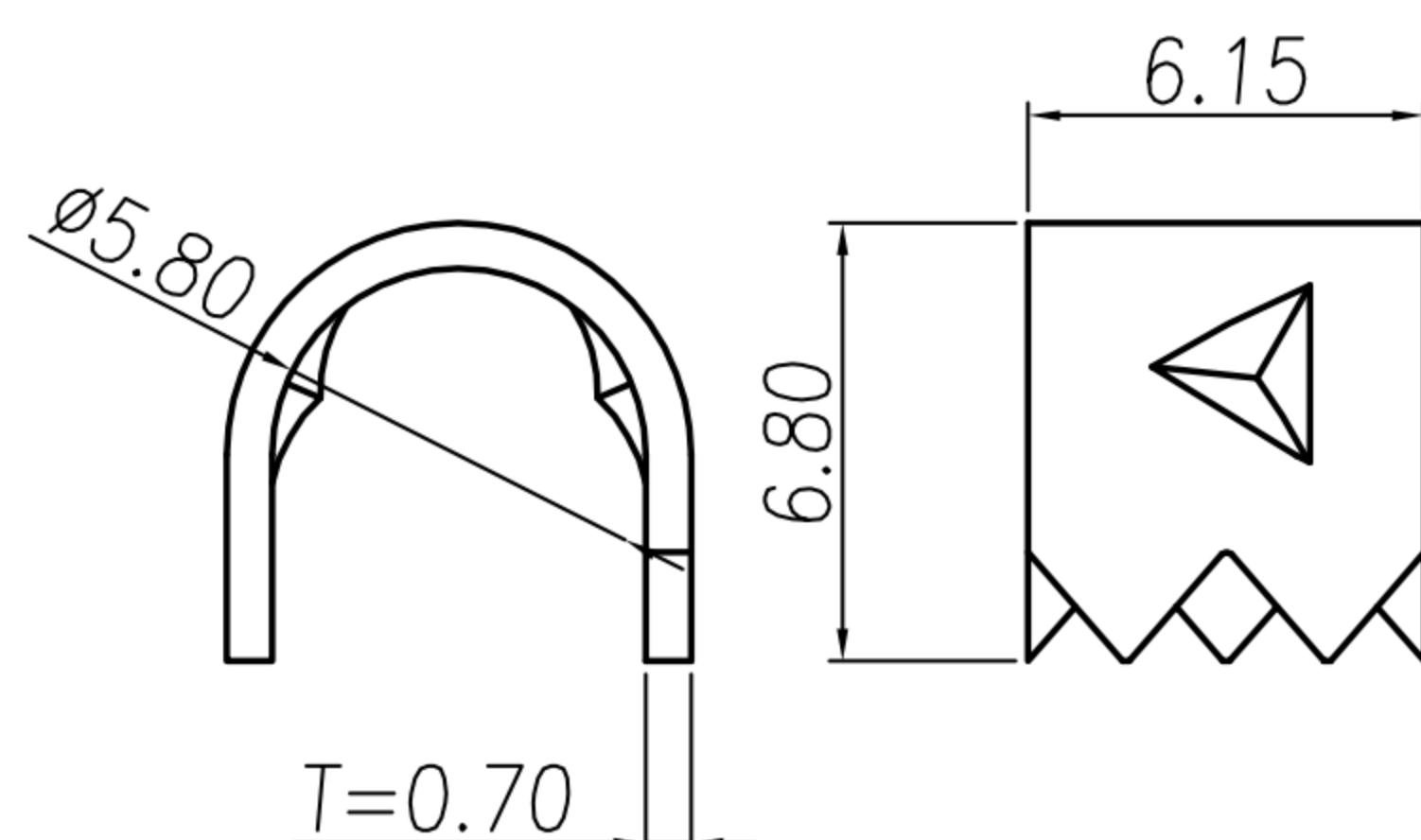
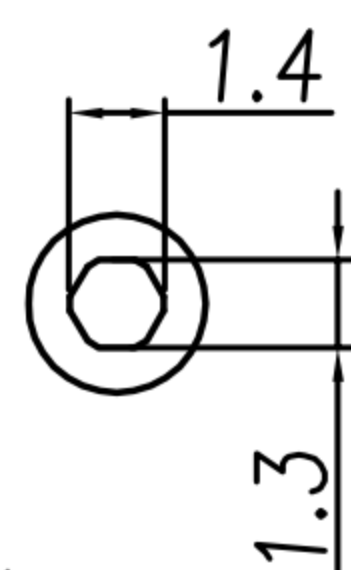
HOUSING+CONTACT+SHELL A



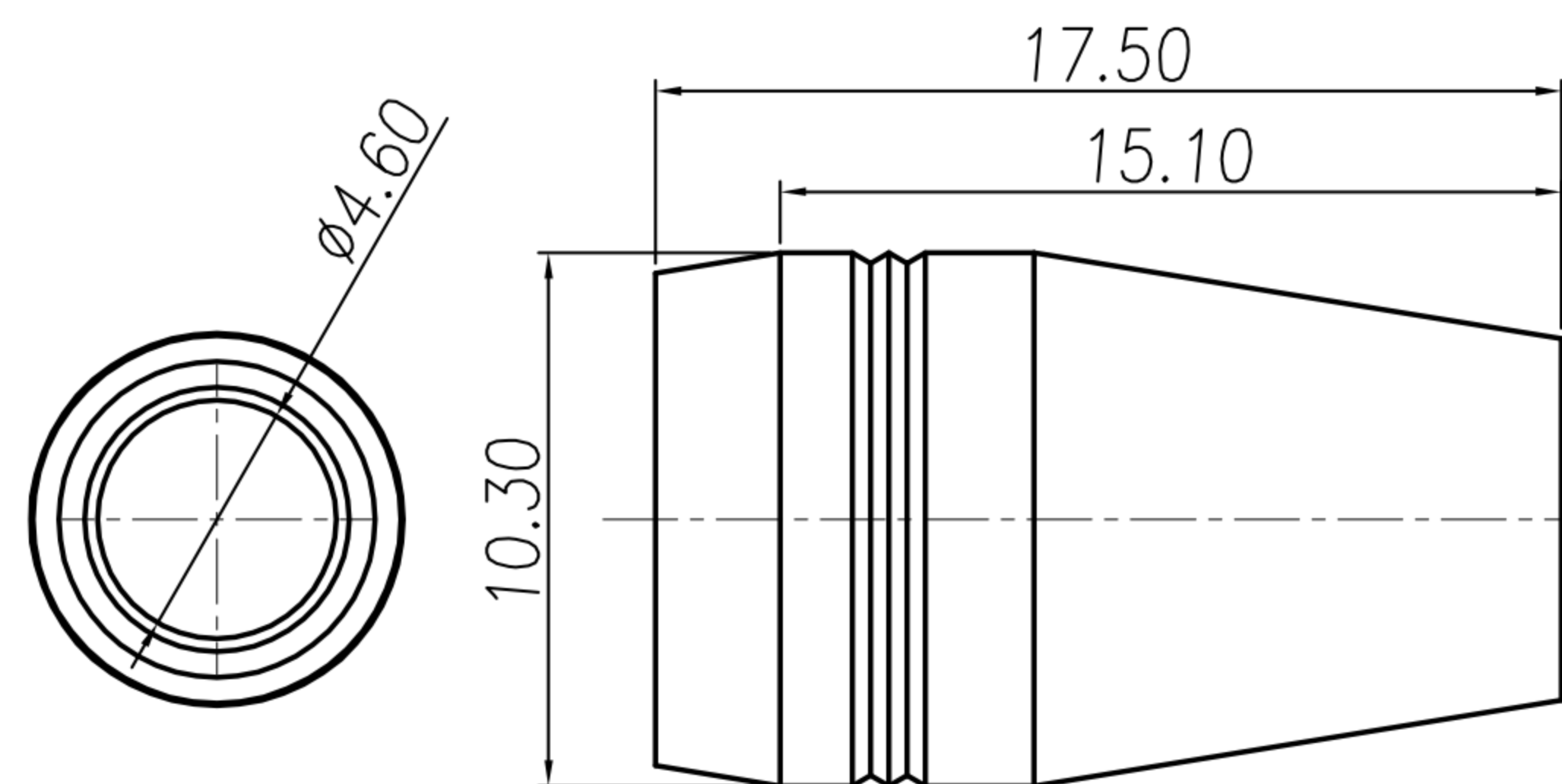
SHELL B+O-RING A



SCREW



CLAMP



SR

|       |            |       |         |       |     |  |  |  |          |                                |         |        |         |   |
|-------|------------|-------|---------|-------|-----|--|--|--|----------|--------------------------------|---------|--------|---------|---|
| DRAWN | Mark Kao   | APP'D | Ku Chou | UNIT  | mm  | TOLERANCE  |  | 广东科斯达电子科技有限公司<br>GUANG DONG KE SI DA ELECTRONIC TECHNOLOGY CO., LTD. | TITLE    | DIN M8*0.5 (F) 線端式(SHELL:JACK) |         |        | SHEET   | 2 |
| CHK'D | Emily Suen |       |         | SCALE | 1:1 | .x ±0.20<br>.xx ±0.10<br>.xxx ±0.05<br>.xxxx ±0.03<br>ANGULA ±1° |  |  | PART NO. | SEE TABLE A                    | DWG NO. | QC5631 | VERSION | B |

CUSTOMER DRAWING

| REV. | DESCRIPTION           | APPROVED BY | DATE      | ECN NO.   |
|------|-----------------------|-------------|-----------|-----------|
| △A   | RELEASE               | Emily Suen  | 30/12/11' |           |
| △B   | CHANGE CONTACT PLATED | Ku Chou     | 10/06/19  | ECN-19006 |
| △C   | CHANGE MATERIAL       | Ku Chou     | 16/09/22' |           |

1. MATERIAL :

- △C 1-1. HOUSING : NYLON 66 UL94V-0 ; COLOR : BLACK
- 1-2. CONTACT : PHOSPHOR BRONZE
- 1-3. SHELL A : ZINC ALLOY
- 1-4. SHELL B : BRASS
- 1-5. O-RING A : NBR ; COLOR : BLACK
- 1-6. SCREW : ALLOY STEEL
- 1-7. CLAMP : BRASS
- 1-8. SR : TPR

2. FINISH :

- 2-1. CONTACT A : 10u" MIN. GOLD PLATED △B
- 2-2. SHELL A : NICKEL PLATED 60u" ~ 100u" OVER ALL
- 2-3. SHELL B : NICKEL PLATED 60u" ~ 100u" OVER ALL
- 2-4. SCREW : NICKEL PLATED 60u" ~ 100u" OVER ALL

3. ELECTRICAL SPECIFICATION :

- 3-1. Rated current : 1A
- 3-2. Rated voltage : 30V AC , 42V DC

4. Environmental :

- 4-1. Operation Temperature : -25℃~85℃

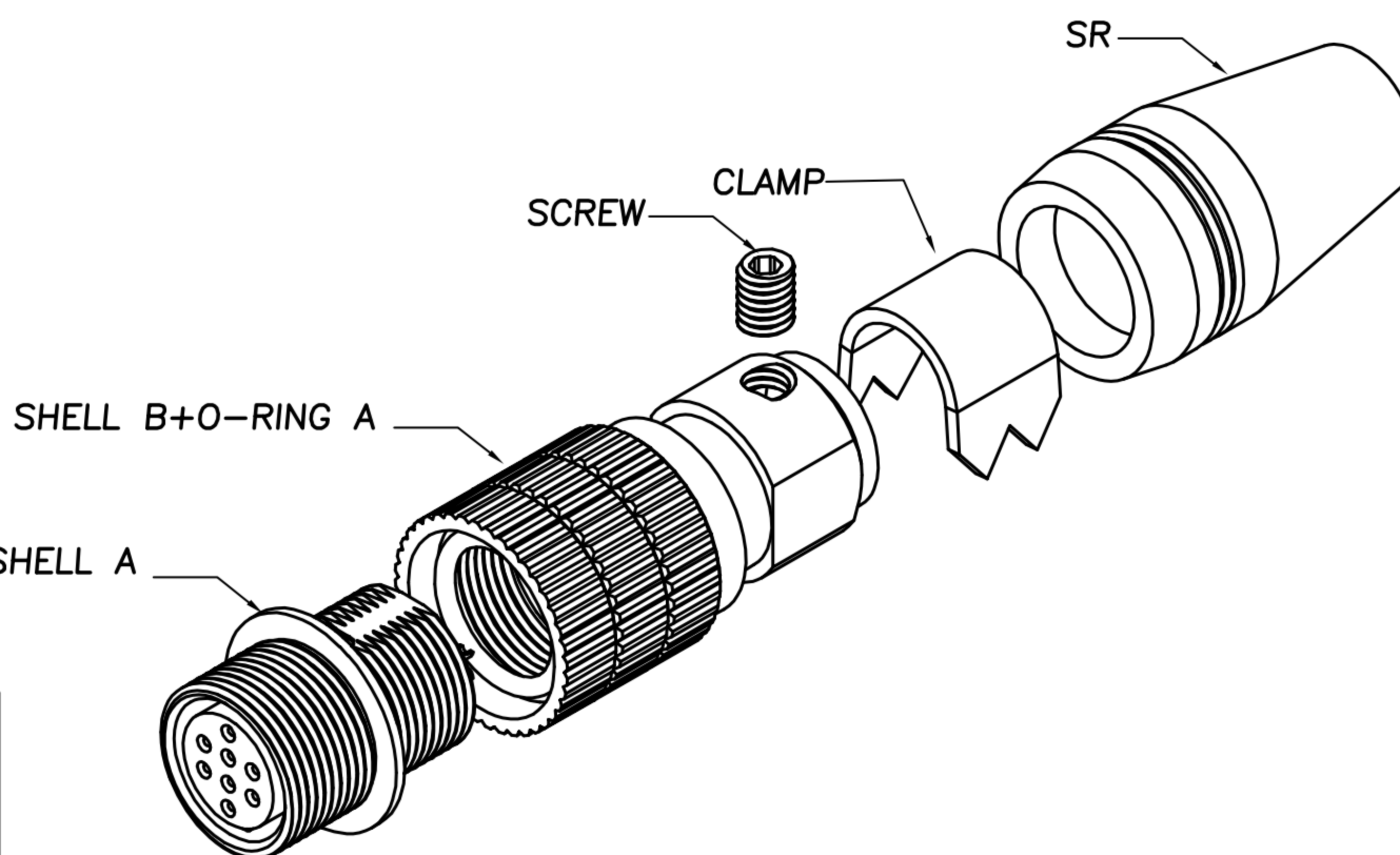
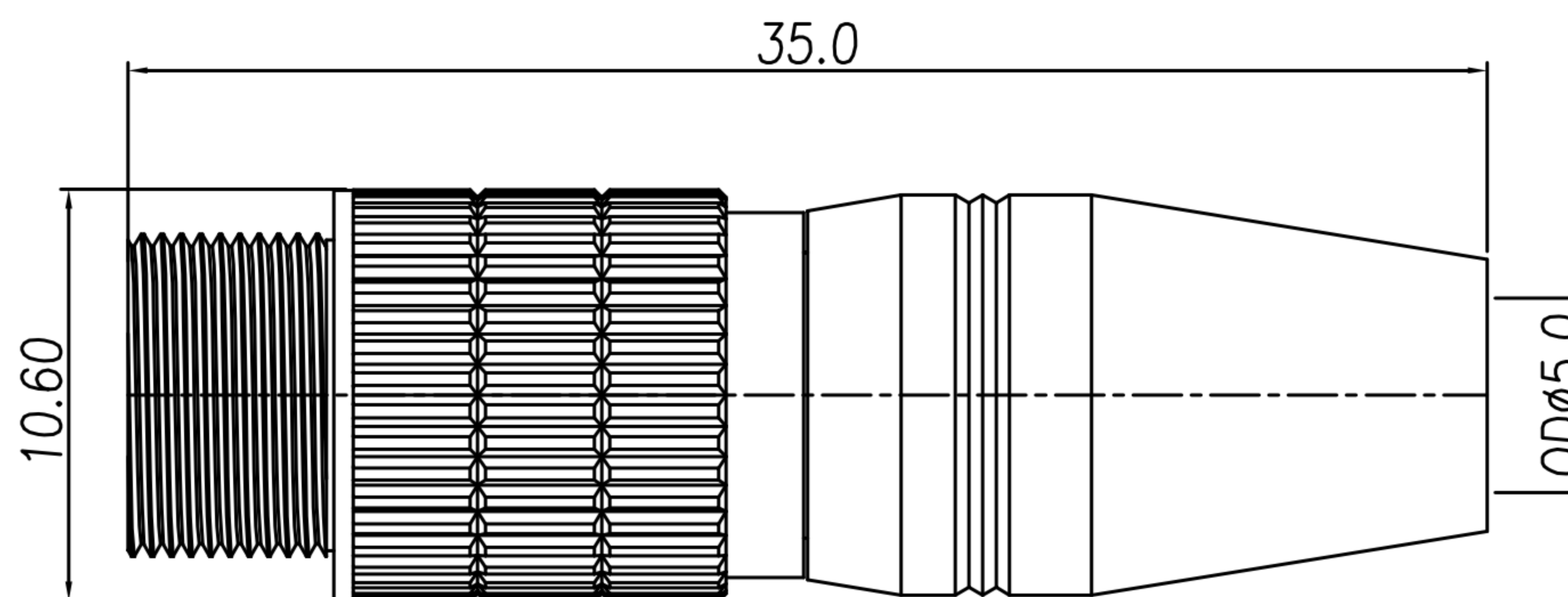
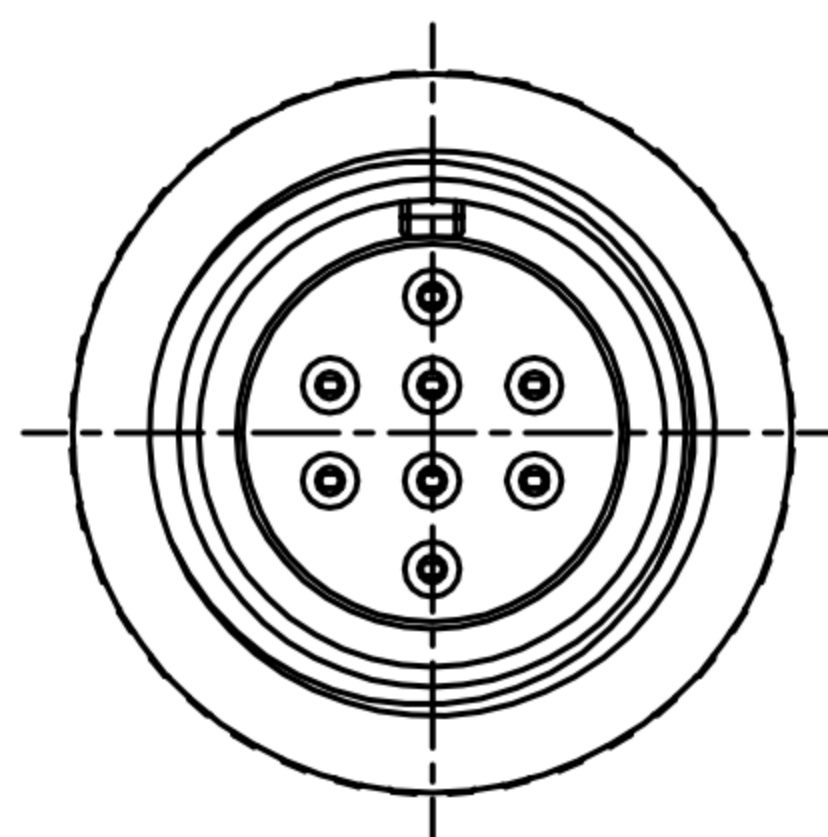


TABLE A

| DI-04F2-03(4P) | DI-06F2-04(6P) | DI-08F2-03(8P) |
|----------------|----------------|----------------|
|                |                |                |

|       |            |       |         |       |     |           |  |  |          |                                |         |        |         |     |
|-------|------------|-------|---------|-------|-----|-----------|--|--|----------|--------------------------------|---------|--------|---------|-----|
| DRAWN | Mark Kao   | APP'D | Ku Chou | UNIT  | mm  | TOLERANCE |  |  | TITLE    | DIN M8*0.5 (F) 線端式(SHELL:JACK) |         |        | SHEET   | 1/2 |
| CHK'D | Emily Suen |       |         | SCALE | 1:1 |           |  |  | PART NO. | SEE TABLE A                    | DWG NO. | QC5631 | VERSION | C   |