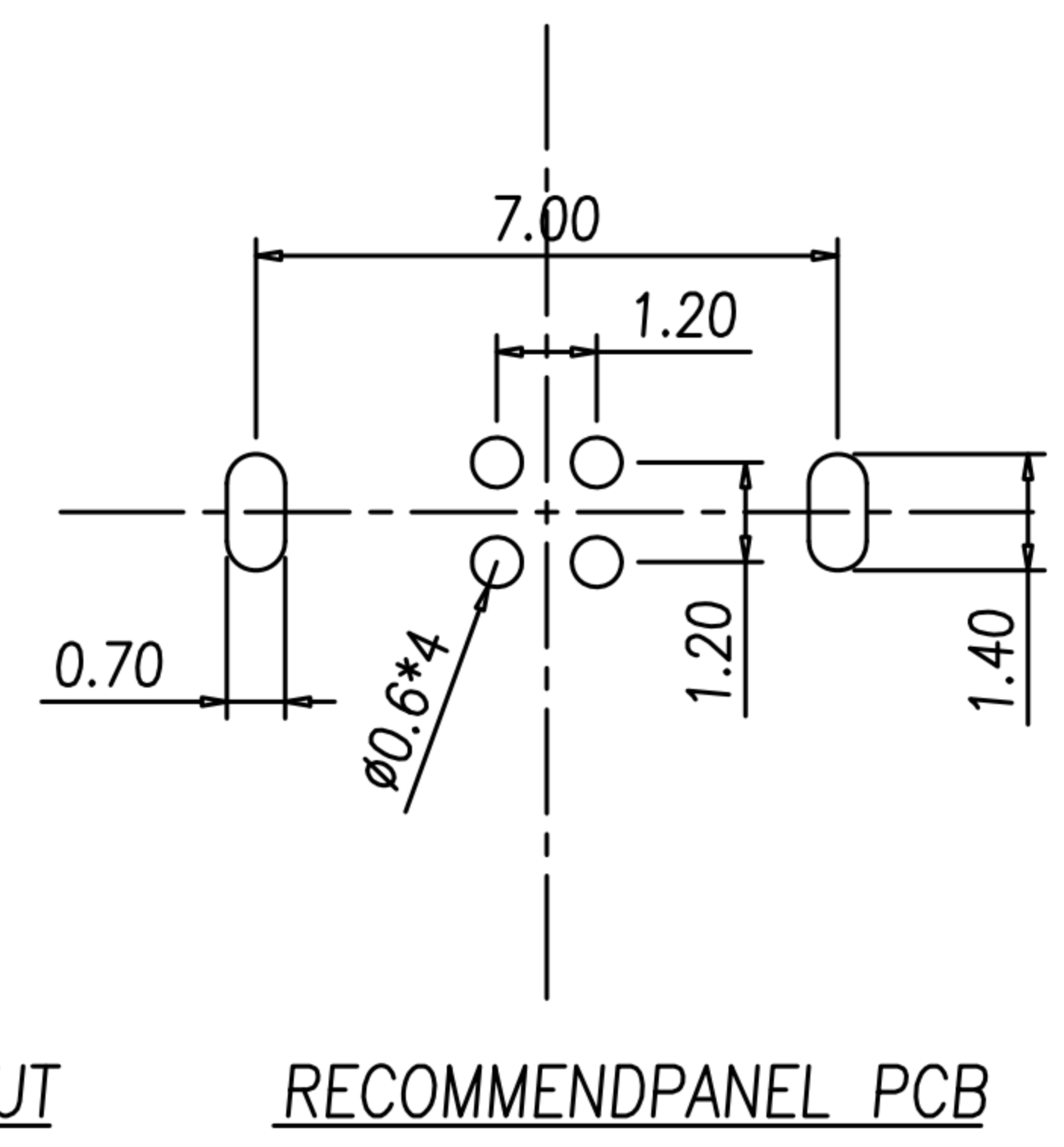
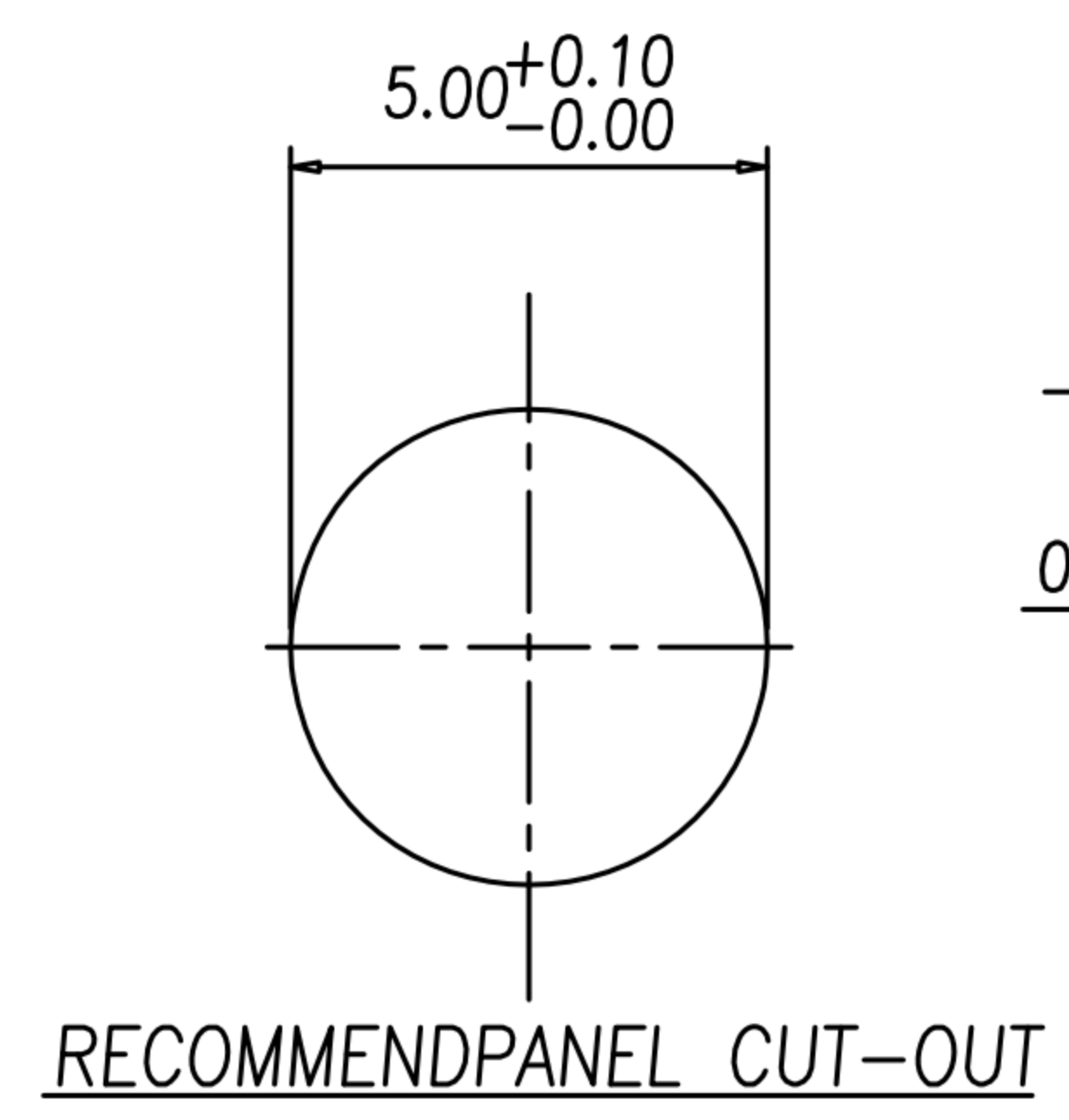
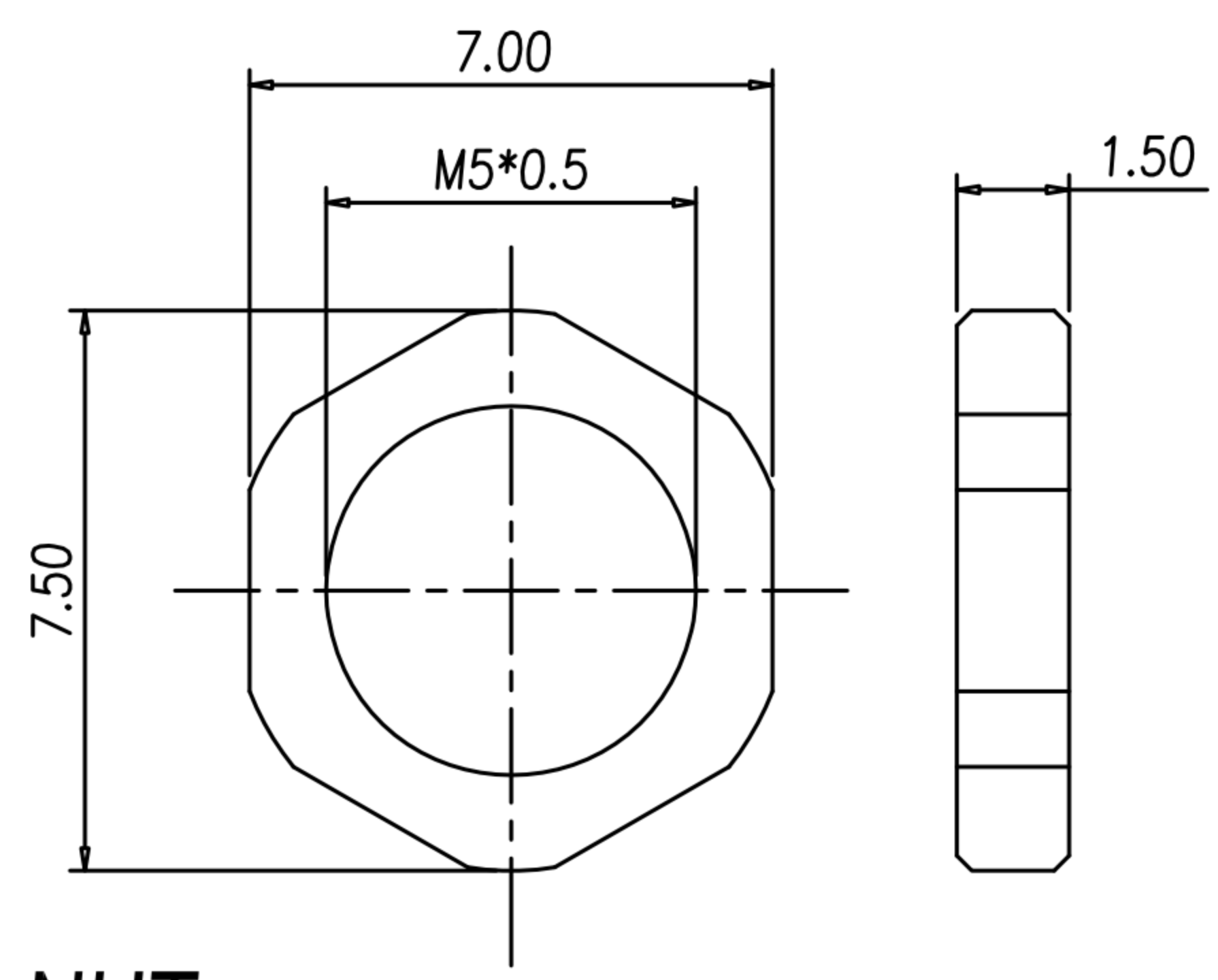
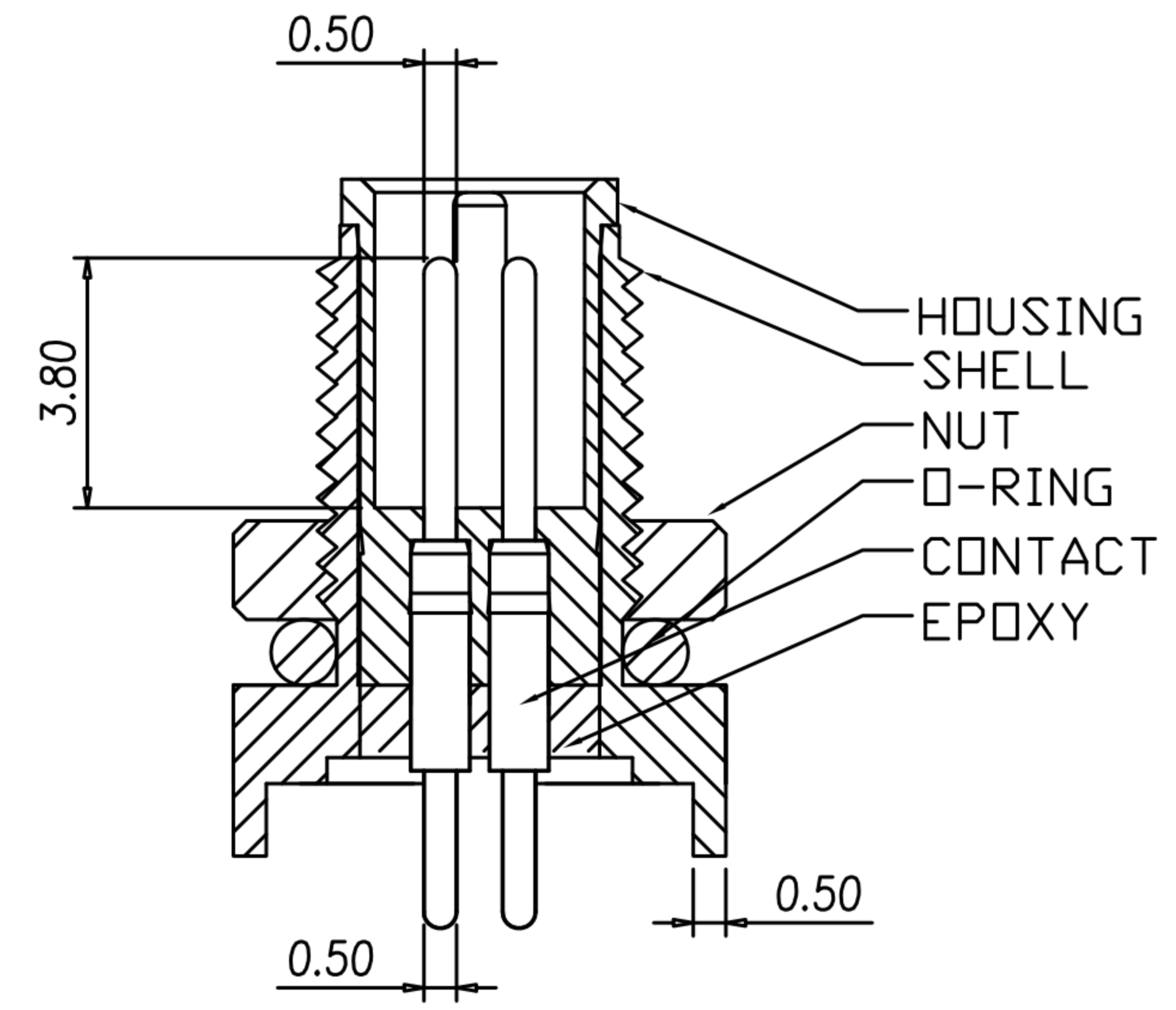
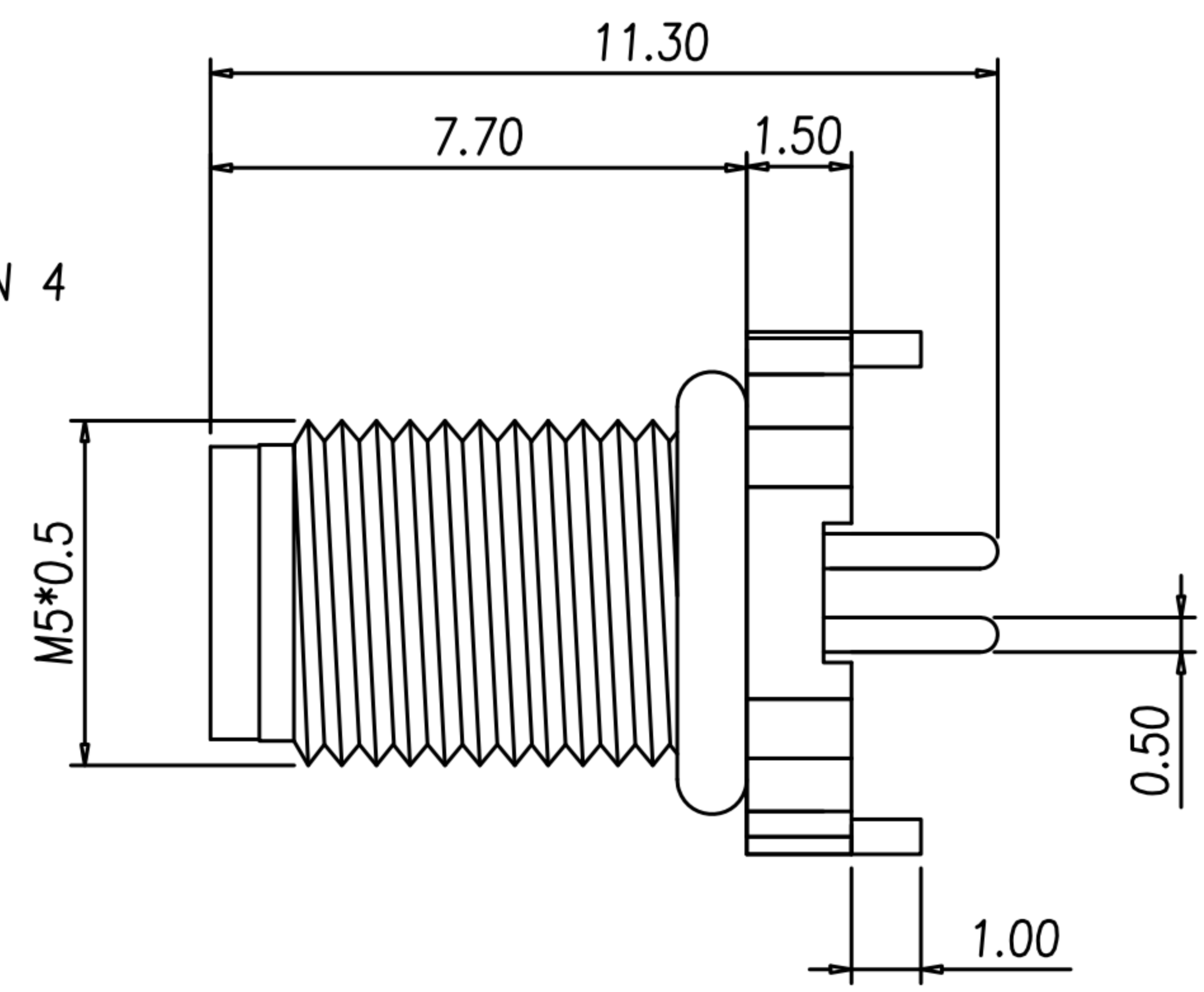
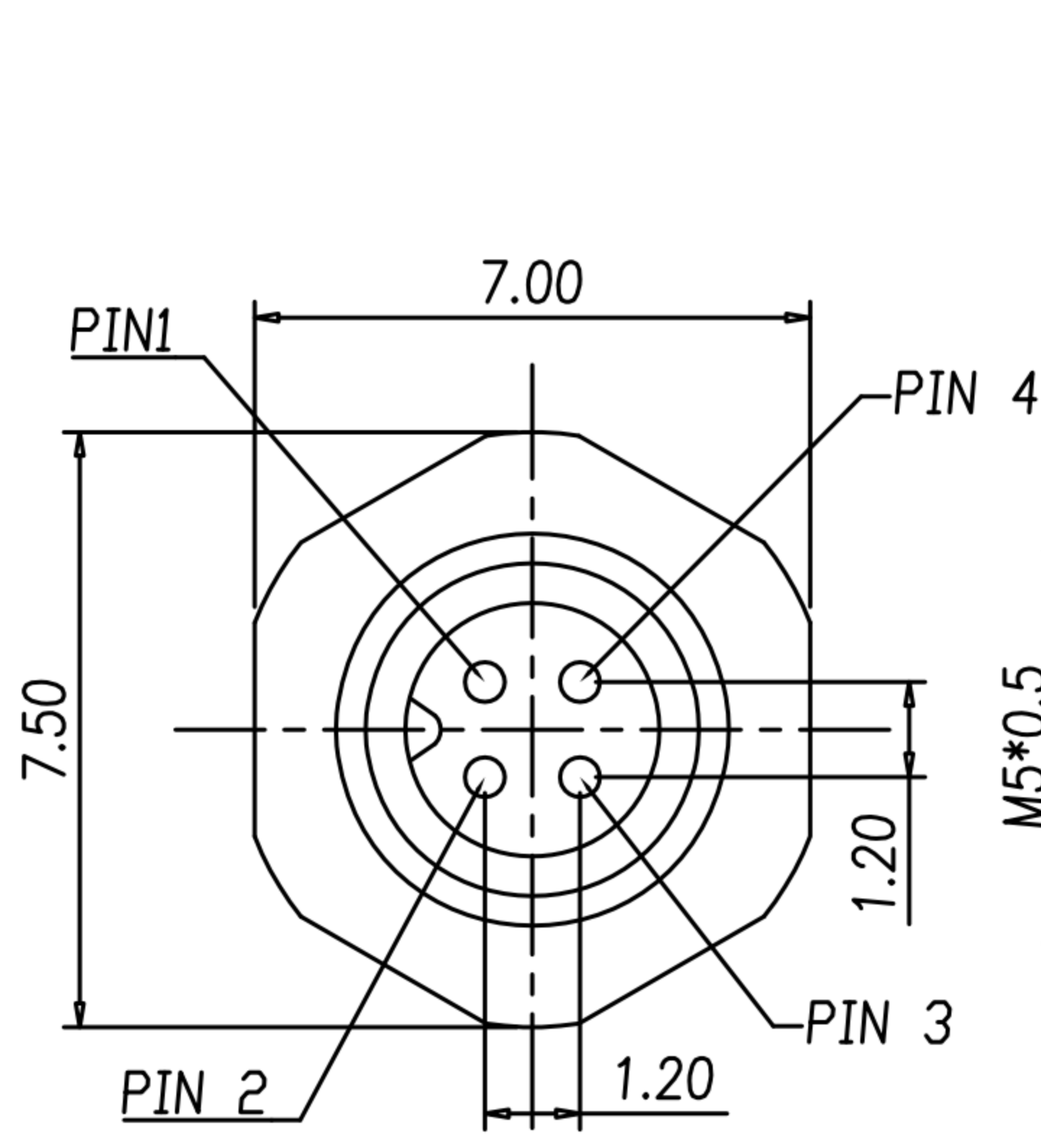


CUSTOMER DRAWING

REV.	DESCRIPTION	APPROVED BY	DATE	ECN NO.
△A	RELEASE	Fido Weng	22/03/10*	
△B	新增料號		30/07/14*	
△C				



- MATERIAL :
 - 1-1. HOUSING : PBT UL94V-0 ; COLOR : BLACK
 - 1-2. CONTACT : BRASS
 - 1-3. NUT : BRASS
 - 1-4. SHELL : BRASS
 - 1-5. O-RING : NBR ; COLOR : BLACK
- FINISH :
 - 2-1. CONTACT : GOLD FLASH MICRO INCHES MIN.
 - 2-2. NUT : SEE TABLE A
 - 2-3. SHELL : NICKEL PLATED.
- ELECTRICAL SPECIFICATION :
 - 3-1. Rated current : 1A
 - 3-2. Rated Voltage : 60V
 - 3-3. Water proof: IP67
- Environmental :
 - 4-1. Operation Temperature : -20 ℃~85℃

TABLE A

△B WP-04M2-98-11	BLACK Cr
WP-04M2-57	NICKEL PLATED 60u"
P/N	NUT FINISH

NUT

DRAWN	Ku Chou	APP'D	Fido Weng	UNIT	mm	TOLERANCE			广东科斯达电子科技有限公司 GUANG DONG KE SI DA ELECTRONIC TECHNOLOGY CO., LTD.	TITLE	M5*0.5 4PIN(M) 新增(總裝加焊點)			SHEET	1
CHK'D	Emily Suen			SCALE	1:1	ANGULA				±1°	PART NO.	SEE TABLE A	DWG NO.	QC5294	