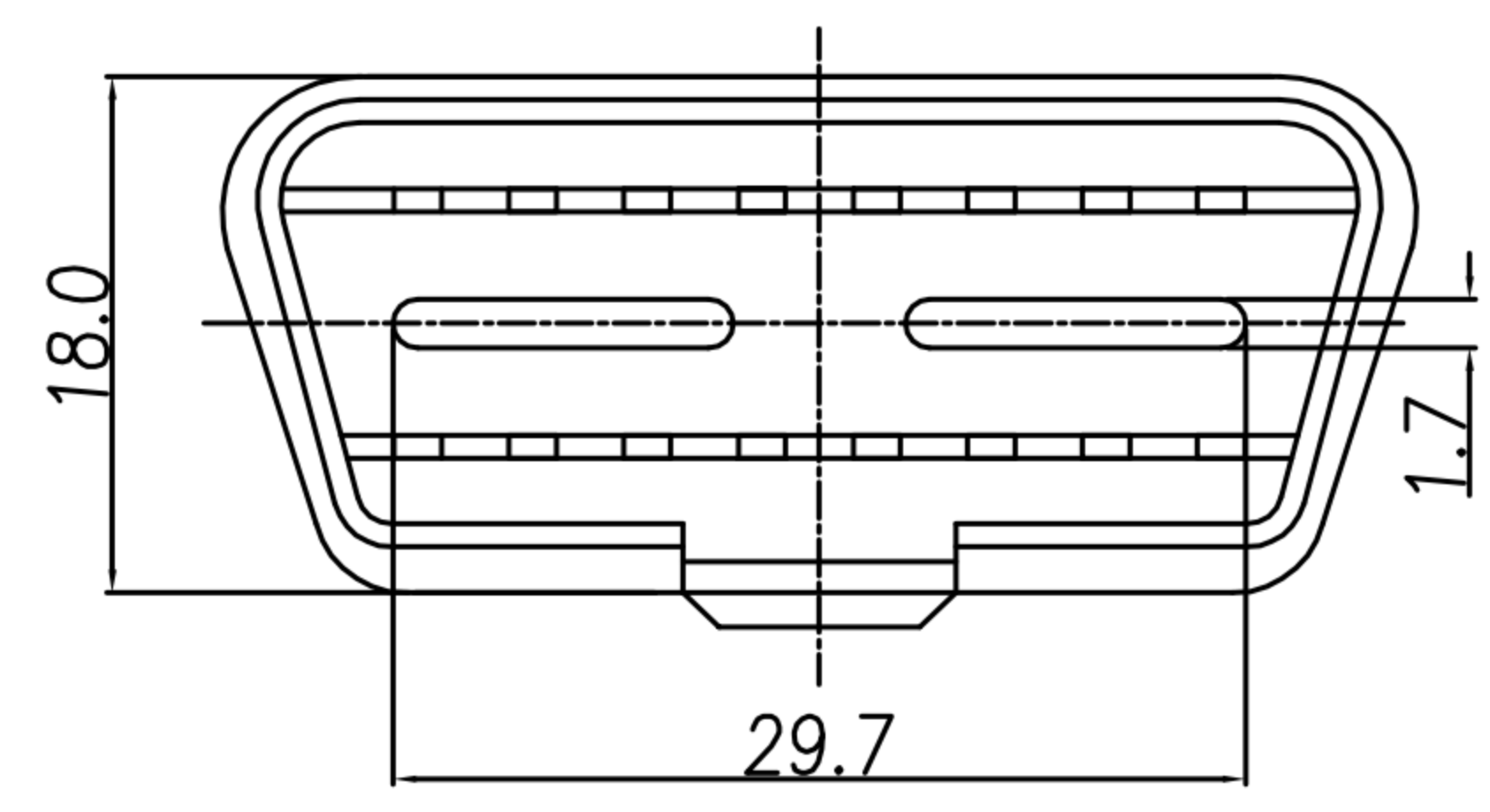
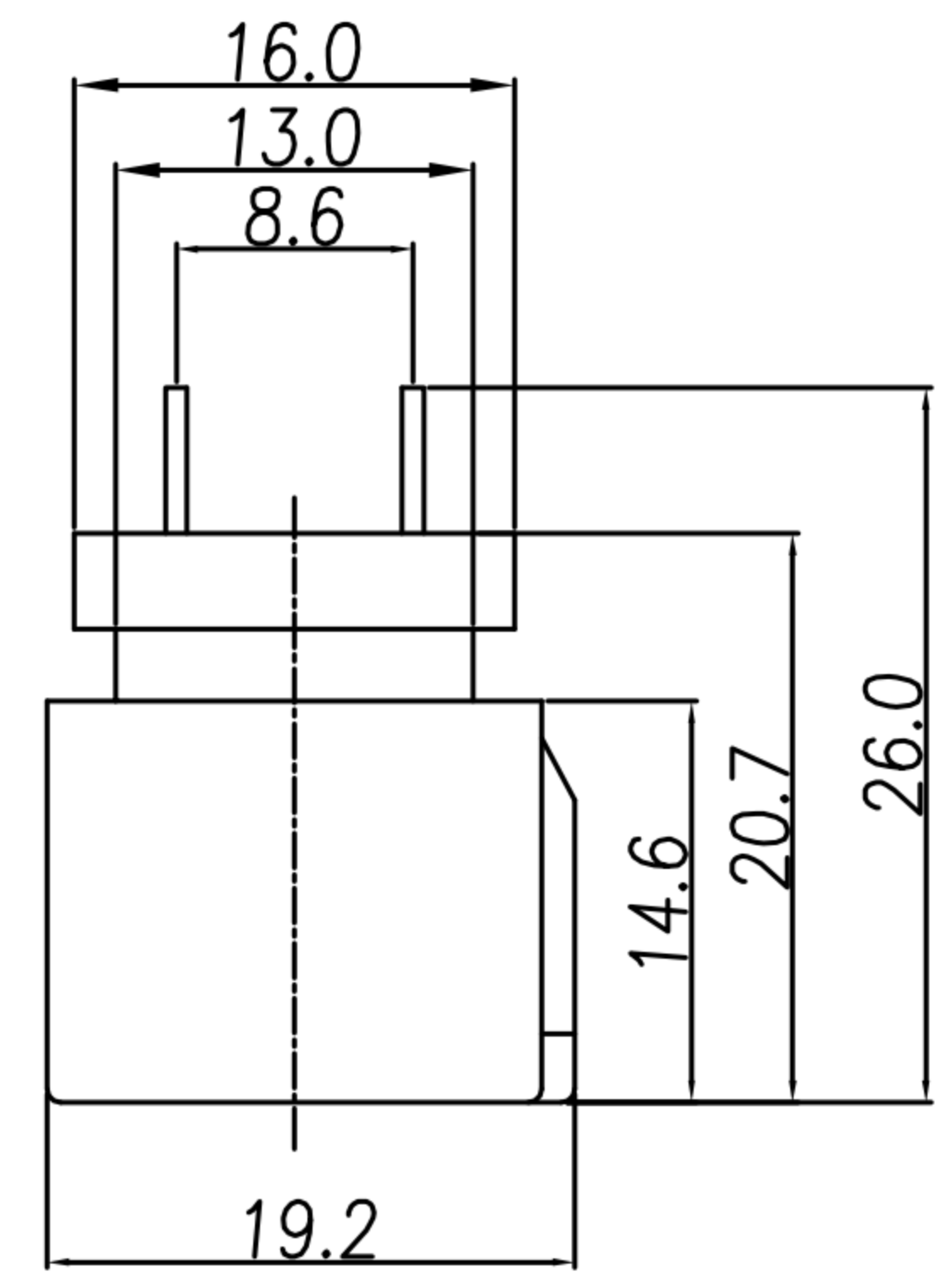
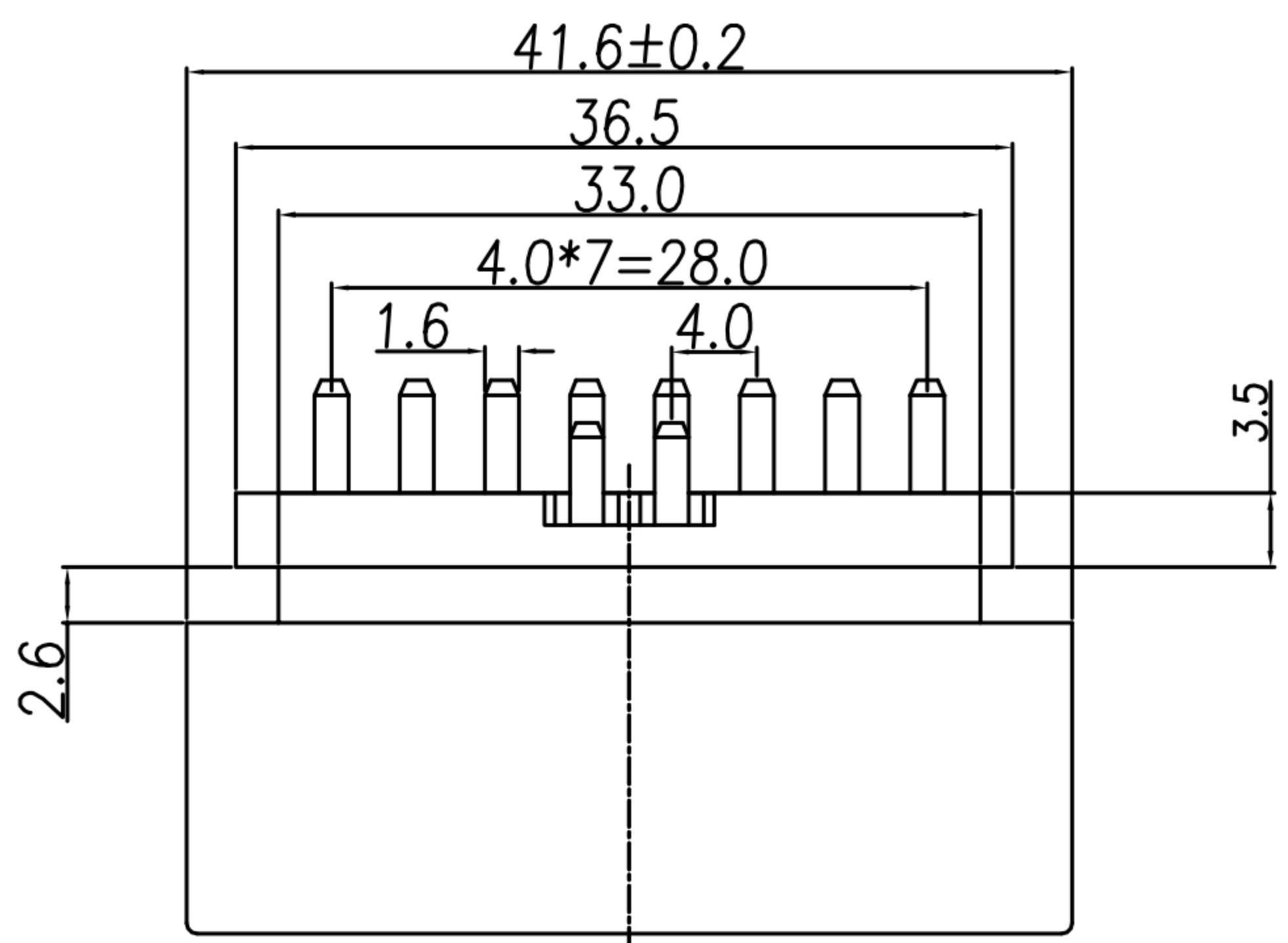
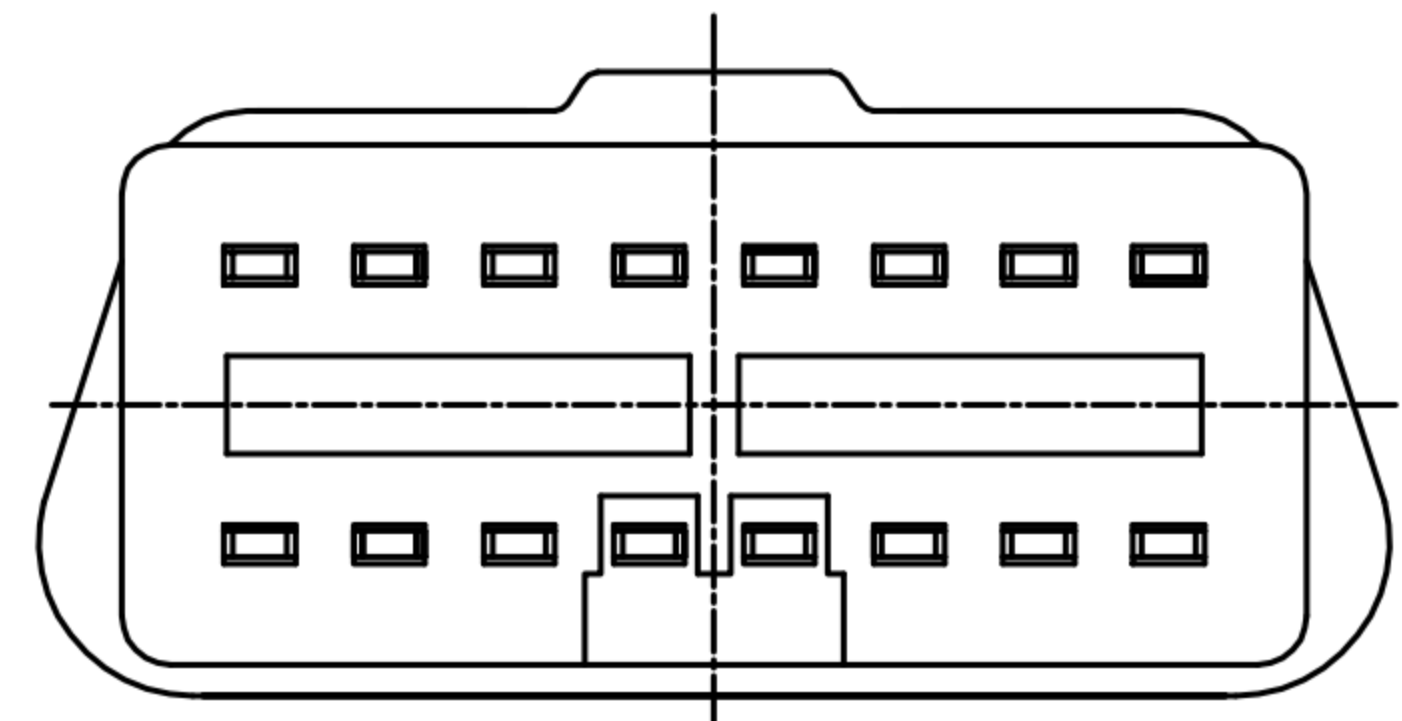


CUSTOMER DRAWING

REV.	DESCRIPTION	APPROVED BY	DATE	ECN NO.
△A	RELEASE	Fido Weng	04/03/19*	
△B				
△C				



1. MATERIAL :
 - 1-1. HOUSING : NYLON 66 ; COLOR : BLACK
 - 1-2. CONTACT : BRASS
2. FINISH :
 - 2-1. CONTACT : NICKEL PLATED
3. ELECTRICAL SPECIFICATION :
 - 3-1. Rated current : 4A
 - 3-2. Voltage :30V
4. Environmental :
 - 4-1. Operation Temperature : -40℃~105℃

DRAWN	Jen Xie	APP'D	Fido Weng	UNIT	mm	TOLERANCE		广东科斯达电子科技有限公司 GUANG DONG KE SI DA ELECTRONIC TECHNOLOGY CO., LTD.	TITLE	OBD2 16P (M) 焊線式帶卡槽(雙隔板)			SHEET	1
CHK'D	Emily Suen			SCALE	1:1	.x ±0.20 .xx ±0.10 .xxx ±0.05 .xxxx ±0.03 ANGULA ±1°			PART NO.	0BD2-16M1-71-01	DWG NO.	QC9093	VERSION	A