

CUSTOMER DRAWING

REV.	DESCRIPTION	APPROVED BY	DATE	ECN NO.
△A				
△B				
△C				

包裝說明:

1. 如圖所示,將成品按規定之包裝數量置入盤子中,並在盤上貼上盤面標籤一張
2. 10盒盤子一個單位以模帶封住,在裝入箱內,再封膠帶
3. 紙箱封蓋後以封箱帶封箱,並在側面貼上出貨標籤和ROHS標籤
4. 標籤:若有客戶另有貼標籤要求,則按其訂單注明之要求貼
5. 紙箱尺寸及印刷包材圖面(總重量僅供參考,以實際出貨為準)
6. 未滿之零數箱,需以緩衝材料填滿
7. 在搬運過程中要輕拿輕放.
8. 載運輸中不可堆放過多,不可有重壓現象.
8. 紙箱:SEE TABLE A
9. 一盤:100PCS
10. 一箱:10盤1000PCS

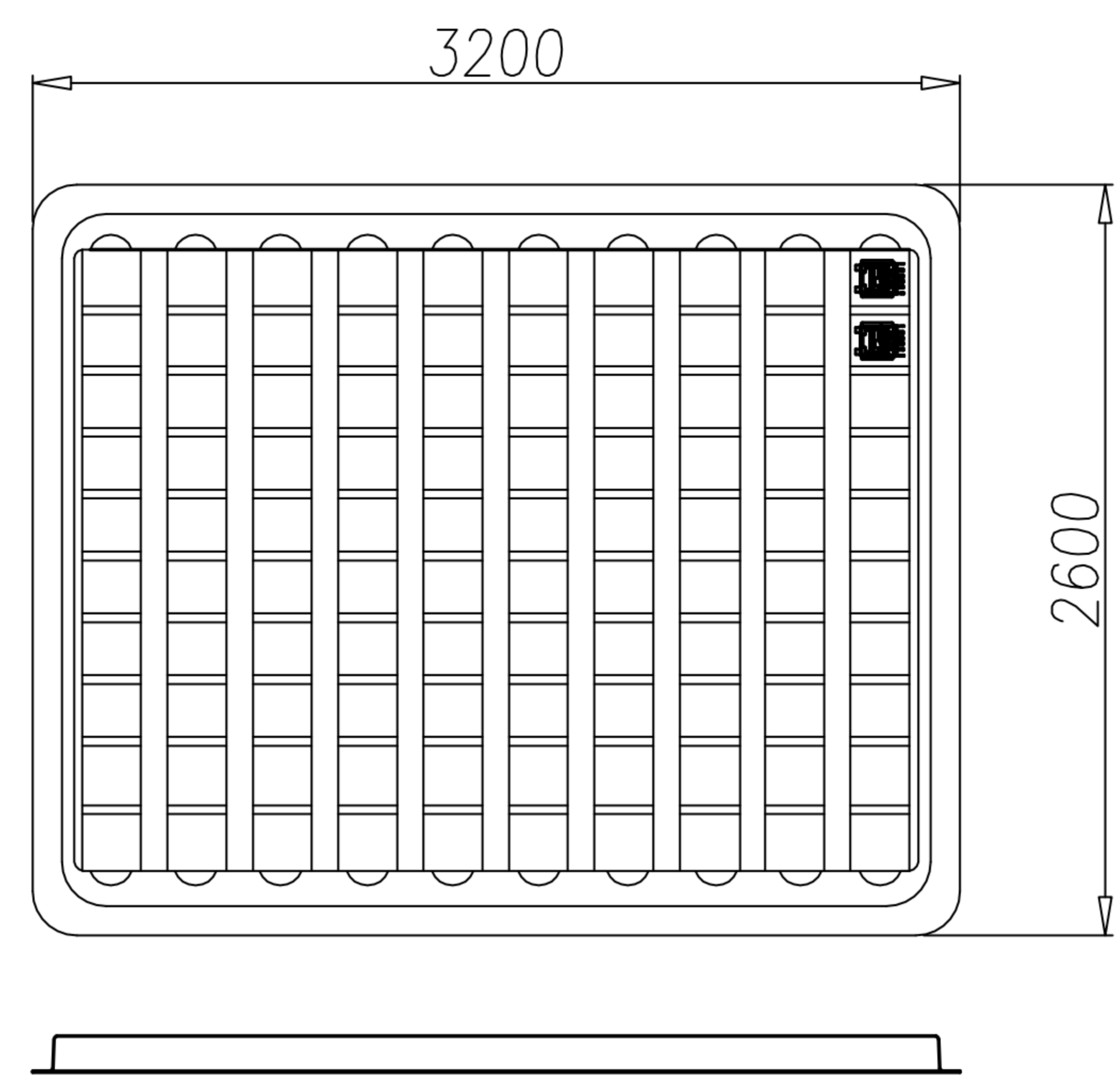
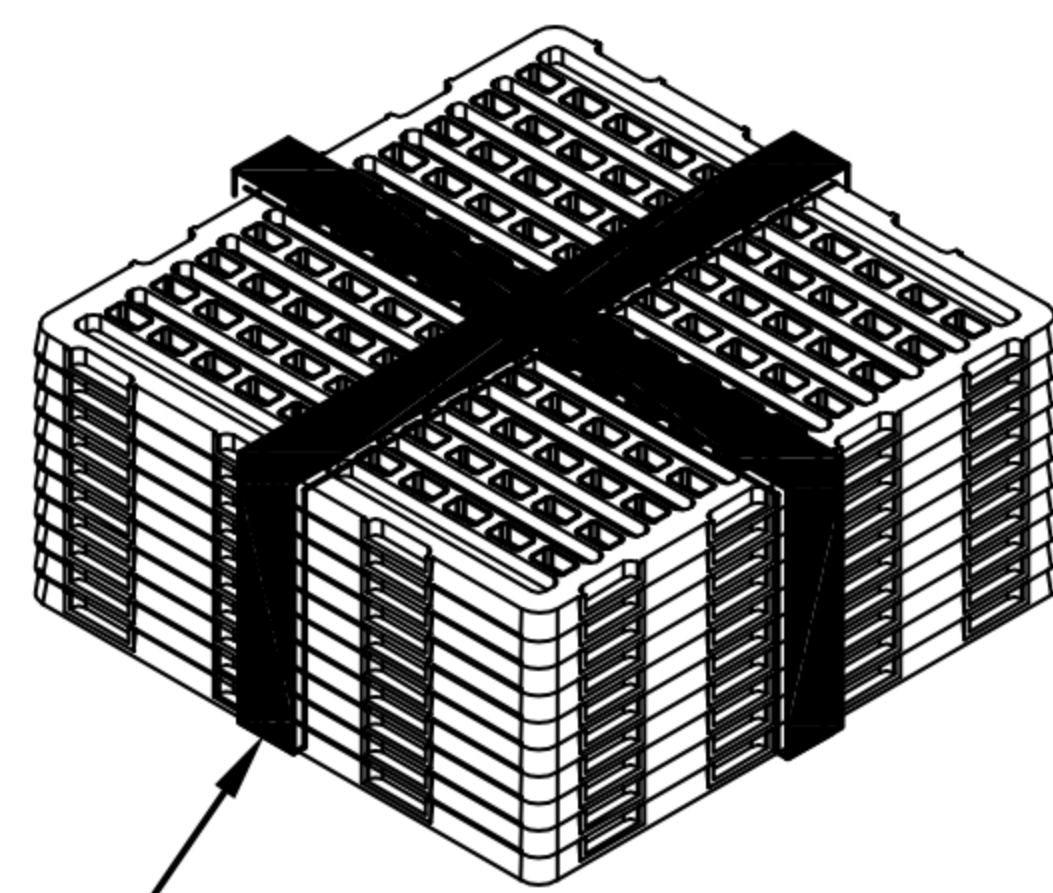
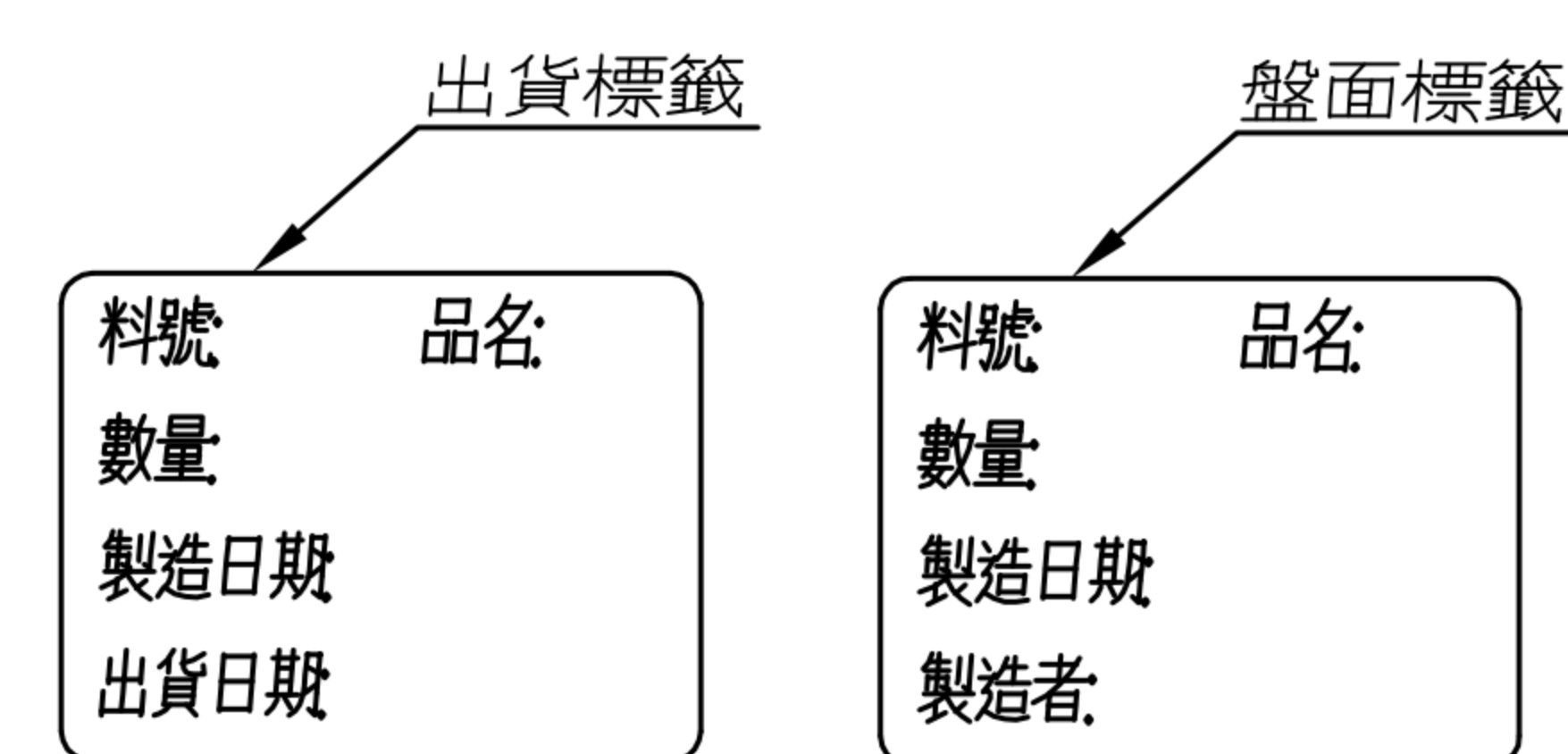
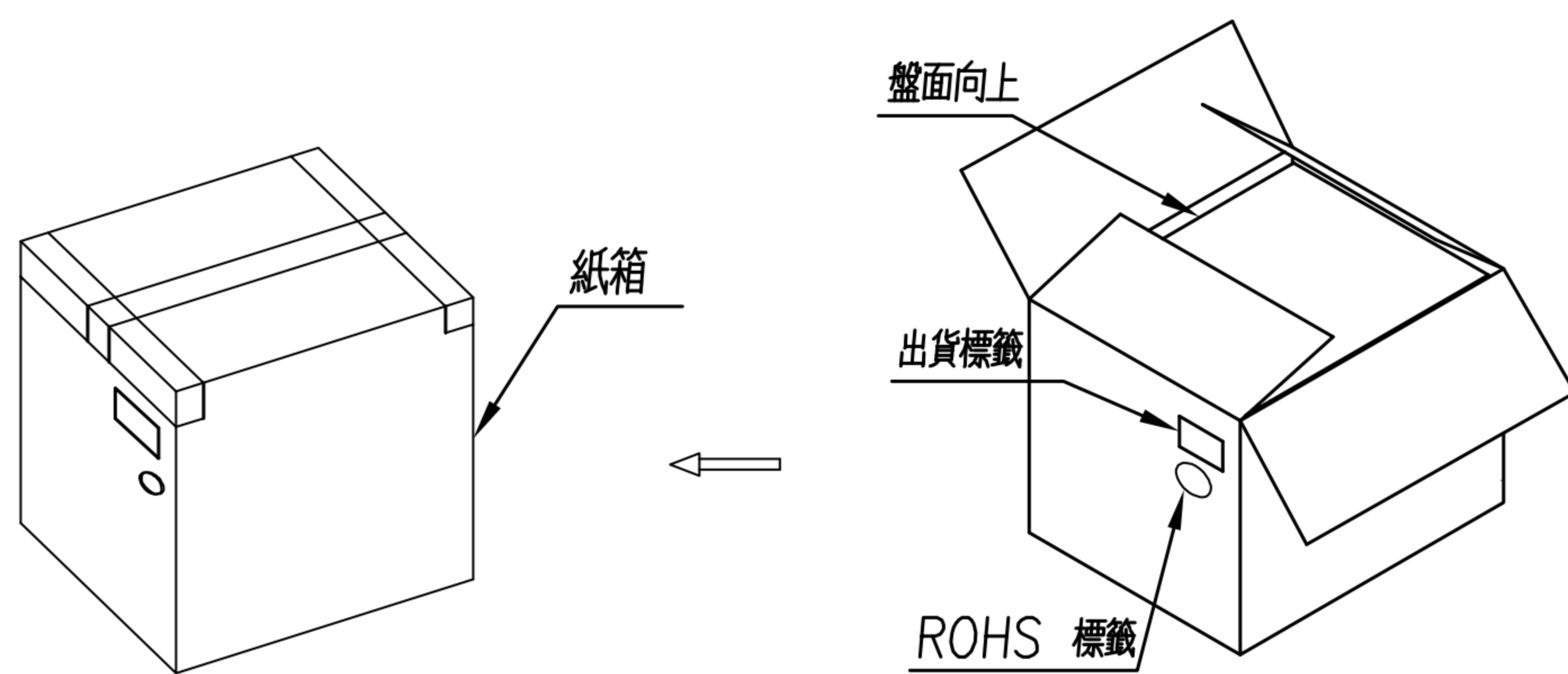


TABLE A

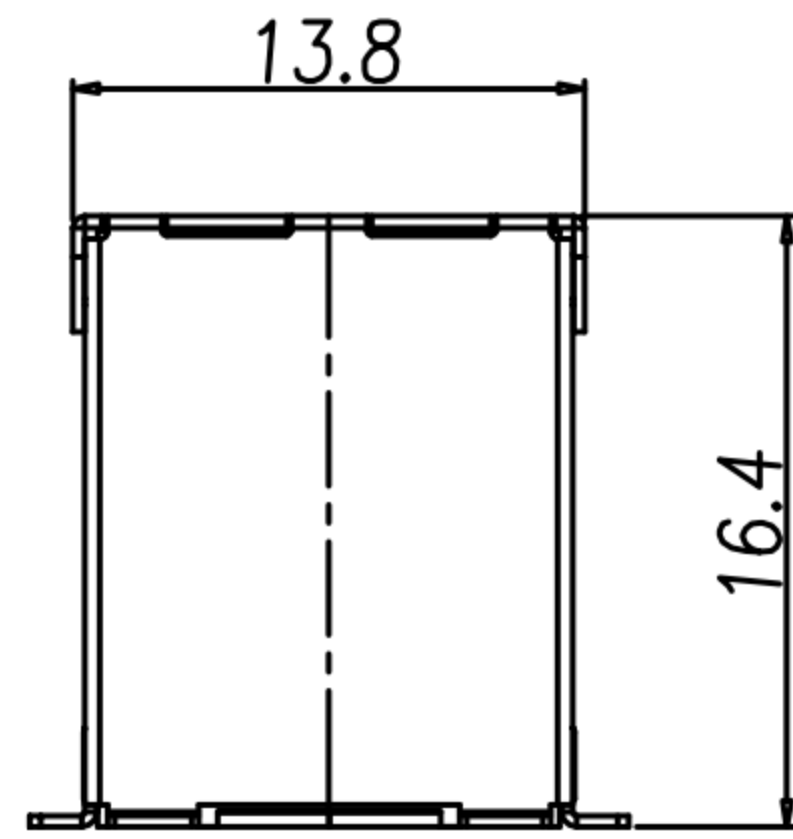
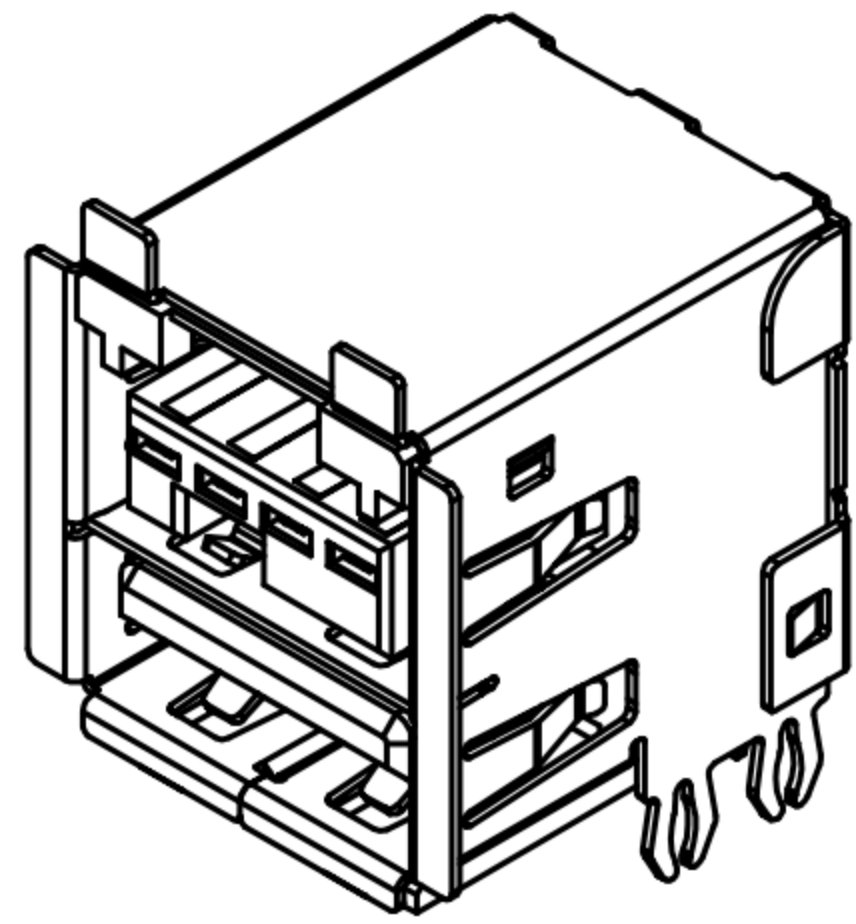
✓	PK-BOX002	F-008(1.02才紙箱)	L=415mm,W=297mm,H=242mm
	PK-BOX003	F-009(0.4才紙箱)	L=373mm,W=233mm,H=133mm
	PK-BOX004	F-010(0.7才紙箱)	L=333mm,W=236mm,H=221mm
	PK-BOX018	硬紙箱0.4才	L=373mm,W=233mm,H=133mm
	PK-BOX019	紙箱1.06才(全不印字)	L=321mm,W=267mm,H=345mm
	P/N	包材名稱	備註



DRAWN	Yeh Chou	APP'D	Fido Weng	UNIT	mm	TOLERANCE			TITLE	USB POWER 8PIN(F)			SHEET	2
CHK'D	Emily Suen			SCALE	1:1	.x ±0.10 .xx ±0.05 .xxx ±0.03 .xxx ±0.01 ANGULA ±1°			PART NO.	PK-US0006	DWG NO.	QC2897	VERSION	C

CUSTOMER DRAWING

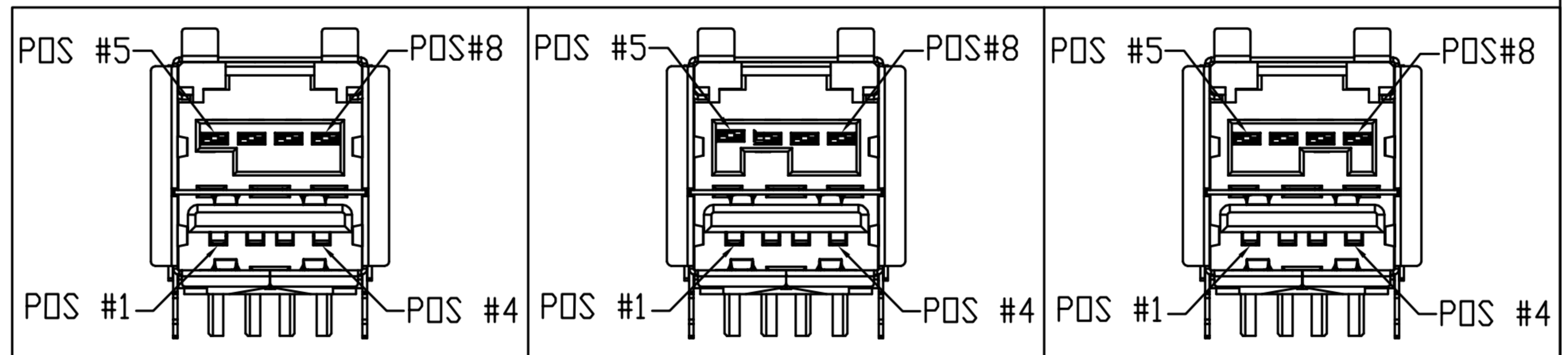
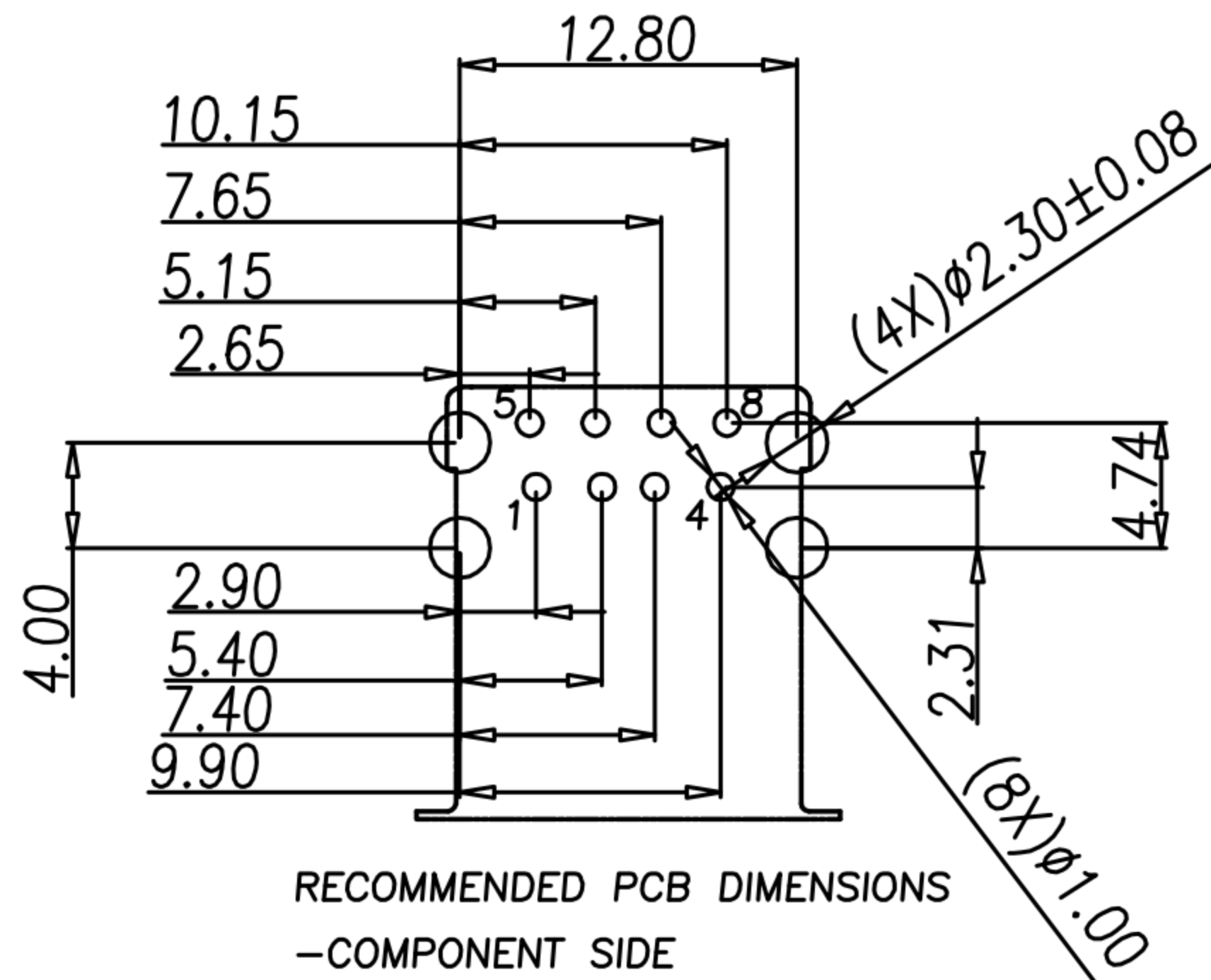
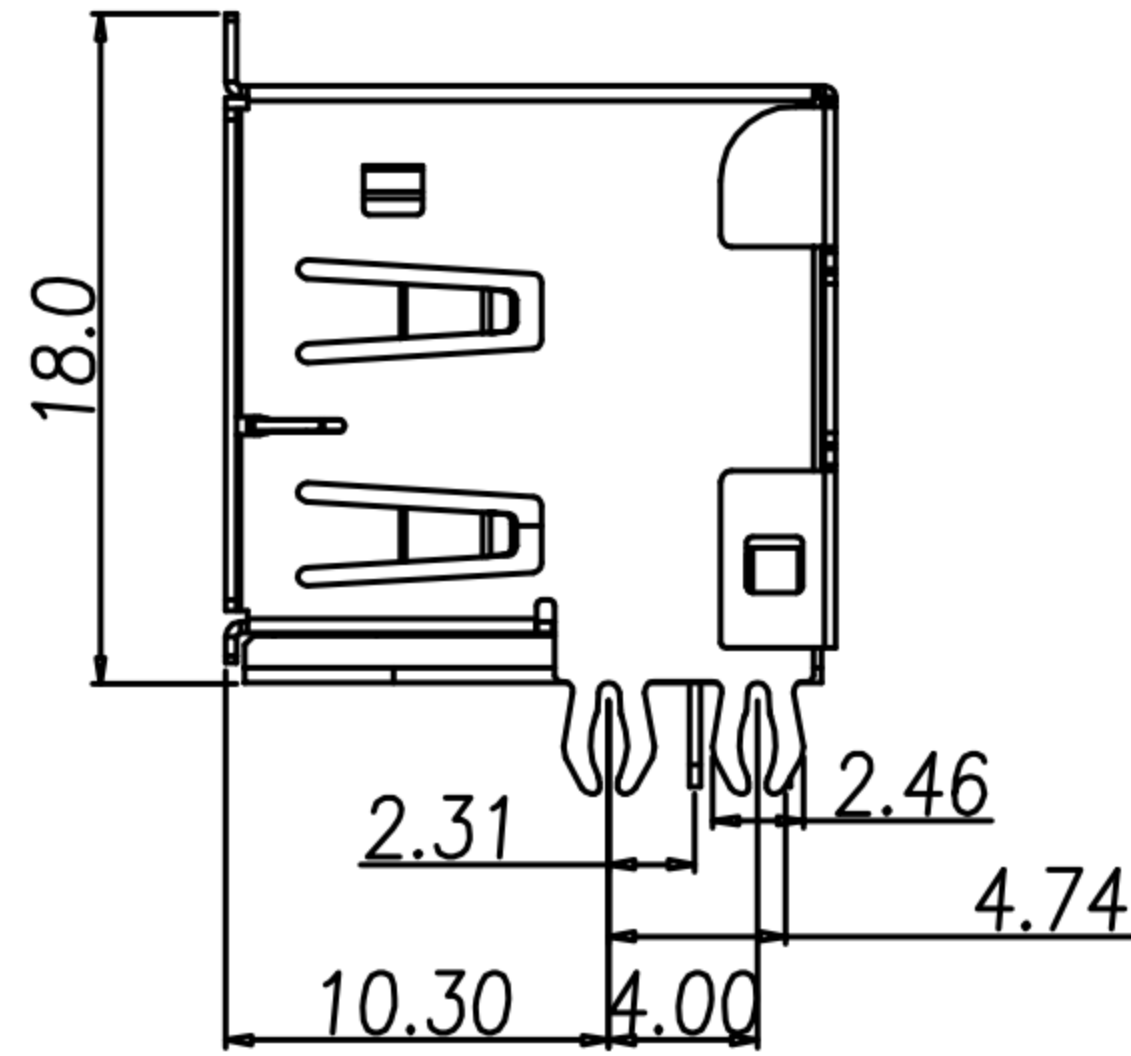
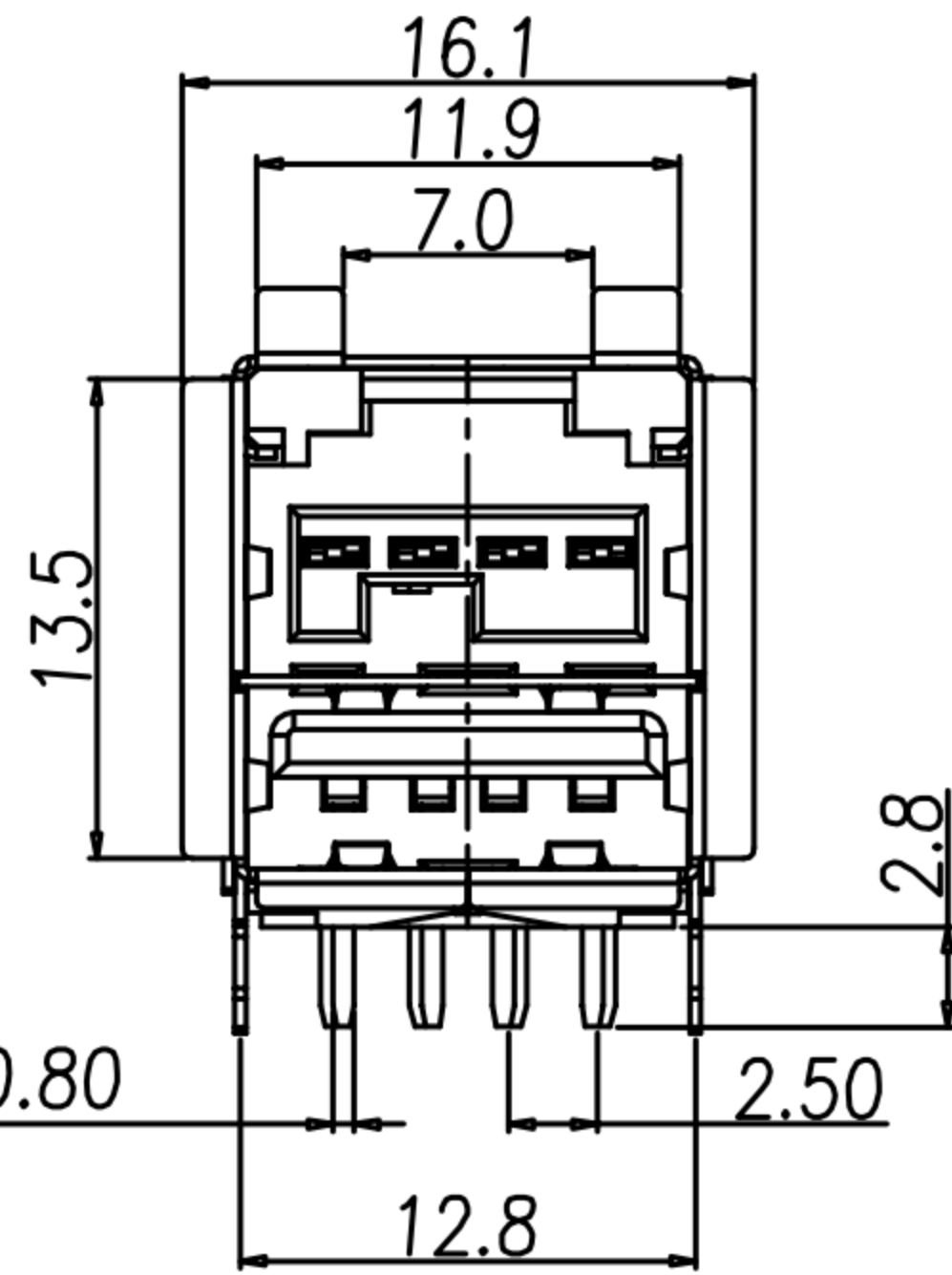
REV.	DESCRIPTION	APPROVED BY	DATE	ECN NO.
A	RELEASE	Fido Weng	23/02/09'	
B				
C				



CONTACT ASSIGNMENTS

CONTACT NUMBER	SIGNAL NAME
SHELL	SHIELD
1	VBUS
2	D-
3	D+
4	USB GROUND
5	PWR GROUND
6	VPLUS
7	VPLUS
8	PWR GROUND

- MATERIAL :
 - 1-1. HOUSING : NYLON46 UL94V-0 ; COLOR : SEE TABLE A
 - 1-2. CONTACT : PHOSPHOR BRONZE, t=0.3
 - 1-3. SHELL : BRASS, t=0.3
 - 1-4. SHRAPNEL : PHOSPHOR BRONZE
- FINISH :
 - 2-1. CONTACT : CONTACT AREA : 30u" MIN. GOLD PLATING
SOLDER AREA : MATTE-TIN
UNDER PLATE : 50u" MIN. NICKEL
 - 2-2. SHELL : 60u"~100u" NICKEL OVER ALL
 - 2-3. SHRAPNEL : 60u"~100u" NICKEL OVER ALL
- ELECTRICAL :
 - 3-1. CURRENT RATING : 1.5A USB SECTION
3.0A POWER SECTION
 - 3-2. VOLTAGE RATING : USB; 5.25V DC,+POWER; 12V DC, 24V DC, 5V DC
 - 3-3. DIELECTRIC WITHSTANDING VOLTAGE : 750V AC
 - 3-4. INSULATION RESISTANCE : 1000 MΩ AT 500V DC
 - 3-5. CONTACT RESISTANCE : 30m Ohm MAX
 - 3-6. MATING CYCLES : 5000 CYCLE
- ENVIRONMENTAL :
 - 4-1. OPERATION TEMPERATURE : -40°C~85°C



US-08F2-02 12V(KEY POSITION1) HOUSING COLOR : GREEN	US-08F2-01 24V(KEY POSITION2) HOUSING COLOR : RED	US-08F2-03 5V(KEY POSITION3) HOUSING COLOR : BLACK
---	---	--

DRAWN	Mark Kao	APP'D	Ku Chou	UNIT	mm	TOLERANCE		TITLE	USB POWER 8PIN(F)			SHEET
CHK'D	Emily Suen			SCALE	1:1	.x ±0.20 .xx ±0.10 .xxx ±0.05 .xxxx ±0.03 ANGULA ±1°		PART NO.	SEE TABLE A	DWG NO.	QC2897	 VERSION A

广东科斯达电子科技有限公司
 GUANG DONG KE SI DA ELECTRONIC TECHNOLOGY CO., LTD.