

CUSTOMER DRAWING

REV.	DESCRIPTION	APPROVED BY	DATE	ECN NO.
A	RELEASE	Fido Weng	10/01/11'	
B				
C				

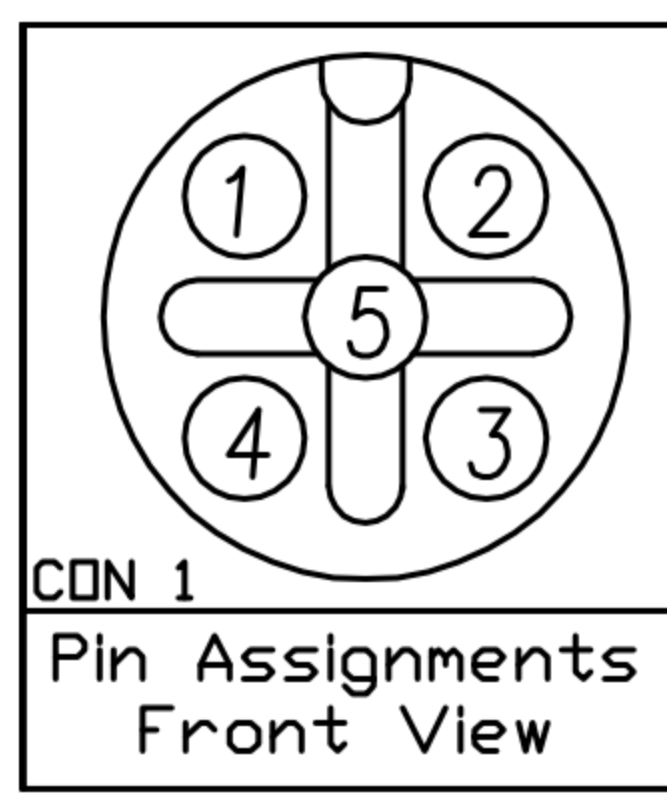
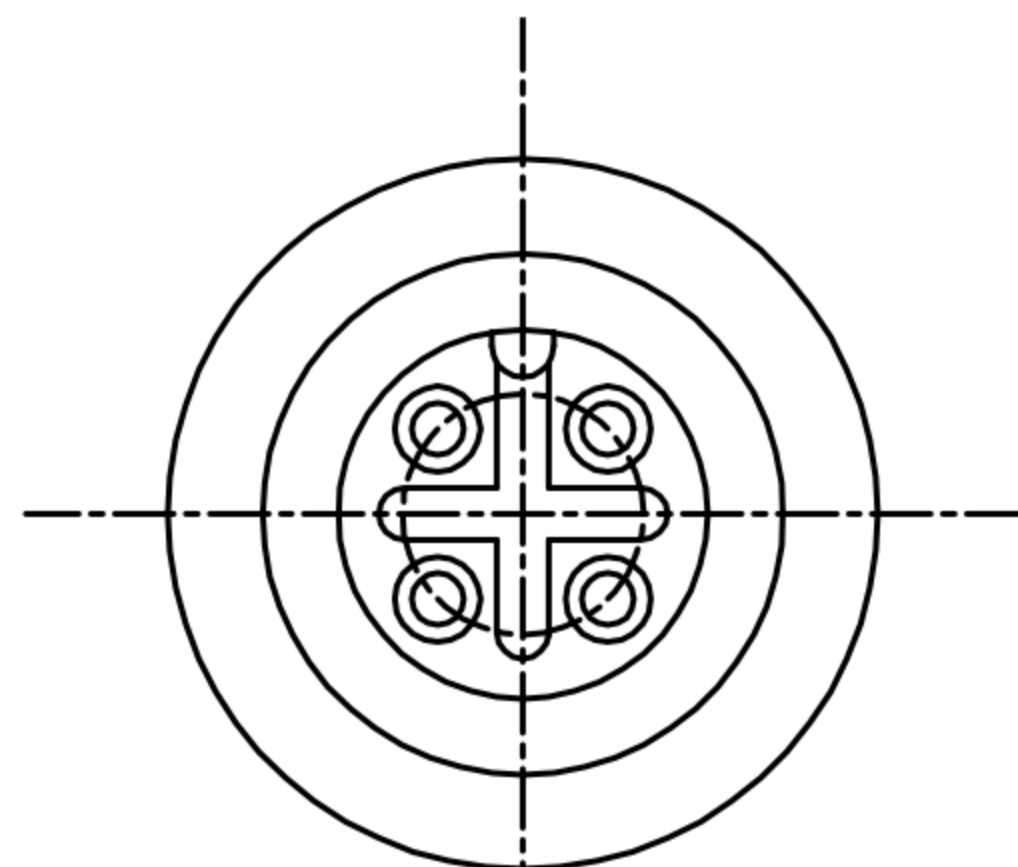
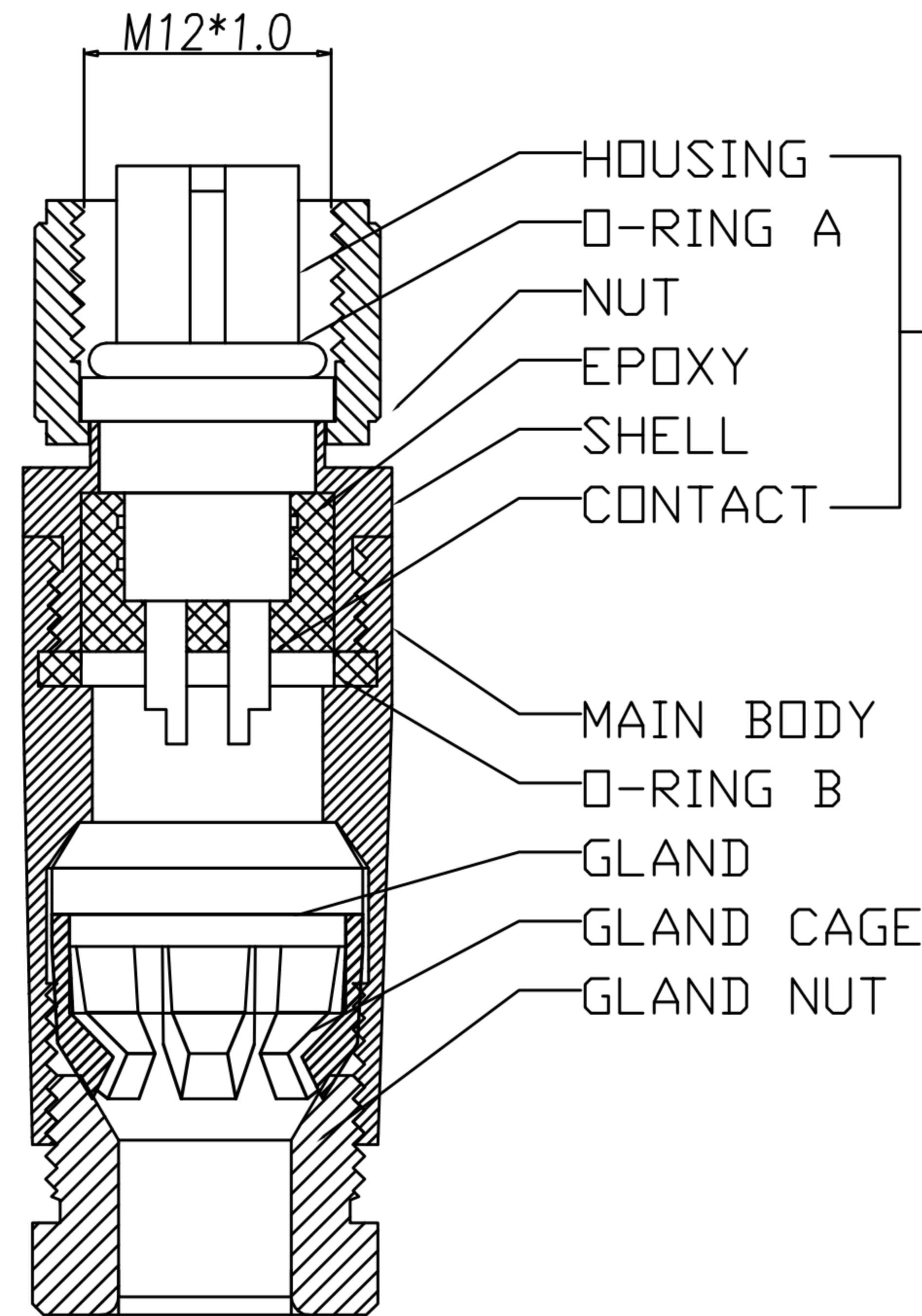
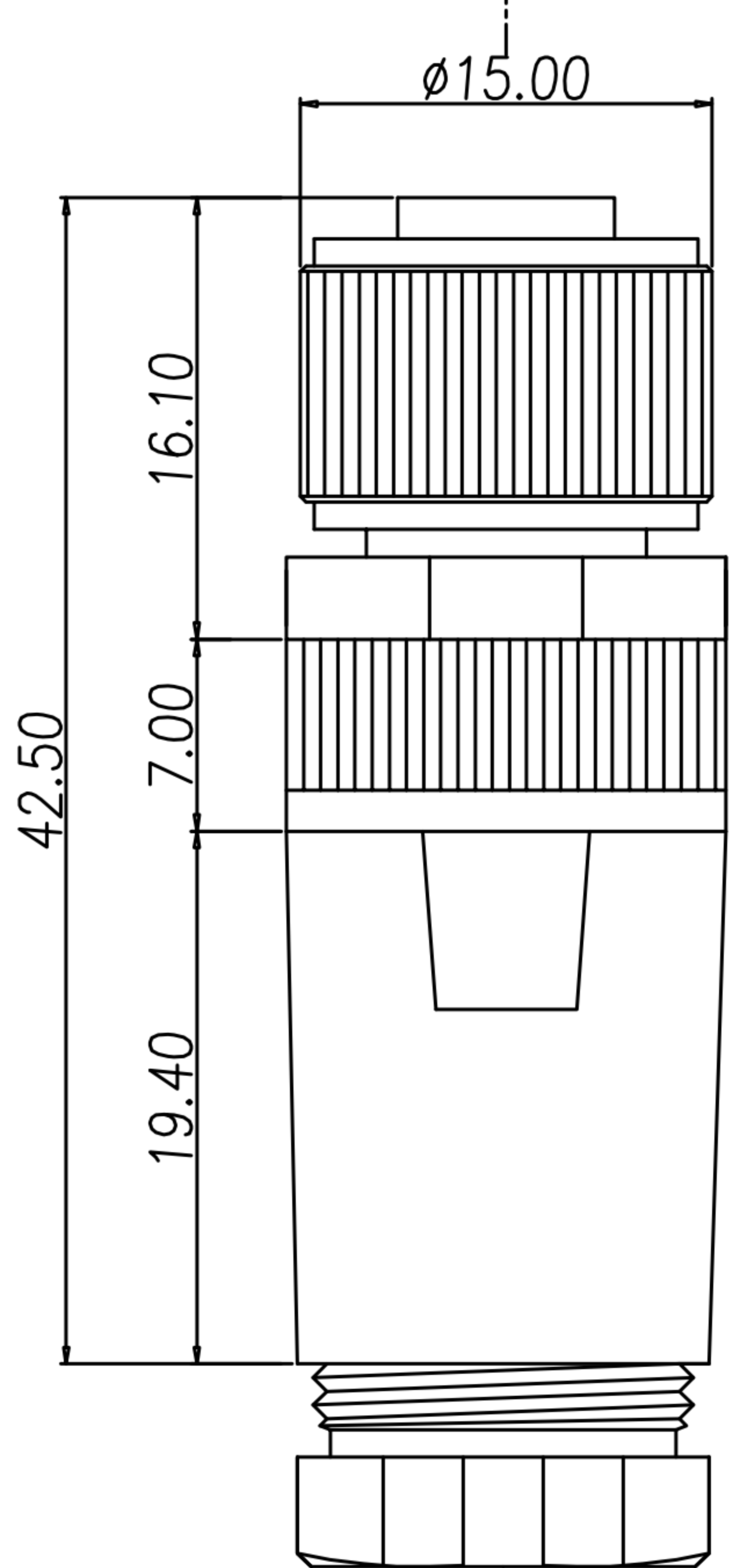


TABLE A

WP-05F2-73 WP-05F2-108-11	WP-04F2-62 WP-04F2-151-11	WP-03F2-53-11 WP-03F2-71-11	WP-03F2-56-11 WP-03F2-74-11	WP-02F2-52-11 WP-02F2-53-11
WP-02F2-52-11	GOLD 10u"	WP-02F2-53-11	GOLD FLASH	
WP-03F2-71-11	GOLD 10u"	WP-03F2-56-11	GOLD FLASH	
WP-04F2-151-11	GOLD 10u"	WP-03F2-53-11	GOLD FLASH	
WP-03F2-74-11	GOLD 10u"	WP-04F2-62	GOLD FLASH	
WP-05F2-108-11	GOLD 10u"	WP-05F2-73	GOLD FLASH	
PART NO	FINISH	PART NO	FINISH	



1. MATERIAL :
- 1-1. MATERIAL A :
 - a. HOUSING : PBT UL94V-0 ; COLOR : BLACK.
 - b. CONTACT : BRASS
 - c. NUT : ALUMINIUM ALLOY
 - d. SHELL : ALUMINIUM ALLOY
 - e. O-RING A : EPDM ; COLOR : BLACK
 - 1-2. MAIN BODY : ALUMINIUM ALLOY
 - 1-3. GLAND : SILICONE ; COLOR : BLACK.
 - 1-4. GLAND CAGE : POM ; COLOR : WHITE.
 - 1-5. GLAND NUT : ALUMINIUM ALLOY
 - 1-6. O-RING B : SILICONE ; COLOR : BLACK
2. FINISH :
- 2-1. MATERIAL A :
 - a. CONTACT : SEE TABLE A
 - b. NUT : SATIN NICKEL PLATED.
 - c. SHELL : SATIN NICKEL PLATED.
 - 2-2. MAIN BODY : SATIN NICKEL PLATED.
 - 2-3. GLAND NUT : SATIN NICKEL PLATED.
3. ELECTRICAL SPECIFICATION :
- 3-1. Rated current : 4A
 - 3-2. Rated voltage : 2~4PIN 250V ; 5PIN 60V
 - 3-3. Water proof : IP67
4. Environmental :
- 4-1. Operation Temperature : -20℃~85℃

7.50 RECOMMEND CABLE OD=5.0mm~6.0mm

DRAWN	Ku Chou	APP'D	Emily Suen	UNIT	mm	TOLERANCE			广东科斯达电子科技有限公司 GUANG DONG KE SI DA ELECTRONIC TECHNOLOGY CO., LTD.	TITLE	M12 (F) A-coded Assembly type			SHEET	1
CHK'D	Emily Suen			SCALE	1:1					PART NO.	SEE TABLE A	DWG NO.	QC5210	VERSION	A