

CUSTOMER DRAWING

REV.	DESCRIPTION	APPROVED BY	DATE	ECN NO.
△A	RELEASE	Fido Weng	27/10/14*	
△B				
△C				

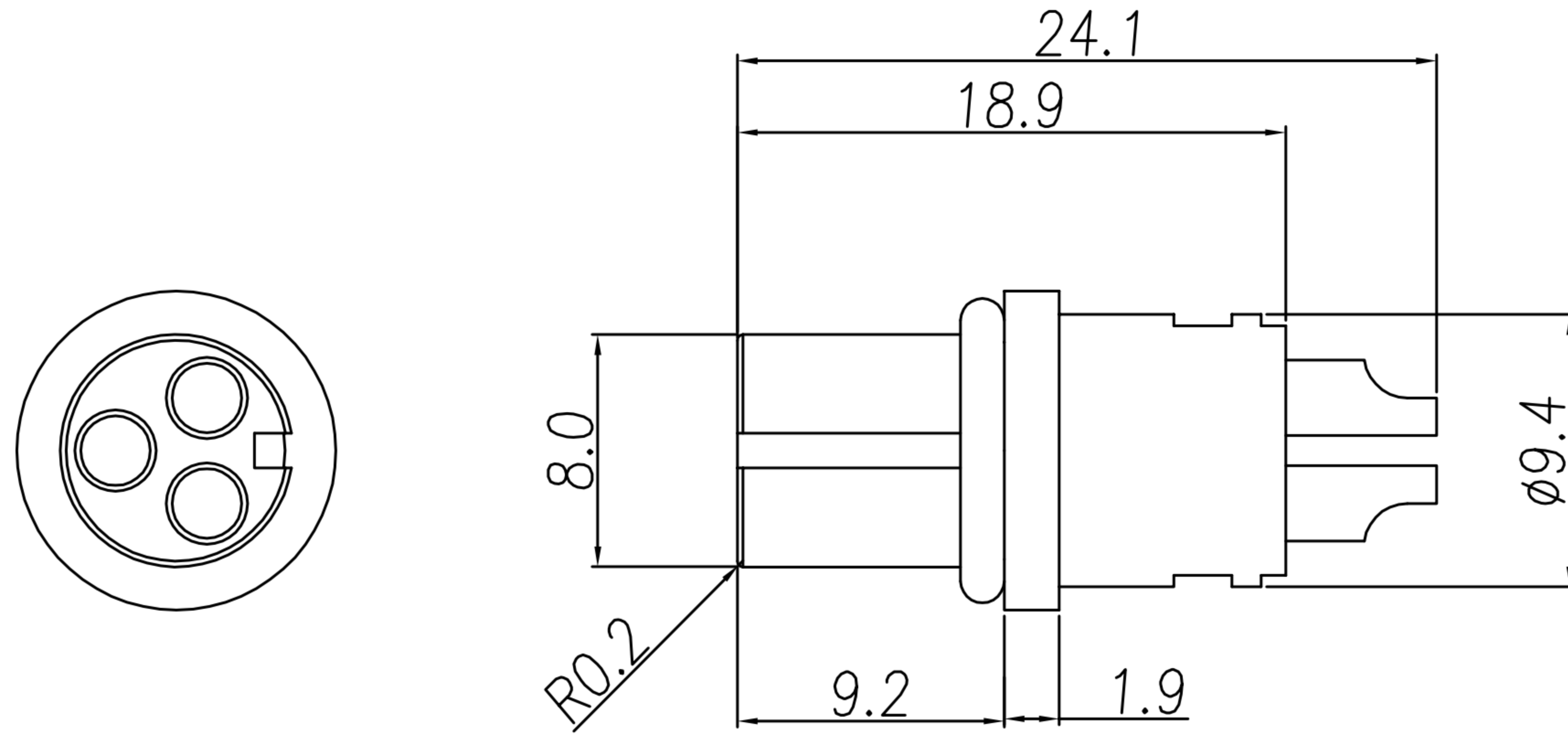
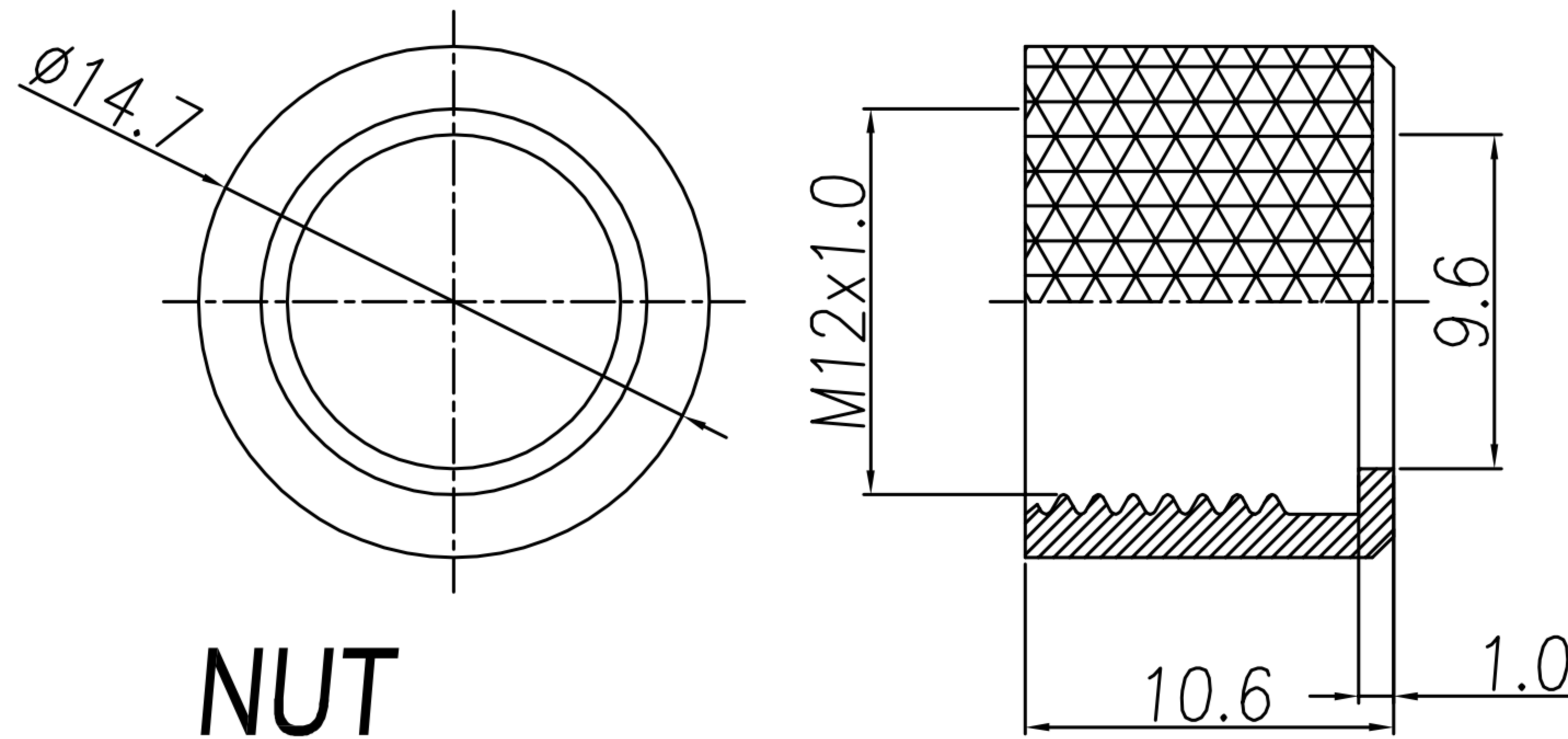


TABLE A

WP-03F2-47-11	WP-02F2-30-11



NUT

- MATERIAL :
  - 1-1. HOUSING : PBT UL94V-0 ; COLOR : BLACK
  - 1-2. CONTACT : BRASS
  - 1-3. NUT : BRASS
  - 1-4. O-RING : EPDM; COLOR : BLACK
- FINISH :
  - 2-1. CONTACT : GOLD PLATED
  - UNDER PLATE : NICKEL
  - 2-2. NUT : NICKEL PLATED
- ELECTRICAL SPECIFICATION :
  - 3-1. Rated current : 15A
  - 3-2. Voltage : 250V
  - 3-3. Water proof: IPX7
- Environmental :
  - 4-1. Operation Temperature : -40℃~85℃

DRAWN	Ku Chou	APP'D	Fido Weng	UNIT	mm	TOLERANCE		广东科斯达电子科技有限公司 GUANG DONG KE SI DA ELECTRONIC TECHNOLOGY CO., LTD.	TITLE	防水头 M12 (F) 成形端子(φ2.0)			SHEET
CHK'D	Emily Suen			SCALE	1:1	.x ±0.20 .xx ±0.10 .xxx ±0.05 .xxxx ±0.03 ANGULA ±1°			PART NO.	SEE TABLE A	DWG NO.	QC6903	VERSION