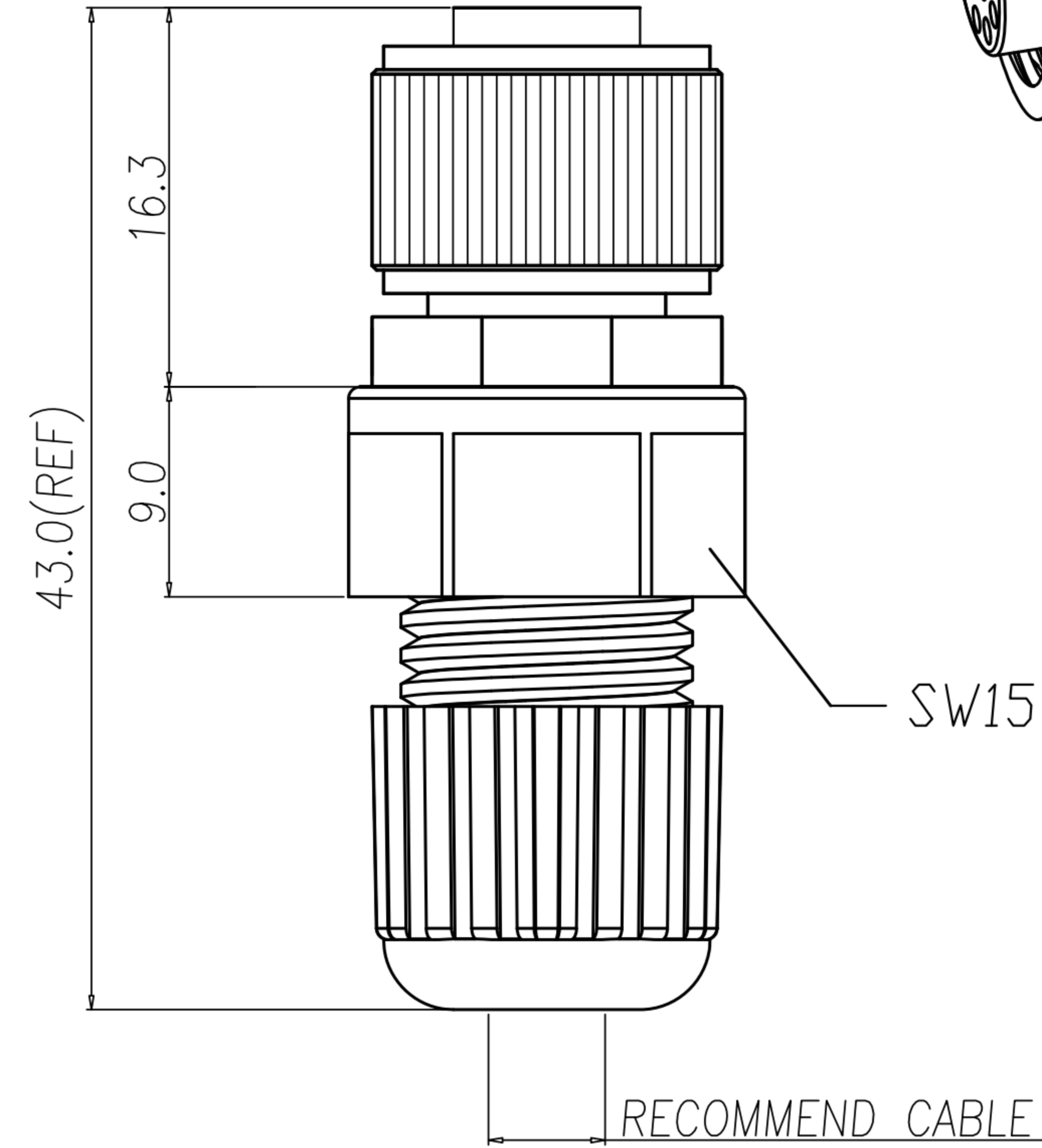
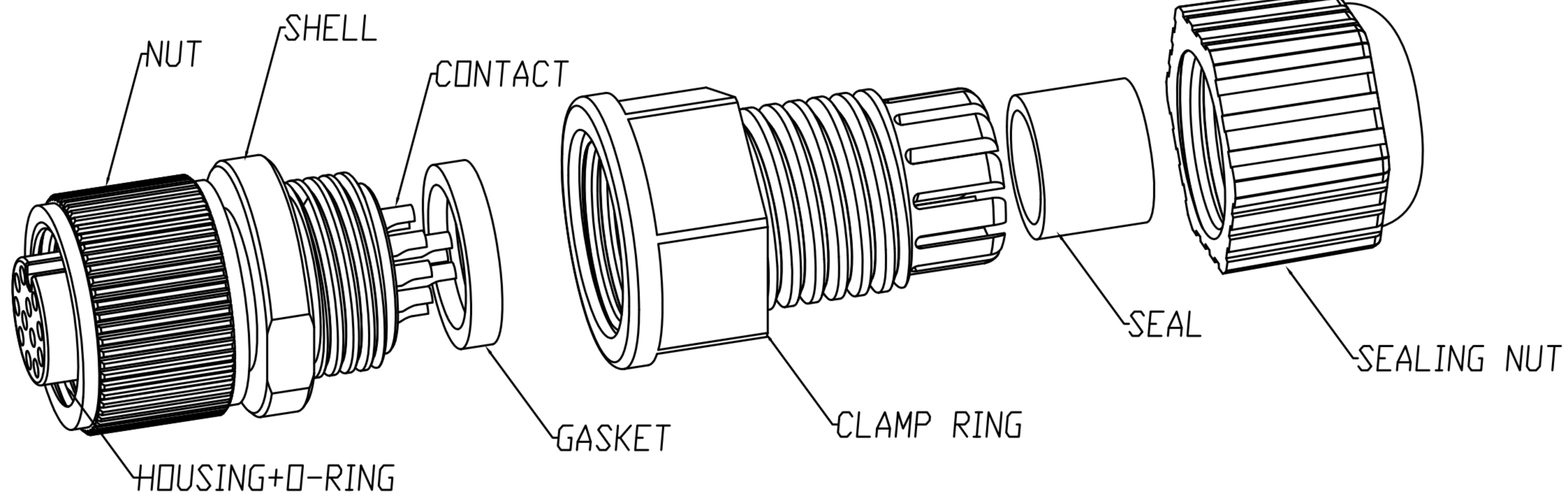
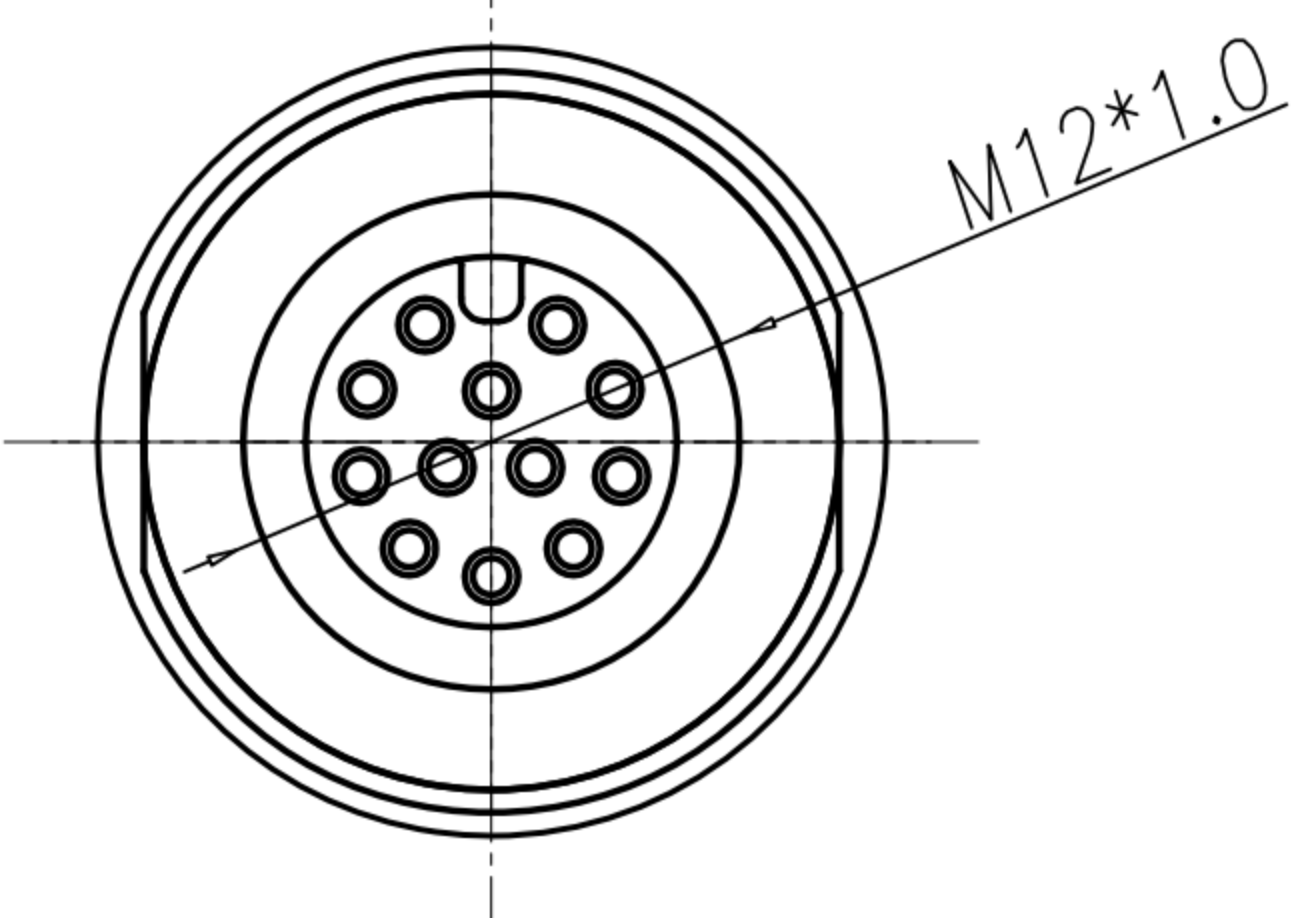


CUSTOMER DRAWING

| REV. | DESCRIPTION | APPROVED BY | DATE | ECN NO. |
|------|-------------|-------------|-----------|---------|
| A | RELEASE | Ku Chou | 22/02/19' | |
| B | | | | |
| C | | | | |



1. MATERIAL :
 - 1-1. HOUSING : PBT UL94V-0 ; COLOR : BLACK.
 - 1-2. CONTACT : BRASS
 - 1-3. SHELL : BRASS
 - 1-4. O-RING : EPDM
 - 1-5. NUT : ALUMINUM ALLOY
 - 1-6. GASKET : SILICONE
 - 1-7. CLAMP RING : PA66
 - 1-8. SEAL : SILICONE
 - 1-9. SEALING NUT : PA66
2. FINISH :
 - 2-1. CONTACT : GOLD FLASH PLATED.
 - 2-2. NUT : NICKEL PLATED.
 - 2-3. SHELL : NICKEL PLATED.
3. ELECTRICAL SPECIFICATION :
 - 3-1. Rated current : 1A
 - 3-2. Rated voltage : 30V
 - 3-3. Water proof : IP67
4. Environmental :
 - 4-1. Operation Temperature : -40℃~105℃

| | | | | | | | | | | | | | | |
|-------|------------|-------|---------|-------|-----|--|--|--|----------|-------------------------------------|---------|---------|---------|--|
| DRAWN | Emily Suen | APP'D | Ku Chou | UNIT | mm | TOLERANCE | | 广东科斯达电子科技有限公司 GUANG DONG KE SI DA ELECTRONIC TECHNOLOGY CO., LTD. | TITLE | M12 (F) A-coded Assembly type(塑膠本體) | | | SHEET | |
| CHK'D | Ku Chou | | | SCALE | 1:1 | .x ±0.20 .xx ±0.10 .xxx ±0.05 .xxxx ±0.03 ANGULA ±1° | | | PART NO. | WP-12F2-39-11 | DWG NO. | QC10532 | VERSION | |