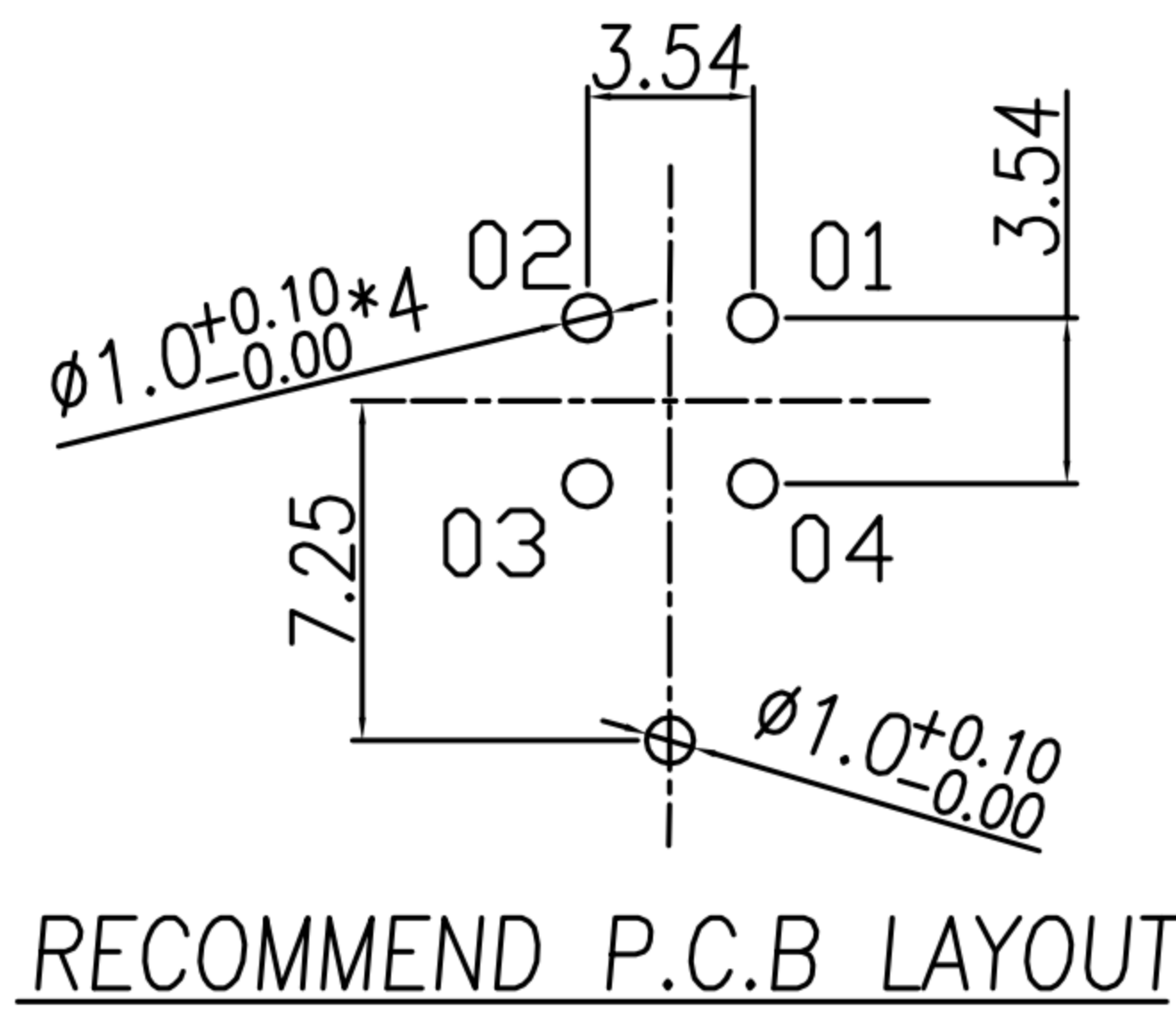
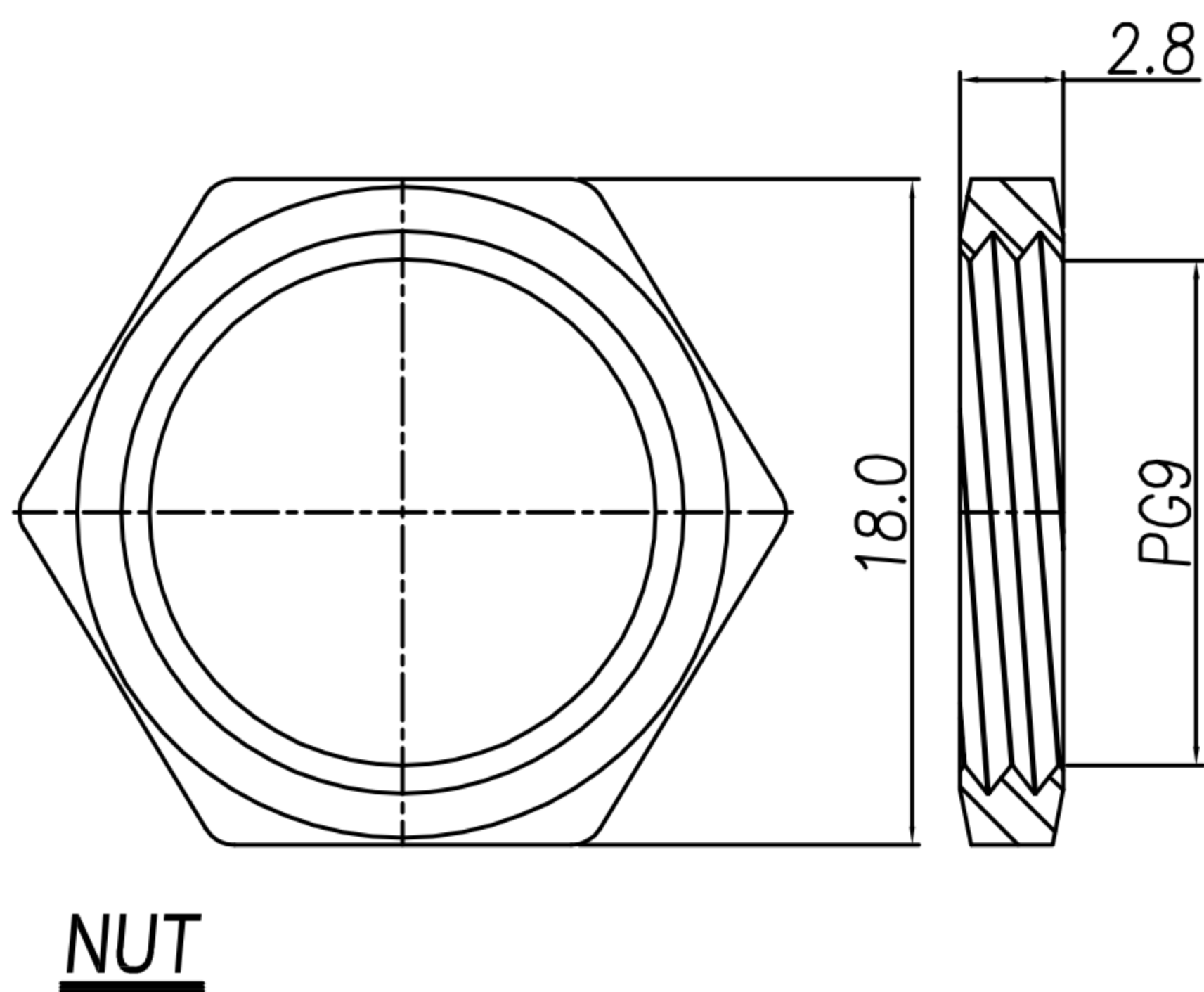
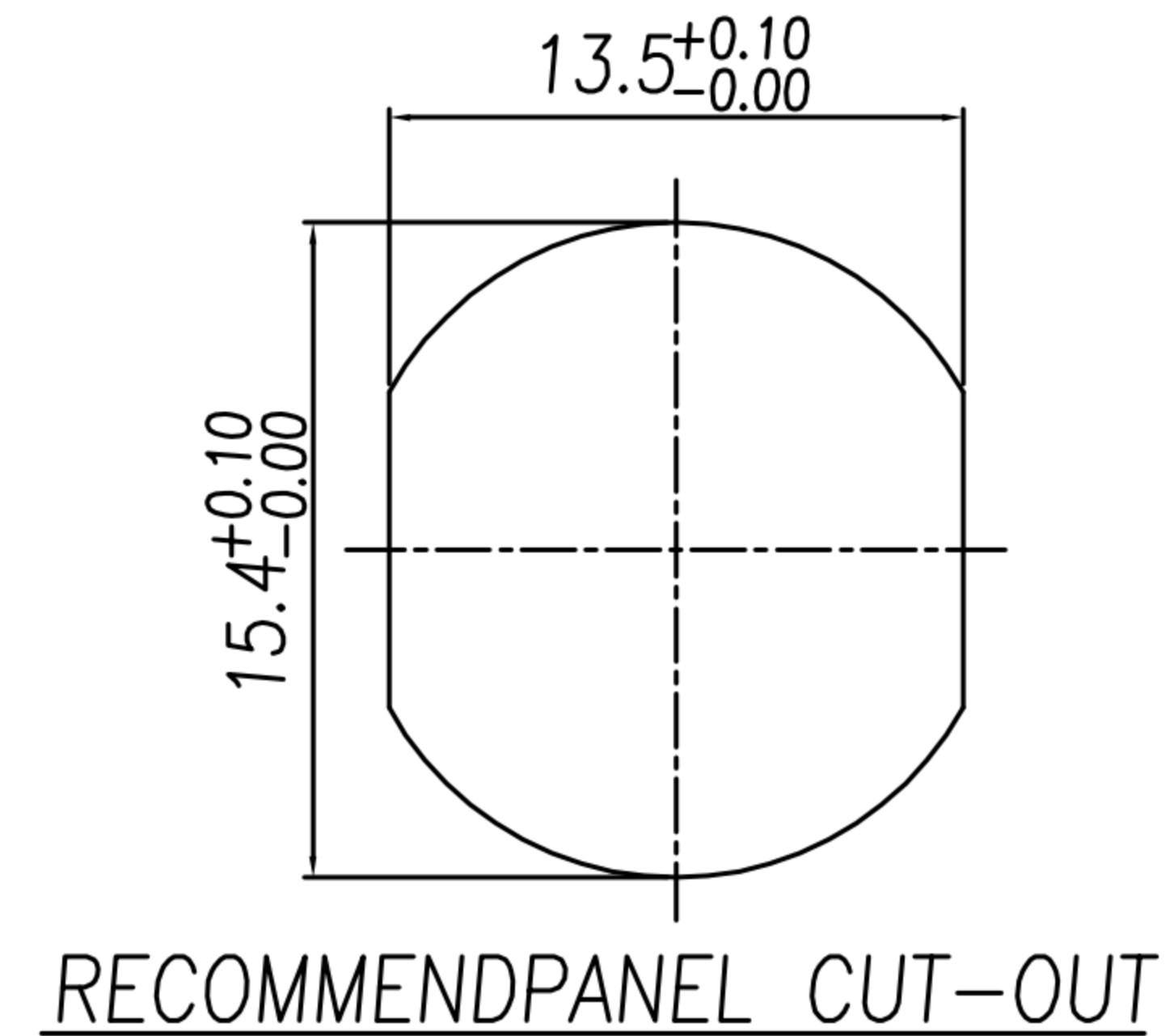
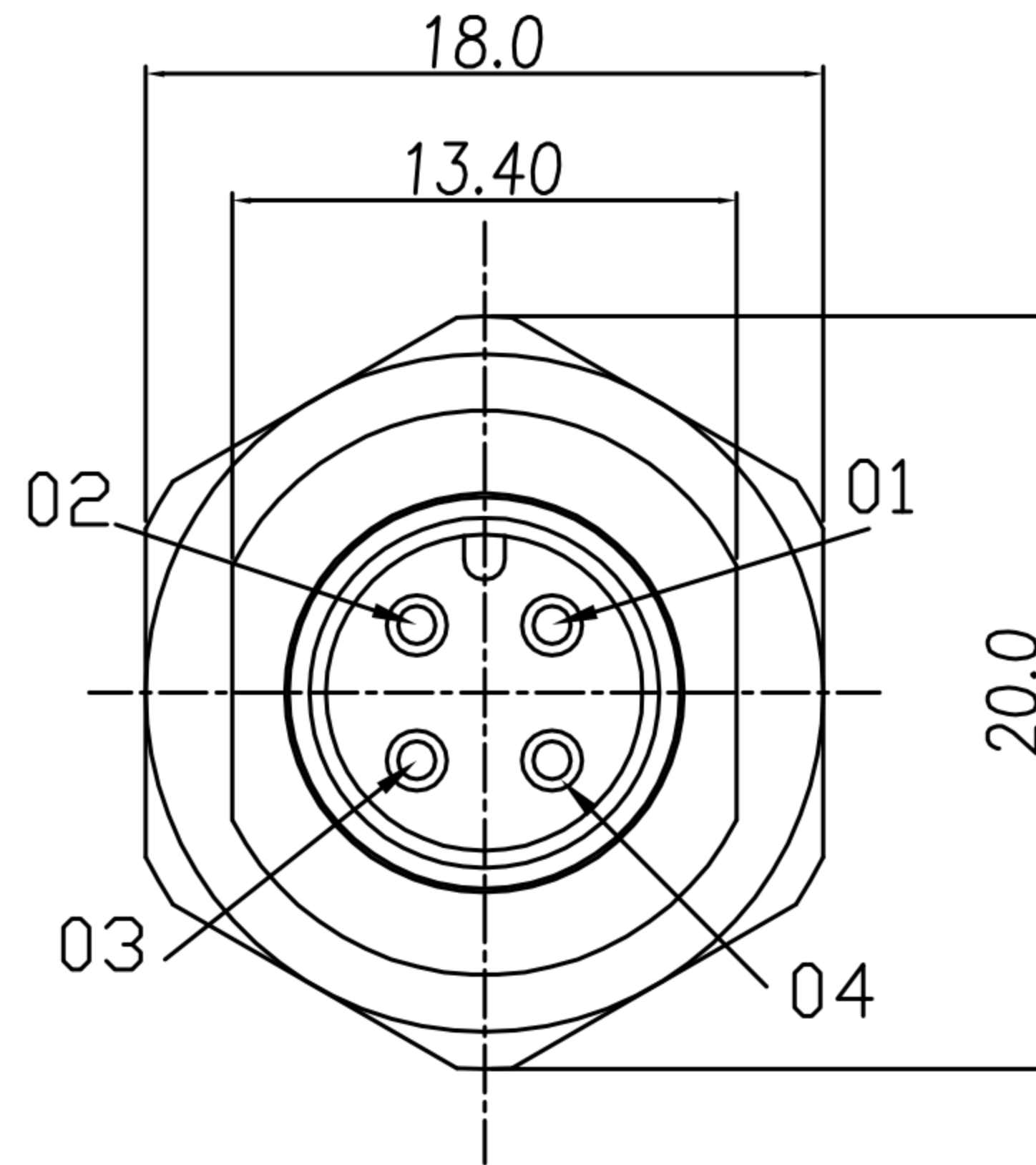
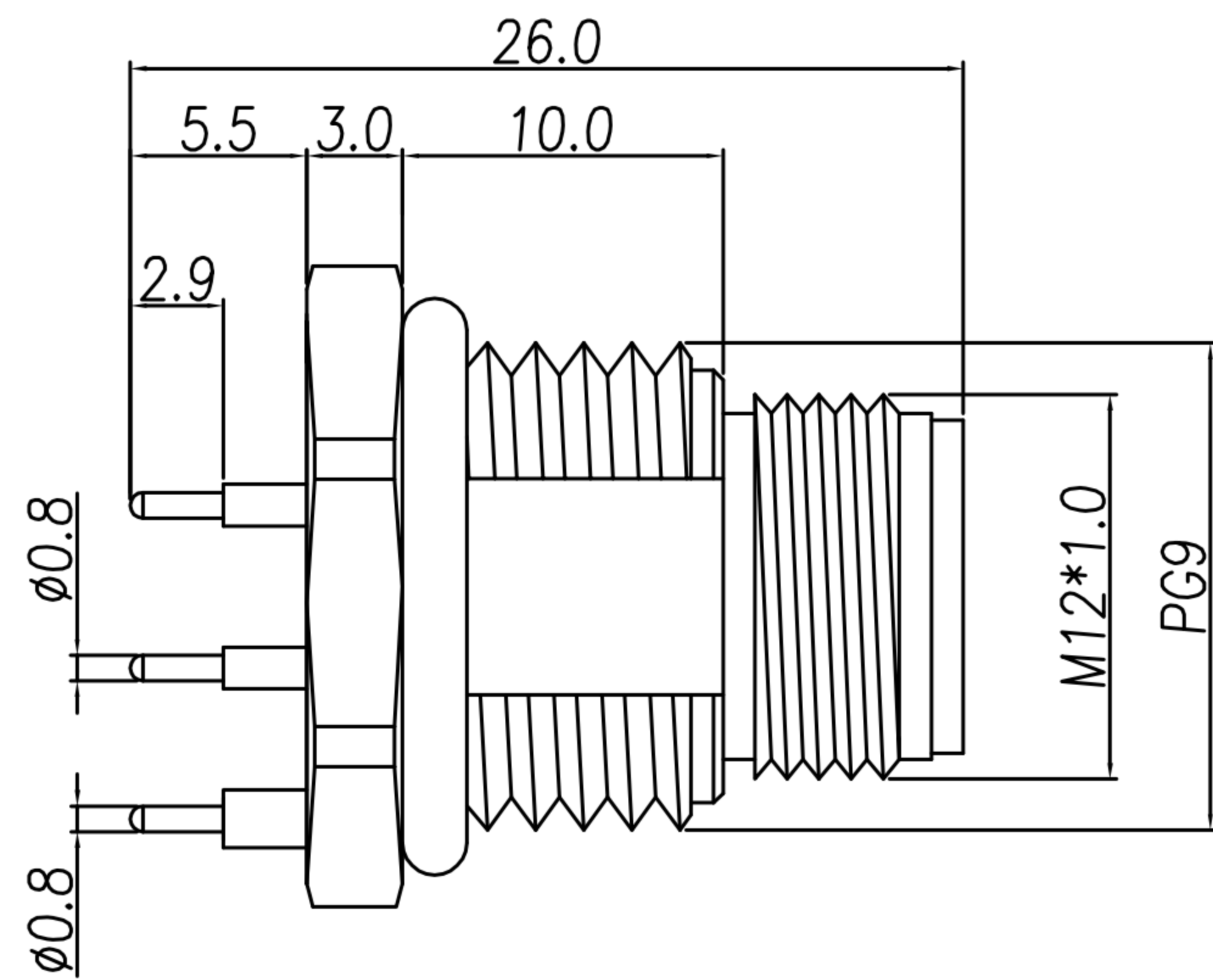


CUSTOMER DRAWING

REV.	DESCRIPTION	APPROVED BY	DATE	ECN NO.
△A	RELEASE	Fido Weng	19/05/23'	
△B				
△C				



- MATERIAL :
 - HOUSING : PBT UL94V-0 ; COLOR : BLACK
 - CONTACT : BRASS
 - NUT : BRASS
 - SHELL : BRASS
 - O-RING : EPDM ; COLOR : BLACK
- FINISH :
 - CONTACT : 10u" GOLD PLATED
 - NUT : NICKEL PLATED
 - SHELL : NICKEL PLATED
- ELECTRICAL SPECIFICATION :
 - Rated current : 4A
 - Rated voltage : 250V
 - Water proof: IP67/IP68
- Environmental :
 - Operation Temperature : -40℃~85℃

DRAWN	Mark Kao	APPEND	Fido Weng	UNIT	mm	TOLERANCE		广东科斯达电子科技有限公司 GUANG DONG KE SI DA ELECTRONIC TECHNOLOGY CO., LTD.	TITLE	防水頭 M12 A-Code 4PIN(M) 前鎖 PG9 插件式(帶接地)			SHEET	1
CHKD	Emily Suen			SCALE	1:1	.x ±0.20 .xx ±0.10 .xxx ±0.05 .xxxx ±0.03 ANGULA ±1°			PART NO.	WP-04M3-18-11	DWG NO.	QC10676	VERSION	A