
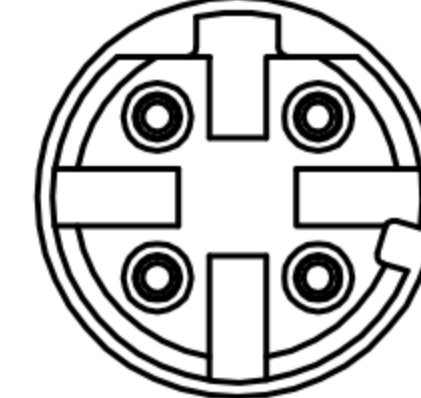



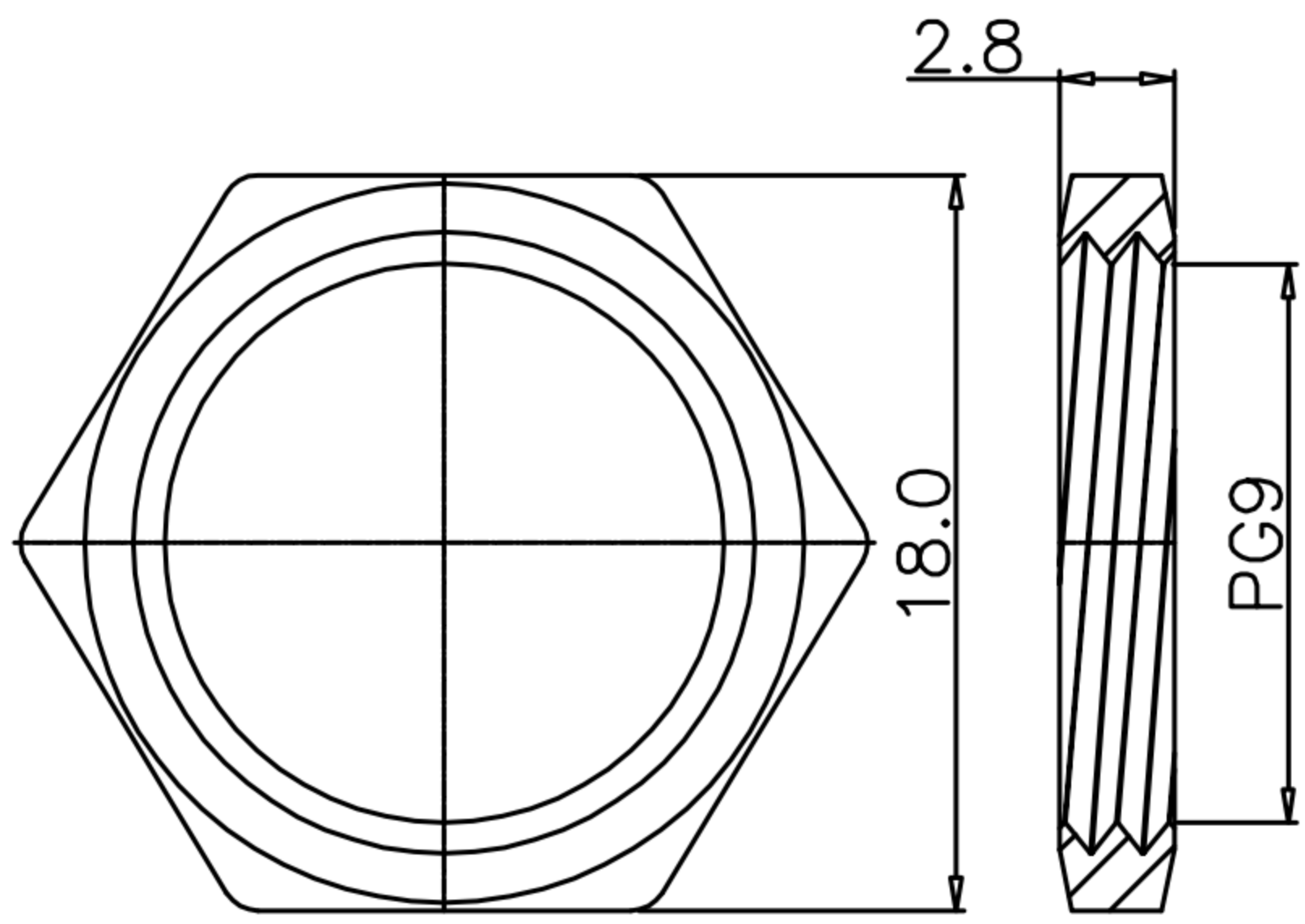
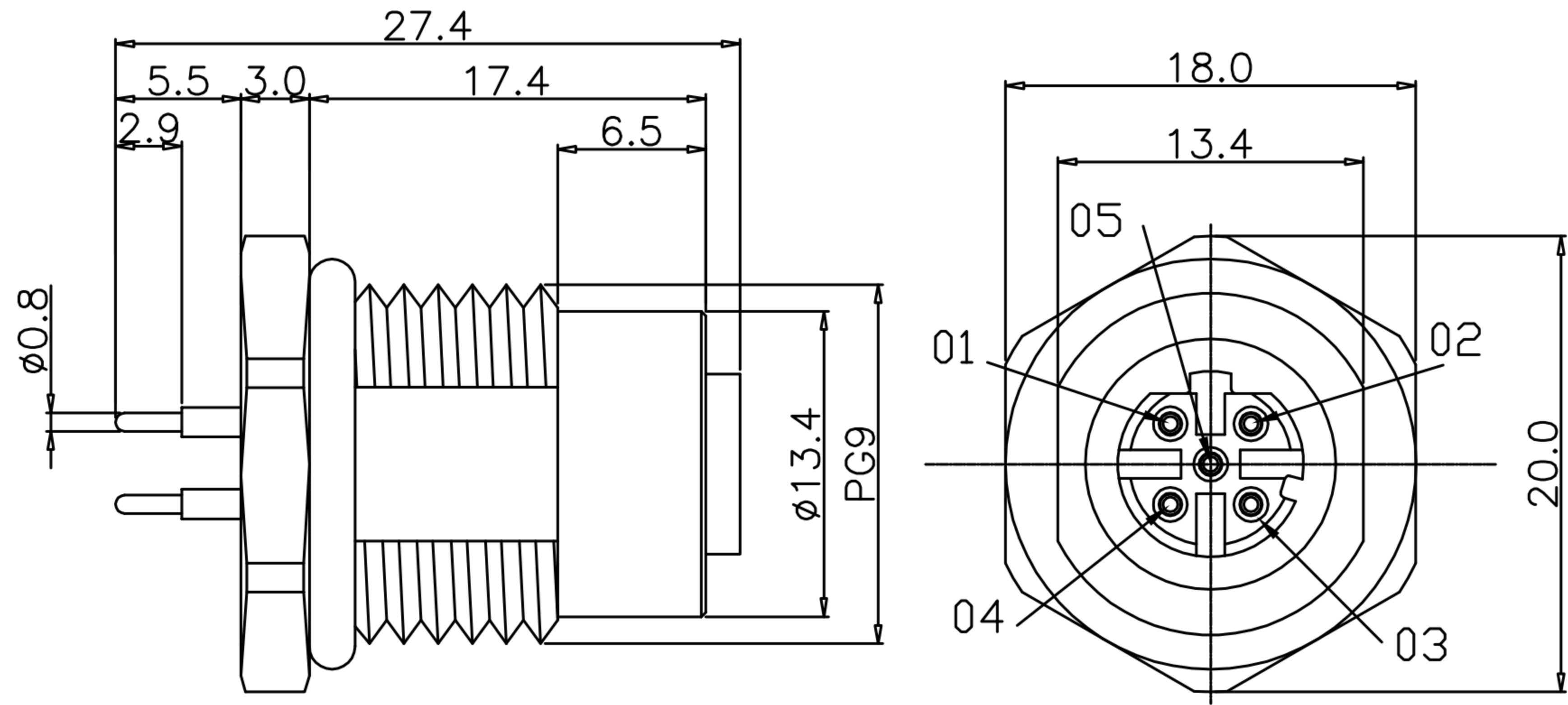
CUSTOMER DRAWING

REV.	DESCRIPTION	APPROVED BY	DATE	ECN NO.
A	RELEASE	Fido Weng	04/03/10'	
B				
C				

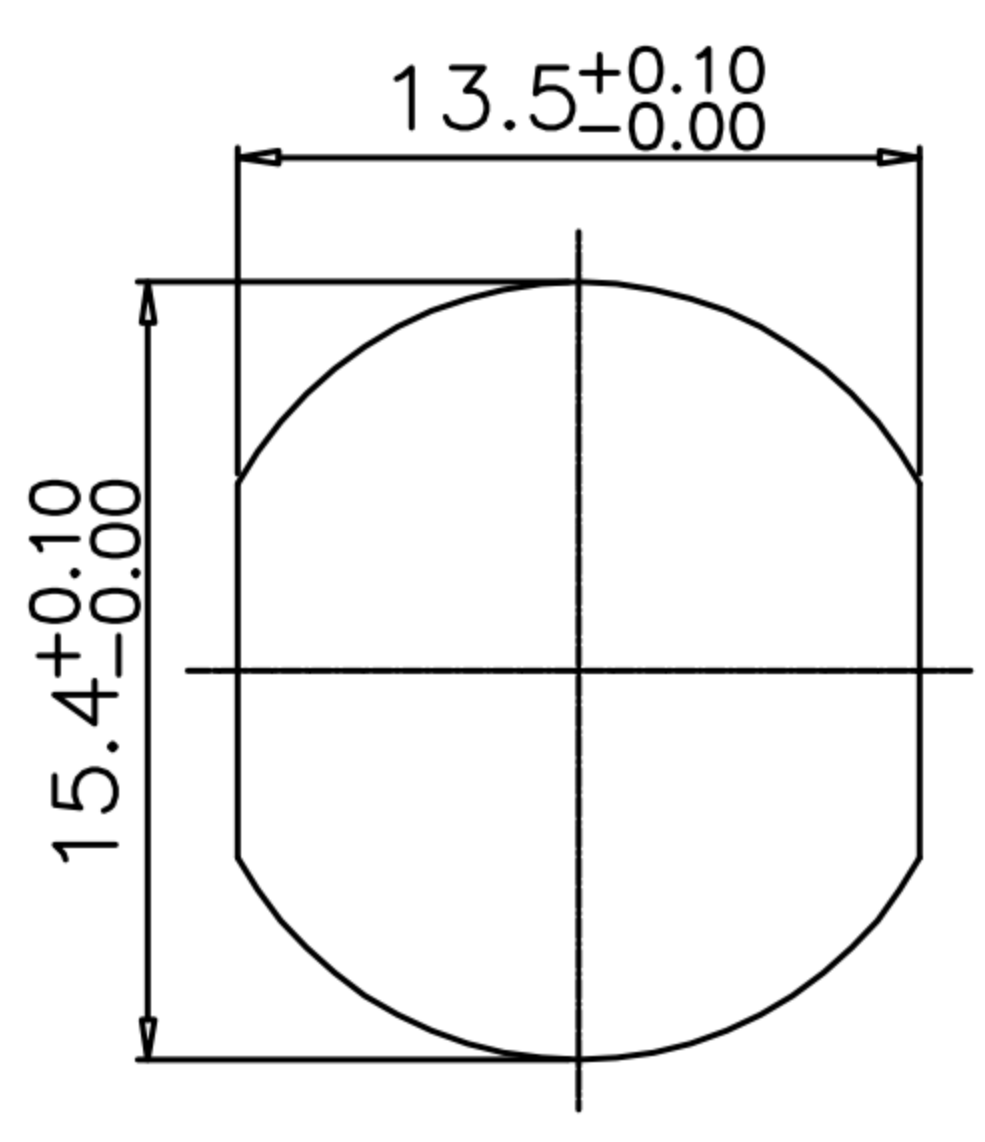
TABLE A

	5PIN	4PIN	3PIN
			
	WP-05F2-63	WP-04F2-79 WP-04F2-161-11 WP-04F3-15-11	WP-03F2-28

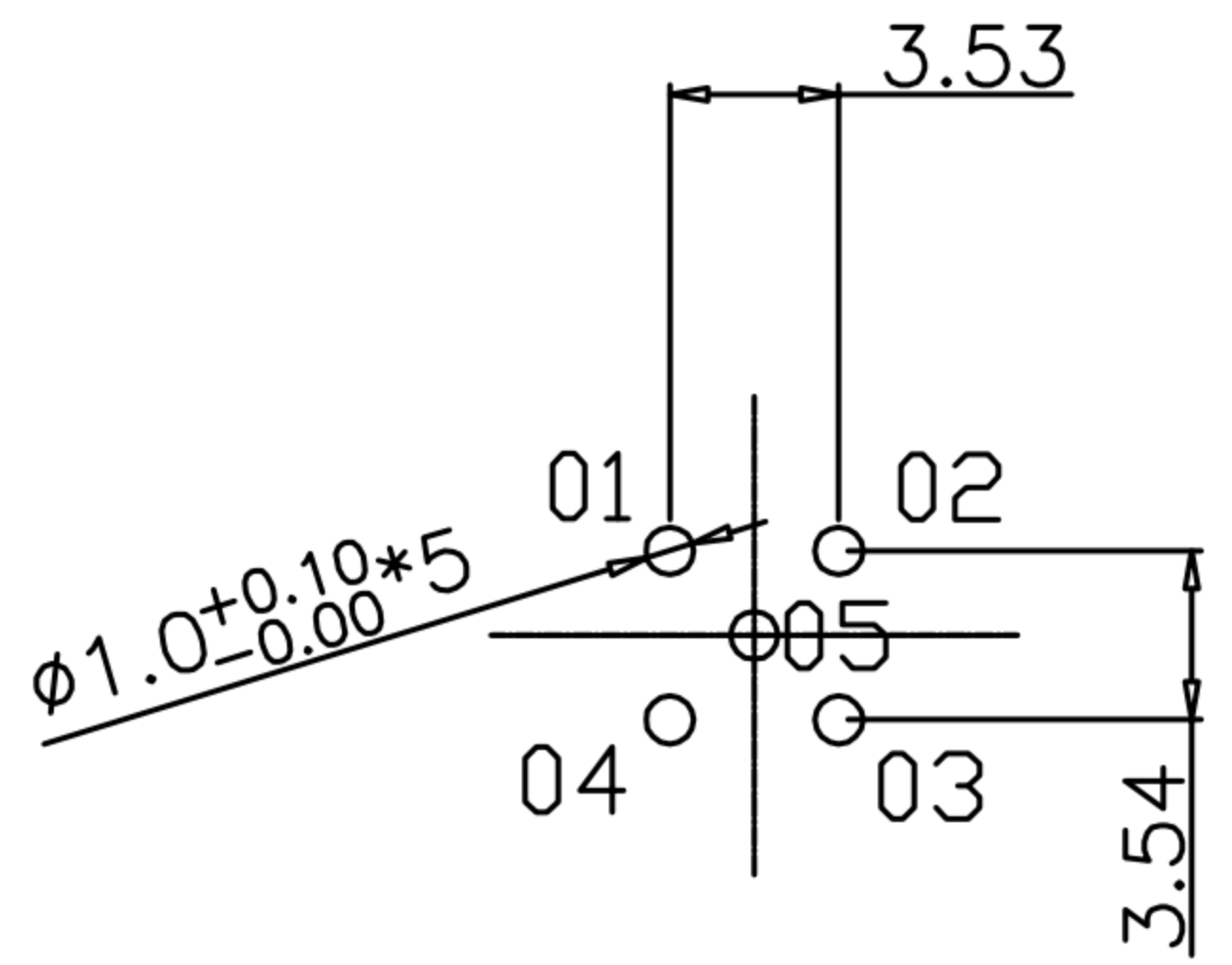
PART NO	MATERIAL(SHELL&NUT)	FINISH(SHELL&NUT)	FINISH(CONTACT)
WP-04F3-15-11	STAINLESS STEEL 316	-	GOLD 10u"
WP-04F2-161-11	BRASS	NICKEL PLATED	GOLD FLASH
WP-05F2-63	BRASS	NICKEL PLATED	GOLD 10u"
WP-04F2-79	BRASS	NICKEL PLATED	GOLD 10u"
WP-03F2-28	BRASS	NICKEL PLATED	GOLD 10u"



NUT



RECOMMEND PANEL CUT-OUT RECOMMEND P.C.B LAYOUT



- MATERIAL :
 - 1-1. HOUSING : PBT UL94V-0 ; COLOR : BLACK
 - 1-2. CONTACT : BRASS
 - 1-3. NUT : SEE TABLE A
 - 1-4. SHELL : SEE TABLE A
 - 1-5. O-RING : EPDM ; COLOR : BLACK
- FINISH :
 - 2-1. CONTACT : SEE TABLE A
UNDER PLATE : NICKEL
 - 2-2. NUT : SEE TABLE A
 - 2-3. SHELL : SEE TABLE A
- ELECTRICAL SPECIFICATION :
 - 3-1. Rated current : 4A
 - 3-2. Rated voltage : 3PIN~4PIN 250V ; 5PIN 60V
 - 3-3. Water proof : IPX7
- Environmental :
 - 4-1. Operation Temperature : -40℃~85℃