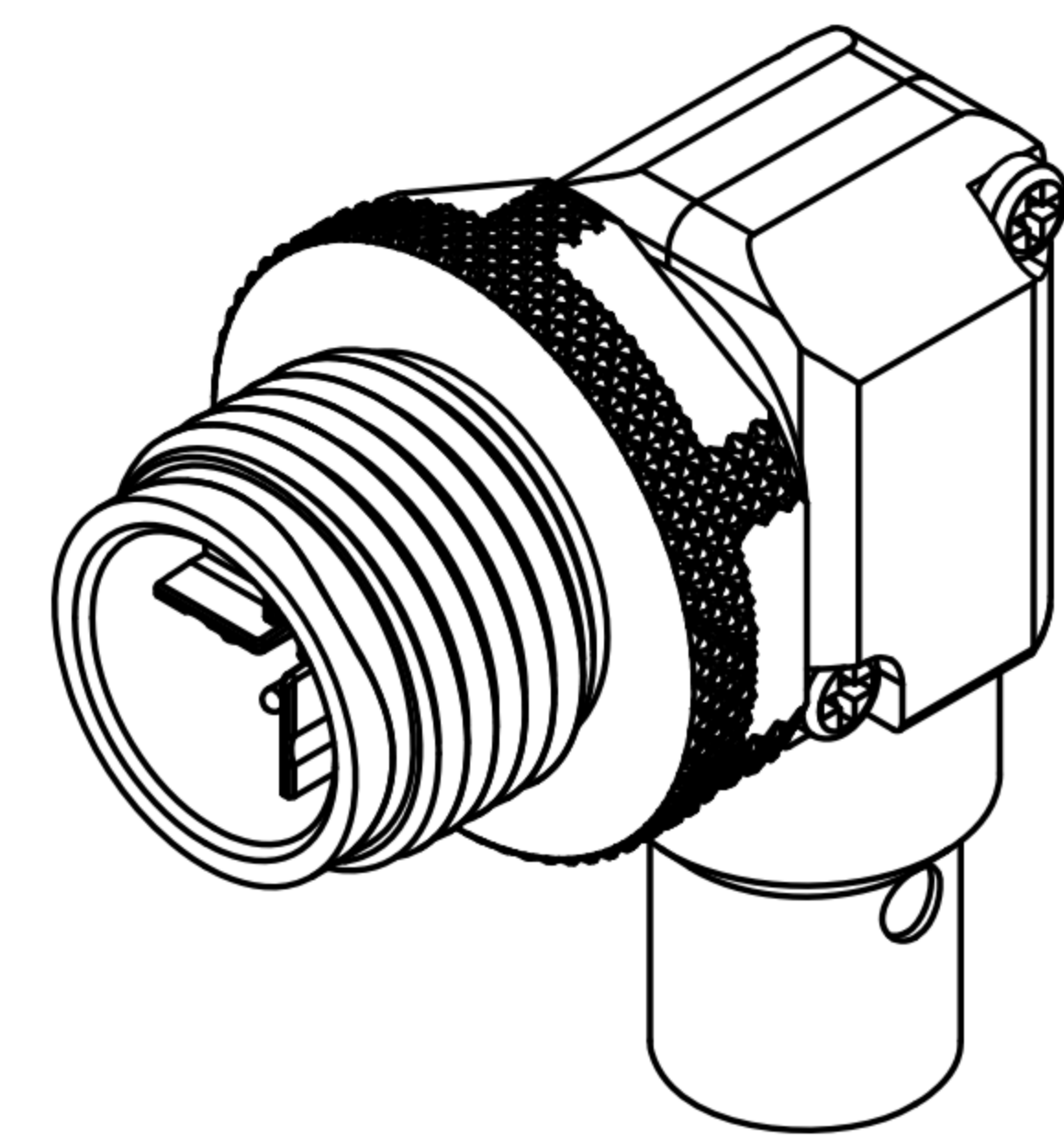
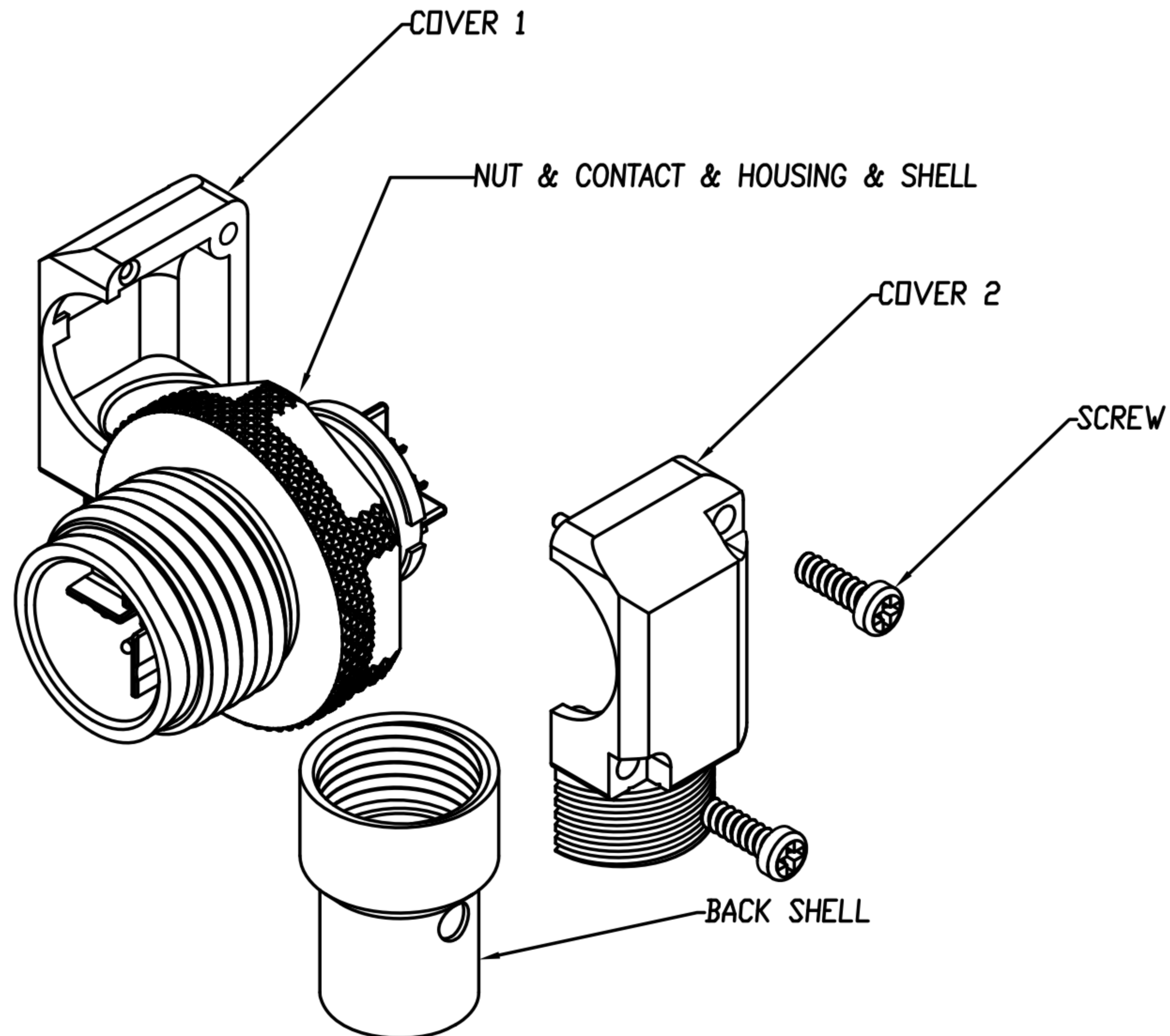


CUSTOMER DRAWING

REV.	DESCRIPTION	APPROVED BY	DATE	ECN NO.
△A	RELEASE	Fido Weng	15/11/17'	
△B				
△C				

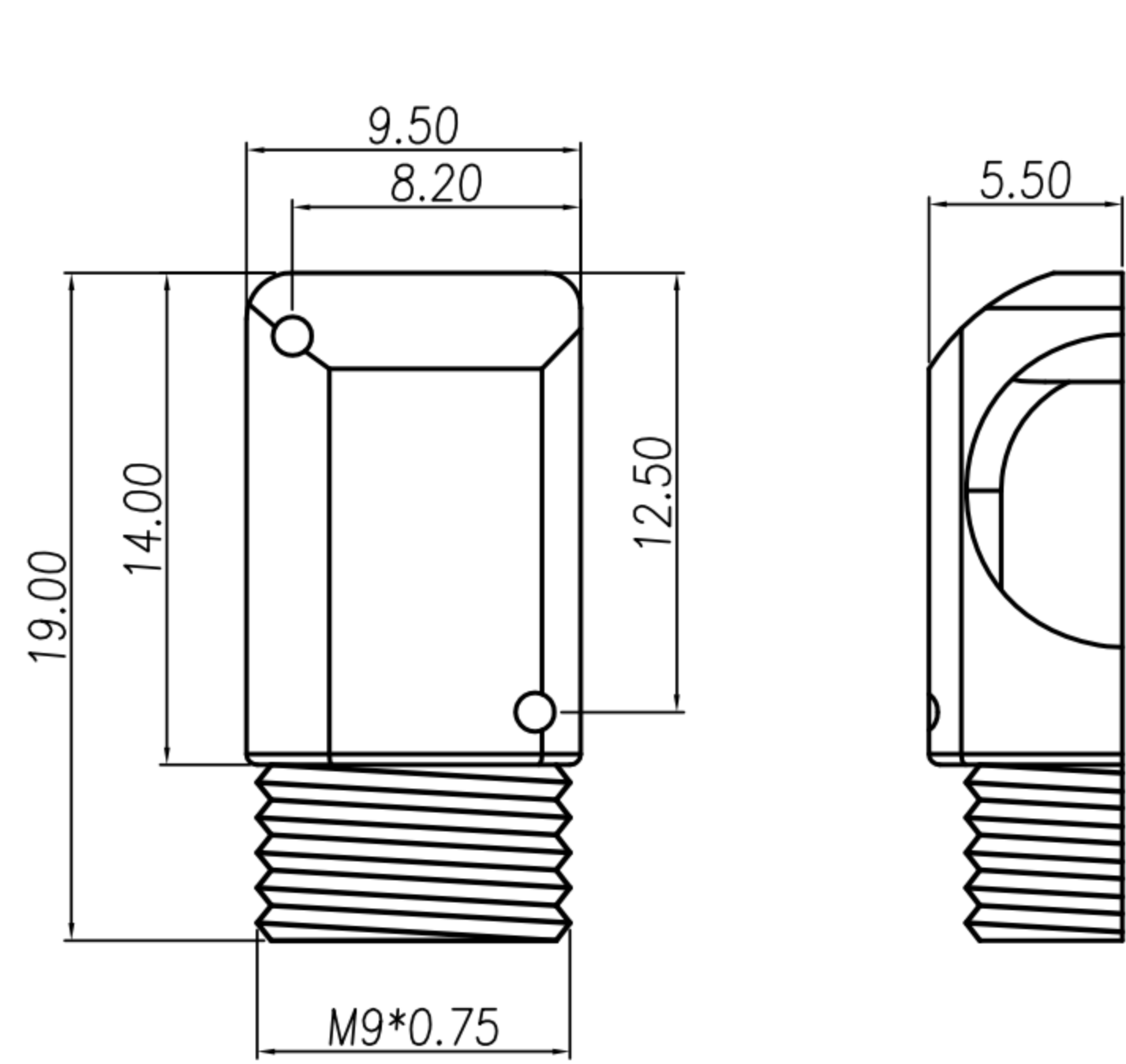


1. MATERIAL :
 - 1-1. HOUSING : PBT UL94V-0 ; COLOR : BLACK
 - 1-2. CONTACT : BRASS
 - 1-3. NUT : BRASS
 - 1-4. SHELL : Zn ALLOY
 - 1-5. COVER 1 : Zn ALLOY
 - 1-6. COVER 2 : Zn ALLOY
 - 1-7. BACK SHELL : BRASS.
 - 1-8. SCREW : LOW CARBON STEEL.
2. FINISH :
 - 2-1. CONTACT : 10 MICRO INCHES MIN. GOLD PLATED
UNDER PLATE : NICKEL
 - 2-2. NUT : NICKEL PLATED
 - 2-3. SHELL : NICKEL PLATED
 - 2-4. COVER 1 : NICKEL PLATED
 - 2-5. COVER 2 : NICKEL PLATED
 - 2-6. BACK SHELL : NICKEL PLATED
 - 2-7. SCREW : NICKEL PLATED
3. ELECTRICAL SPECIFICATION :
 - 3-1. Rated current : 0.5A
 - 3-2. Rated Voltage : 48V
 - 3-3. Water proof: IPX7
4. Environmental :
 - 4-1. Operation Temperature : -40℃~85℃

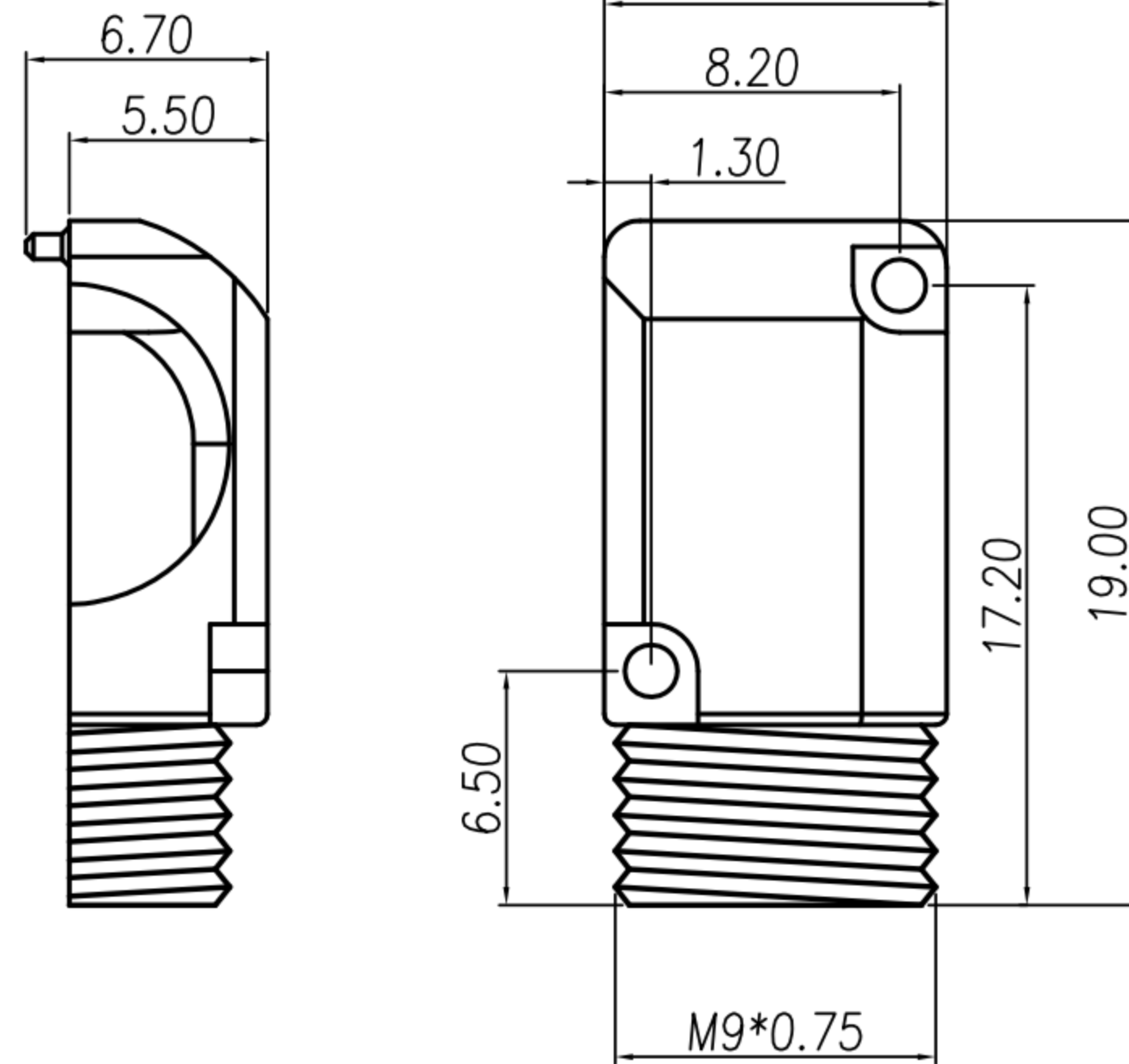
DRAWN	Ku Chou	APPEND	Fido Weng	UNIT	mm	TOLERANCE		广东科斯达电子科技有限公司 GUANG DONG KE SI DA ELECTRONIC TECHNOLOGY CO., LTD.	TITLE	防水頭 M12 8PIN X-Code (M) 線纜短版90°轉接式			SHEET	2
CHKED	Emily Suen			SCALE	1:1	.x ±0.20 .xx ±0.10 .xxx ±0.05 .xxxx ±0.03 ANGULA ±1°			PART NO.	WP-08M2-68-11	DWG NO.	QC8033	VERSION	A

CUSTOMER DRAWING

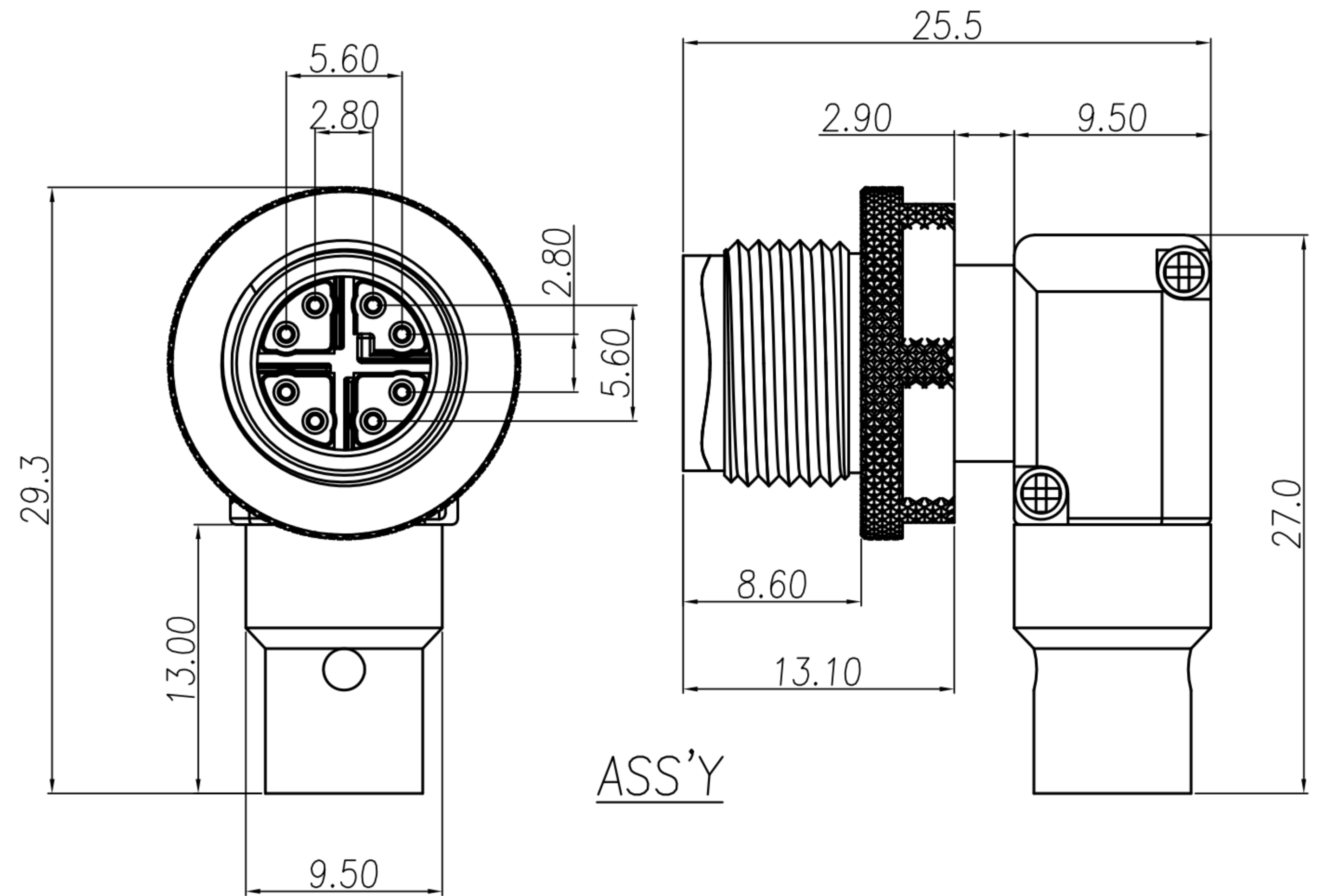
REV.	DESCRIPTION	APPROVED BY	DATE	ECN NO.
A	RELEASE	Fido Weng	15/11/17'	
B				
C				



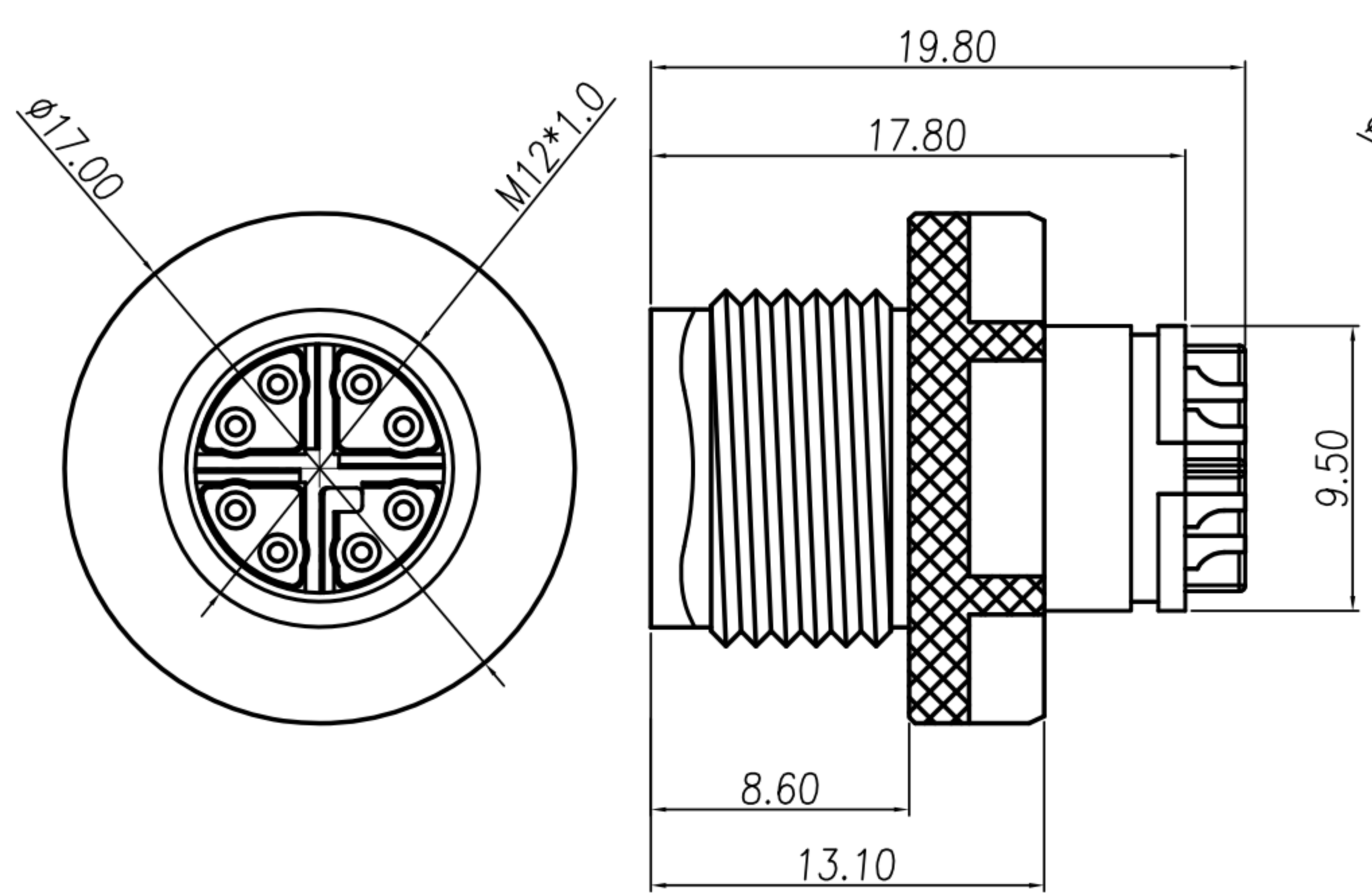
COVER 1



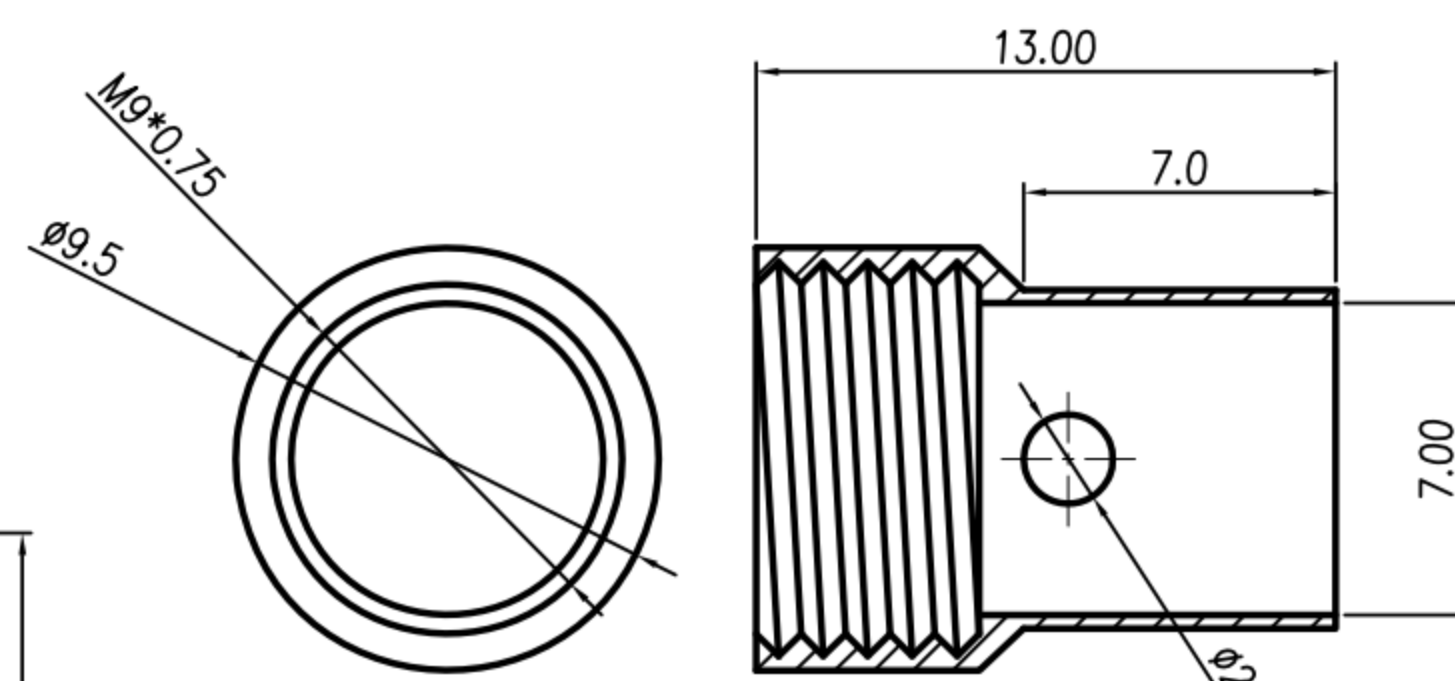
COVER 2



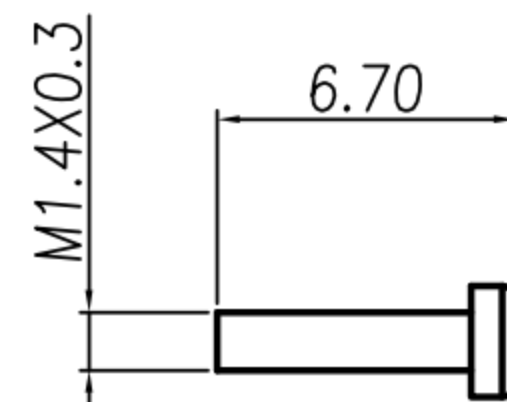
ASS'Y



NUT & CONTACT & HOUSING & SHELL



BACK SHELL



SCREW

- MATERIAL :
 - HOUSING : PBT UL94V-0 ; COLOR : BLACK
 - CONTACT : BRASS
 - NUT : BRASS
 - SHELL : Zn ALLOY
 - COVER 1 : Zn ALLOY
 - COVER 2 : Zn ALLOY
 - BACK SHELL : BRASS.
 - SCREW : LOW CARBON STEEL.
- FINISH :
 - CONTACT : 10 MICRO INCHES MIN. GOLD PLATED
UNDER PLATE : NICKEL
 - NUT : NICKEL PLATED
 - SHELL : NICKEL PLATED
 - COVER 1 : NICKEL PLATED
 - COVER 2 : NICKEL PLATED
 - BACK SHELL : NICKEL PLATED
 - SCREW : NICKEL PLATED
- ELECTRICAL SPECIFICATION :
 - Rated current : 0.5A
 - Rated Voltage : 48V
 - Water proof: IPX7
- Environmental :
 - Operation Temperature : -40℃~85℃

DRAWN	Ku Chou	APPEND	Fido Weng	UNIT	mm	TOLERANCE		广东科斯达电子科技有限公司 GUANG DONG KE SI DA ELECTRONIC TECHNOLOGY CO., LTD.	TITLE	防水 M12 8PIN X-Code (M) 總線短版90°解鎖式			SHEET	1/2
CHKD	Emily Suen			SCALE	1:1	.x ±0.20 .xx ±0.10 .xxx ±0.05 .xxxx ±0.03 ANGULA ±1°			PART NO.	WP-08M2-68-11	DWG NO.	QC8033	VERSION	A