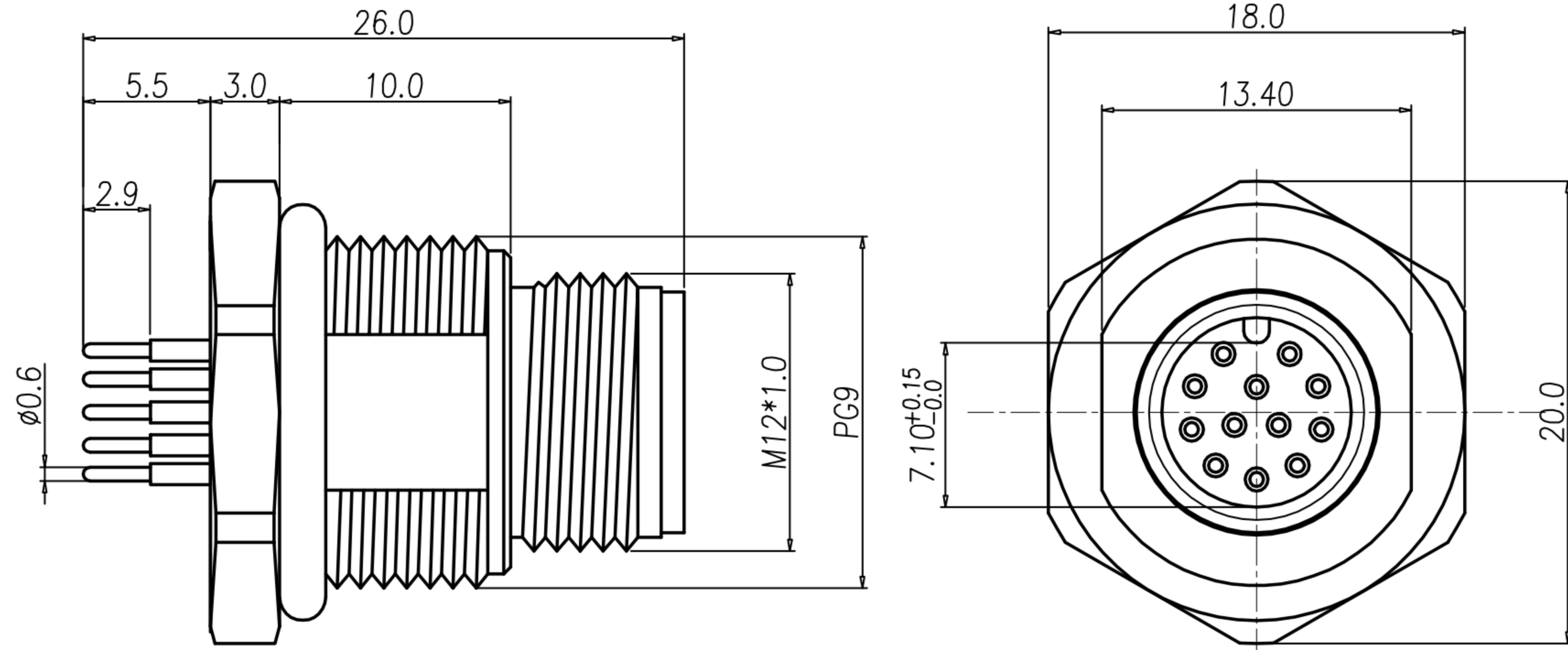


CUSTOMER DRAWING

REV.	DESCRIPTION	APPROVED BY	DATE	ECN NO.
A	RELEASE	Fido Weng	21/11/17'	
B	新增料號	Fido Weng	06/12/17'	
C				



- MATERIAL :
 - HOUSING : PBT UL94V-0 ; COLOR : BLACK
 - CONTACT : BRASS
 - NUT : BRASS
 - SHELL : BRASS
 - O-RING : EPDM
- FINISH :
 - CONTACT : GOLD PLATED.
UNDER PLATE : NICKEL
 - NUT : NICKEL PLATED
 - SHELL : NICKEL PLATED
- ELECTRICAL SPECIFICATION :
 - Rated current : 1.5A
 - Rated Voltage : 30V
 - Water proof: IPX7
- Environmental :
 - Operation Temperature : -40℃~85℃

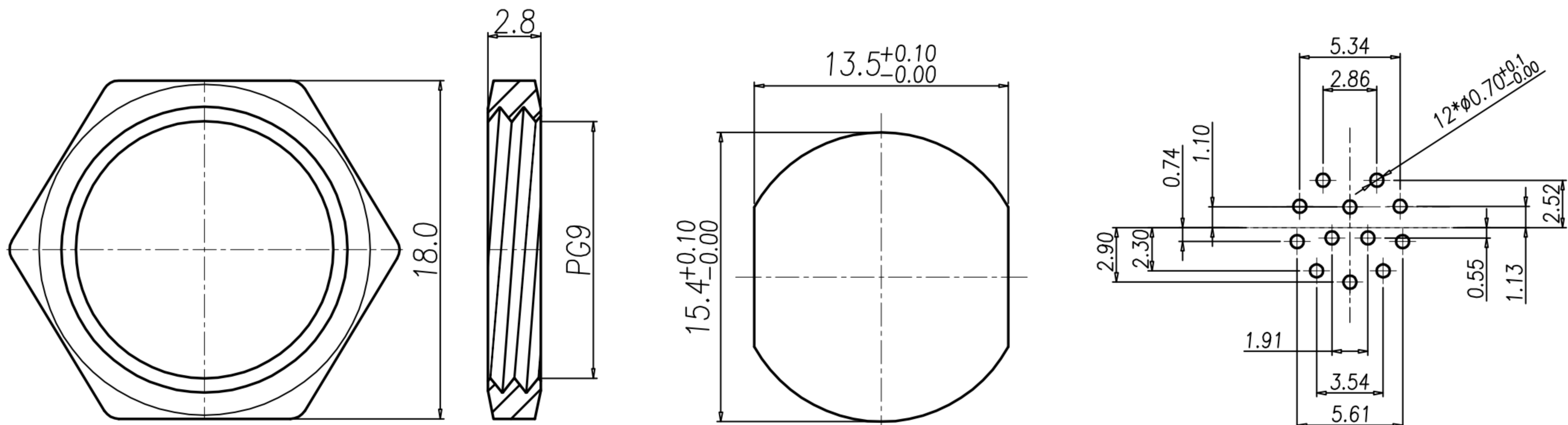


TABLE A	
WP-12M3-01-11	WP-12M2-14-11

NUT

RECOMMEND PANEL CUT-OUT RECOMMEND P.C.B LAYOUT

DRAWN	Ku Chou	APPEND	Fido Weng	UNIT	mm	TOLERANCE			TITLE	防水 M12 12PIN A-Code (M) 鍍金 Pg9 插片式			SHEET	1
CHKED	Emily Suen			SCALE	1:1					PART NO.	SEE TABLE A	DWG NO.	QC7788	VERSION

广东科斯达电子科技有限公司
GUANG DONG KE SI DA ELECTRONIC TECHNOLOGY CO., LTD.