

CUSTOMER DRAWING

REV.	DESCRIPTION	APPROVED BY	DATE	ECN NO.
A	RELEASE	Fido Weng	10/07/13'	
B				
C				

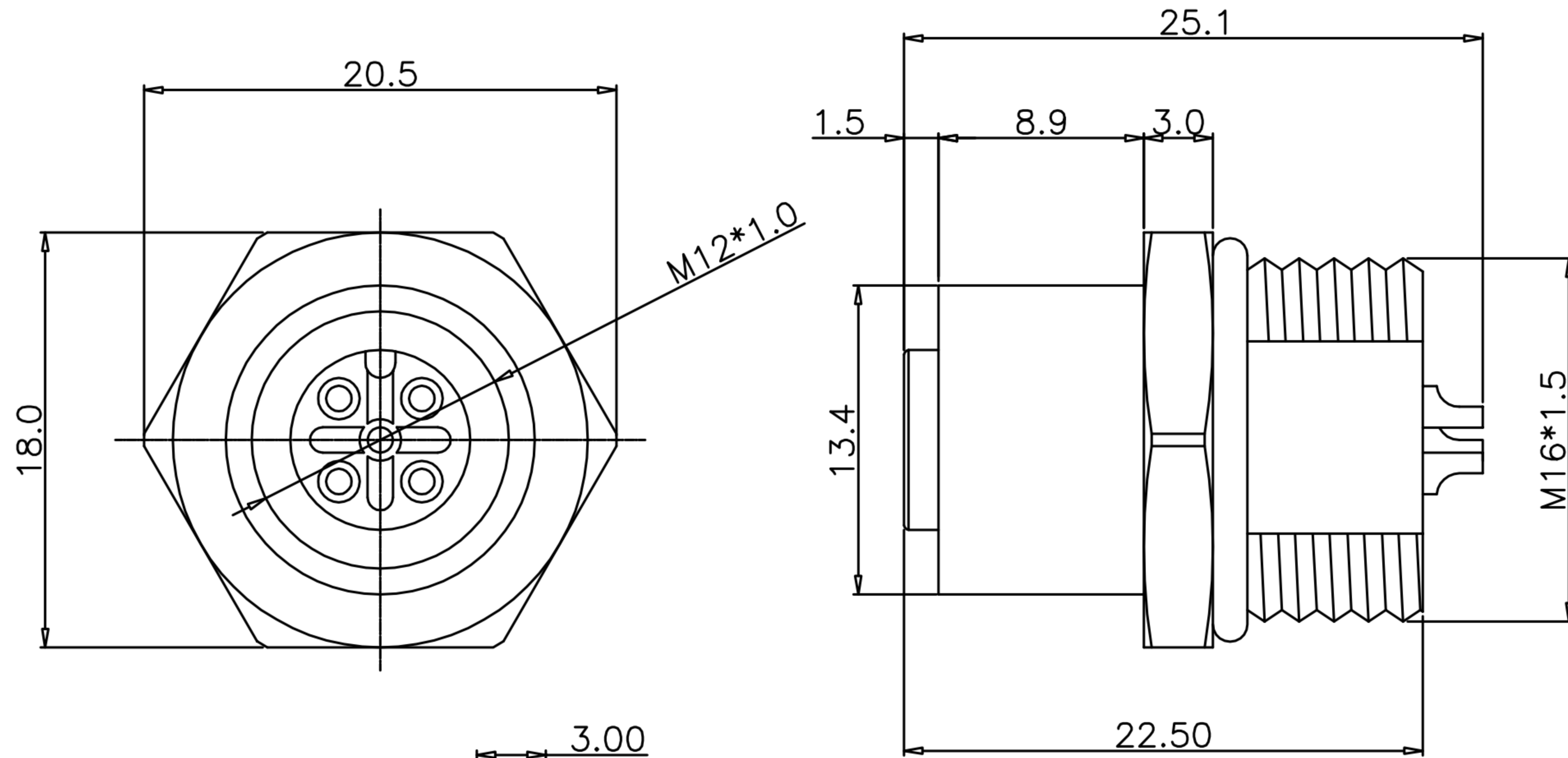
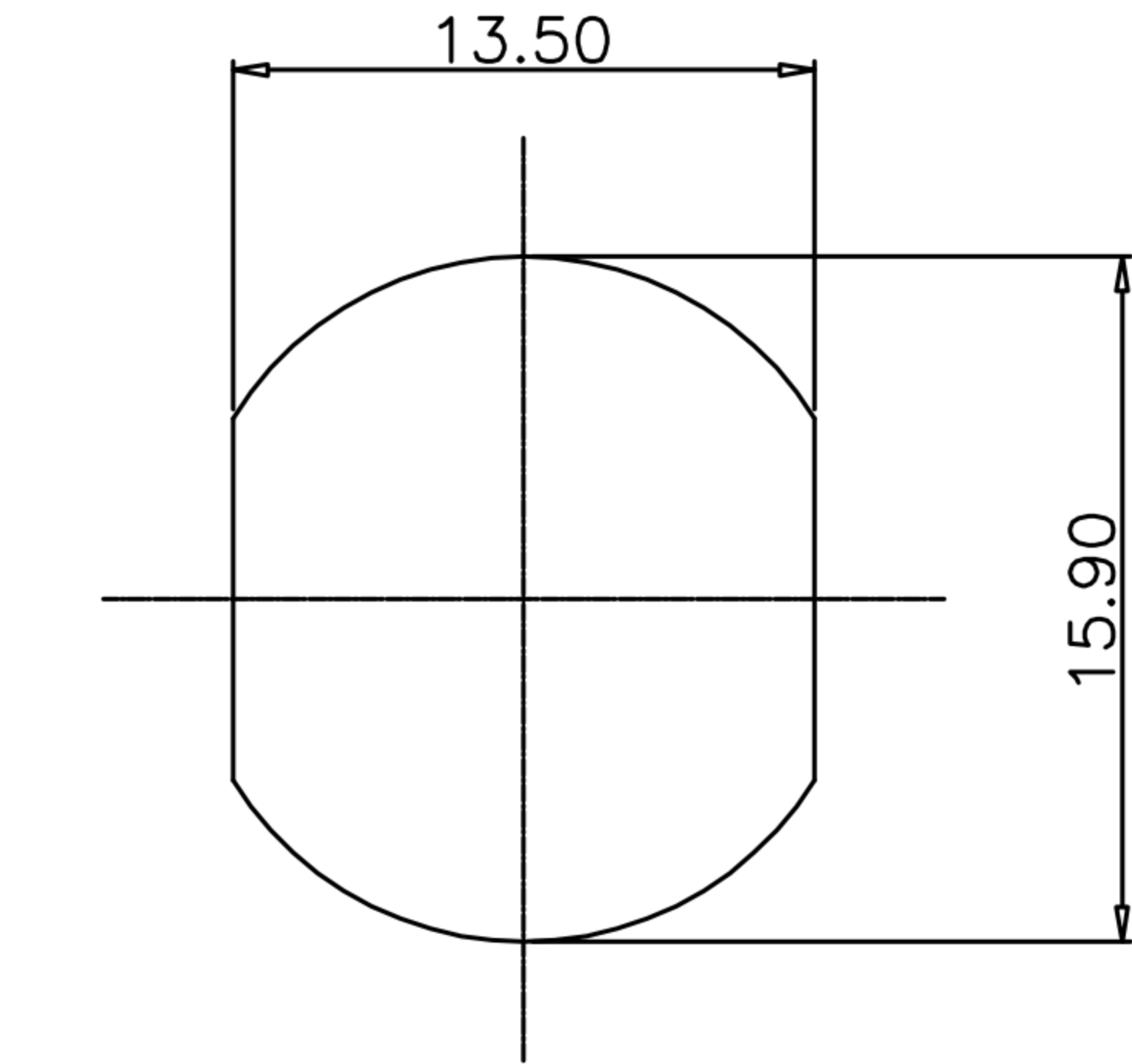
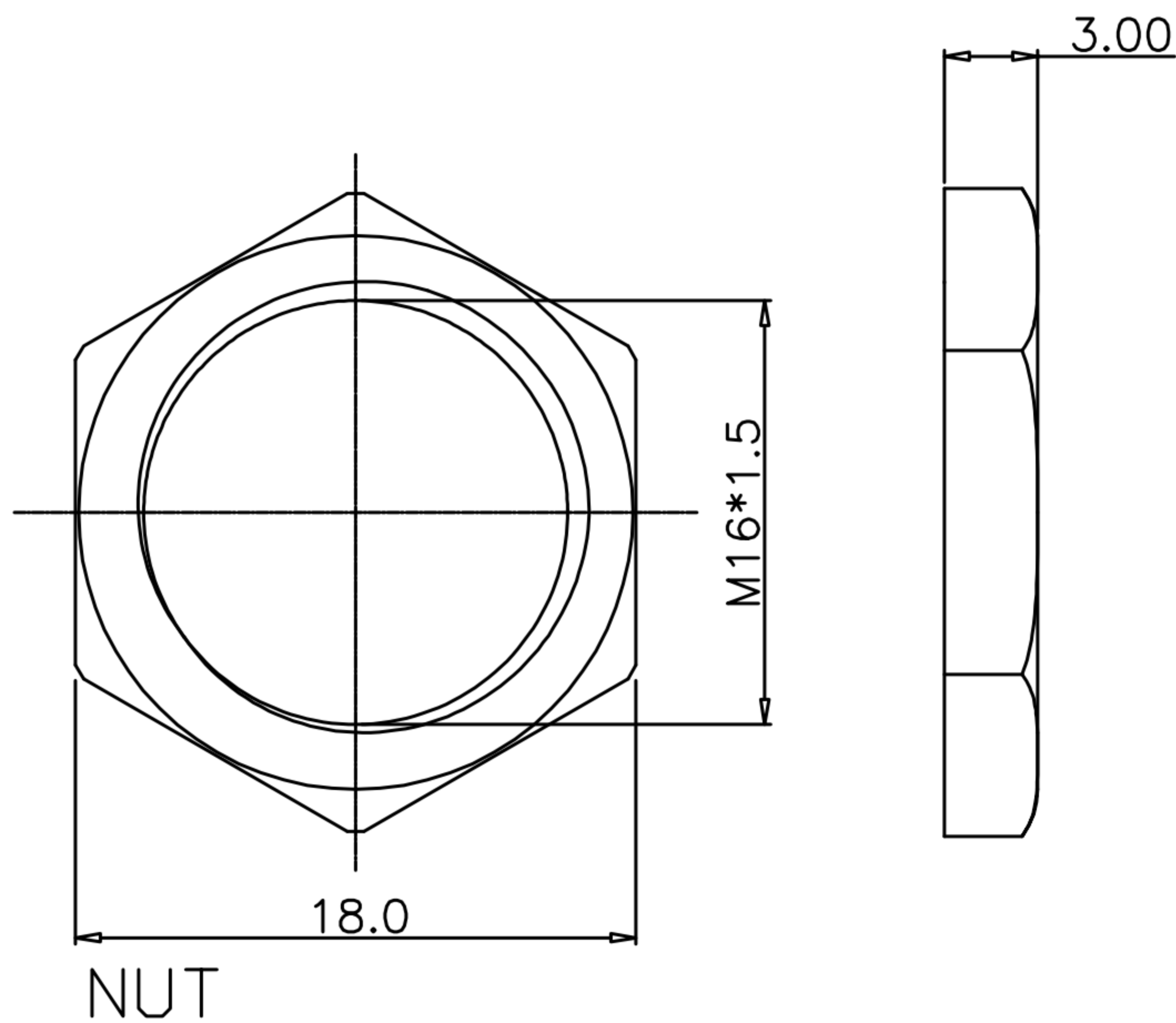


TABLE A

4PIN	5PIN
WP-04F2-134-11	WP-05F2-81-11
2PIN	3PIN
WP-02F2-88-11	WP-03F2-153-11



RECOMMEND PANEL CUT-OUT

- MATERIAL :
 - HOUSING : PBT UL94V-0 ; COLOR : BLACK
 - CONTACT : BRASS
 - NUT : BRASS
 - SHELL : BRASS
 - O-RING : EPDM
- FINISH :
 - CONTACT : 10 MICRO INCHES MIN. GOLD PLATED
UNDER PLATE : NICKEL
 - NUT : NICKEL PLATED
 - SHELL : NICKEL PLATED
- ELECTRICAL SPECIFICATION :
 - Rated current : 4A
 - Rated Voltage : 2~4PIN 250V ; 5PIN 60V
 - Water proof : IPX7
- Environmental :
 - Operation Temperature : -20℃~85℃

DRAWN	Ku Chou	APPEND	Emily Suen	UNIT	mm	TOLERANCE		广东科斯达电子科技有限公司 GUANG DONG KE SI DA ELECTRONIC TECHNOLOGY CO., LTD.	TITLE	防水頭 M12 A-Code (F) 後鎖 M16 螺絲式			SHEET	1
CHOKED	Emily Suen			SCALE	1:1	.x ±0.20 .xx ±0.10 .xxx ±0.05 .xxxx ±0.03 ANGULA ±1°			PART NO.	SEE TABLE A	DWG NO.	QC6262	VERSION	A