

# CUSTOMER DRAWING

| REV. | DESCRIPTION | APPROVED BY | DATE      | ECN NO. |
|------|-------------|-------------|-----------|---------|
| A    | RELEASE     | Fido Weng   | 22/10/14' |         |
| B    | ADD P/N     | KU CHOU     | 22/01/21' |         |
| C    |             |             |           |         |

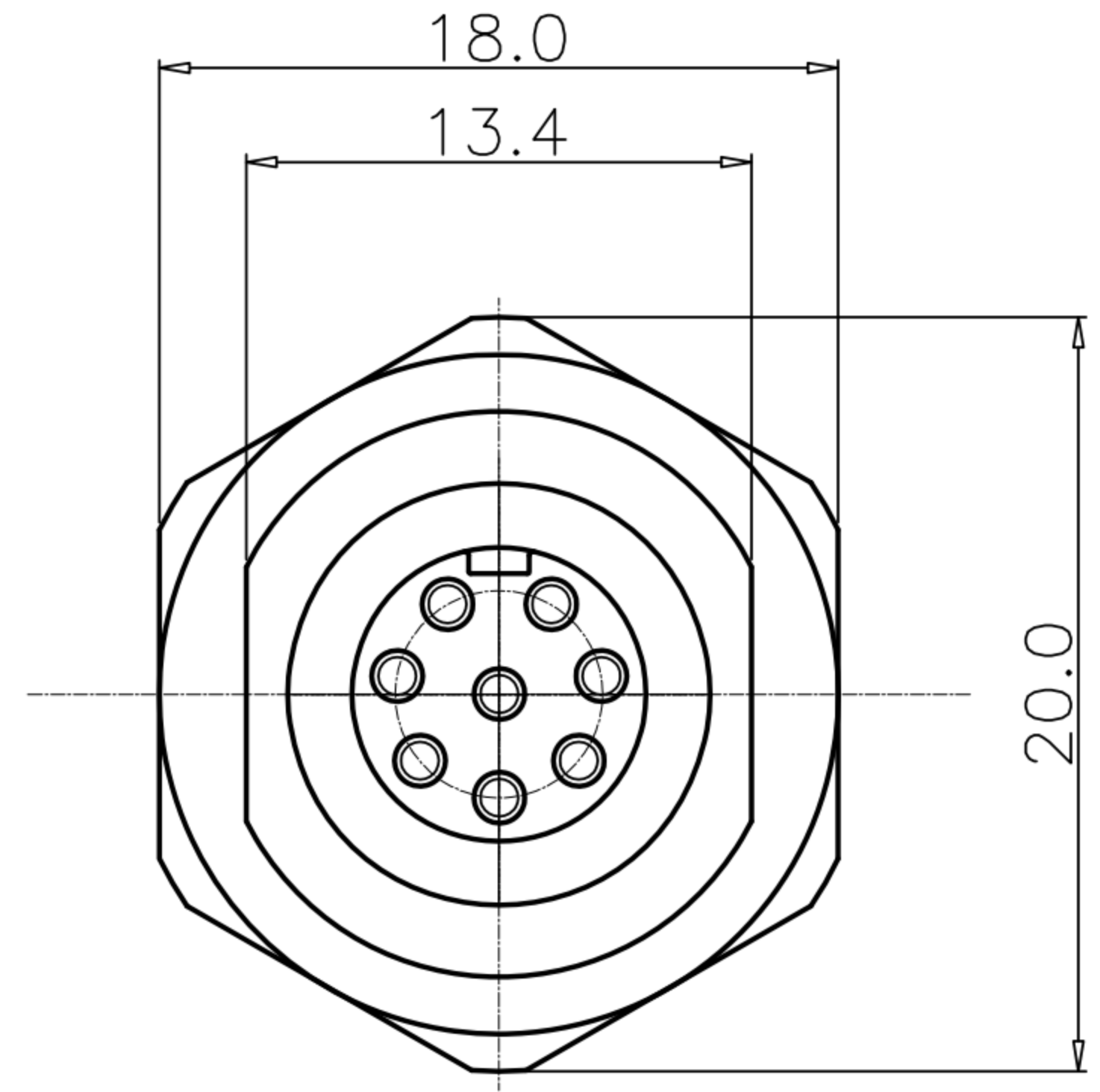
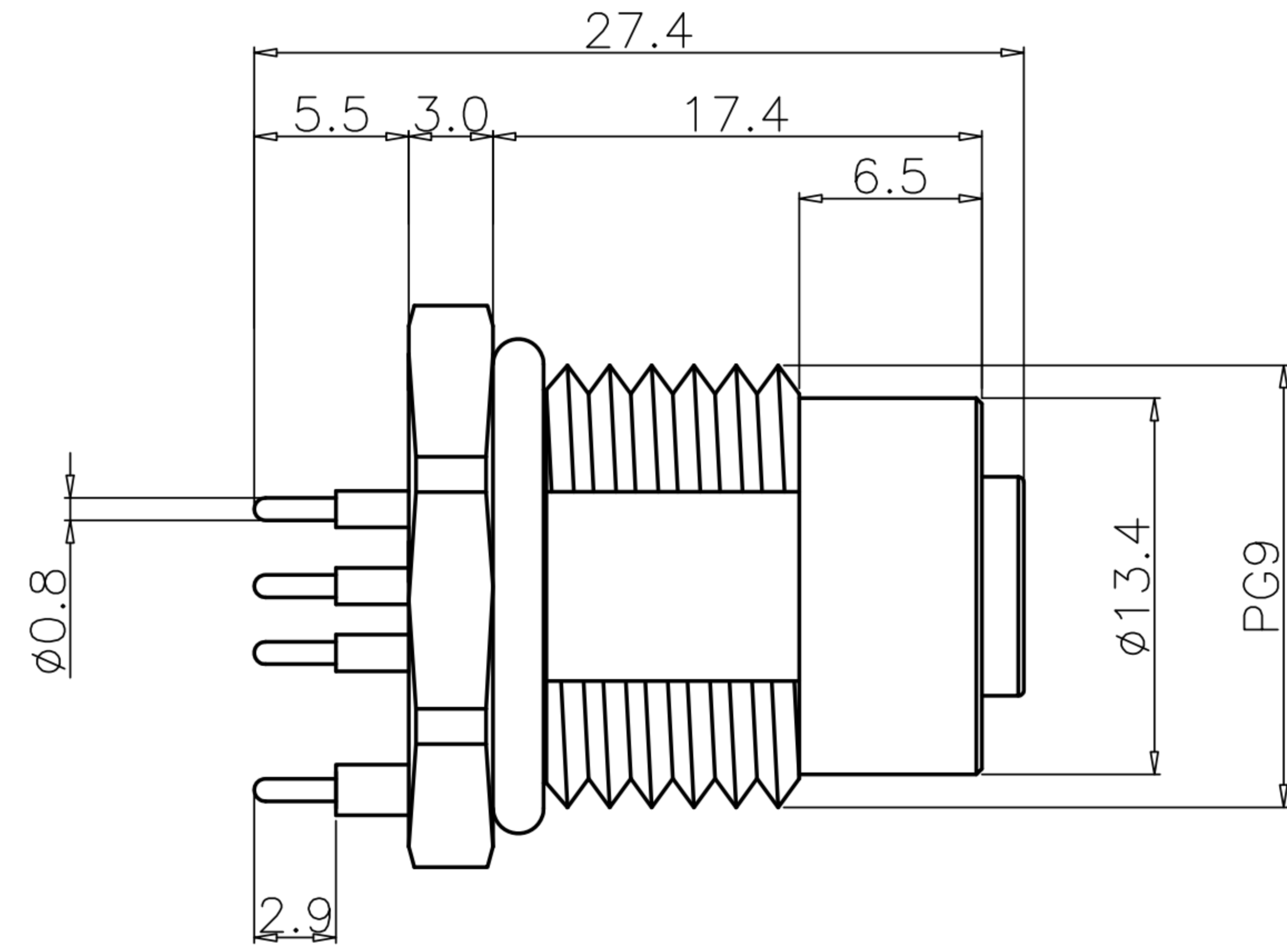
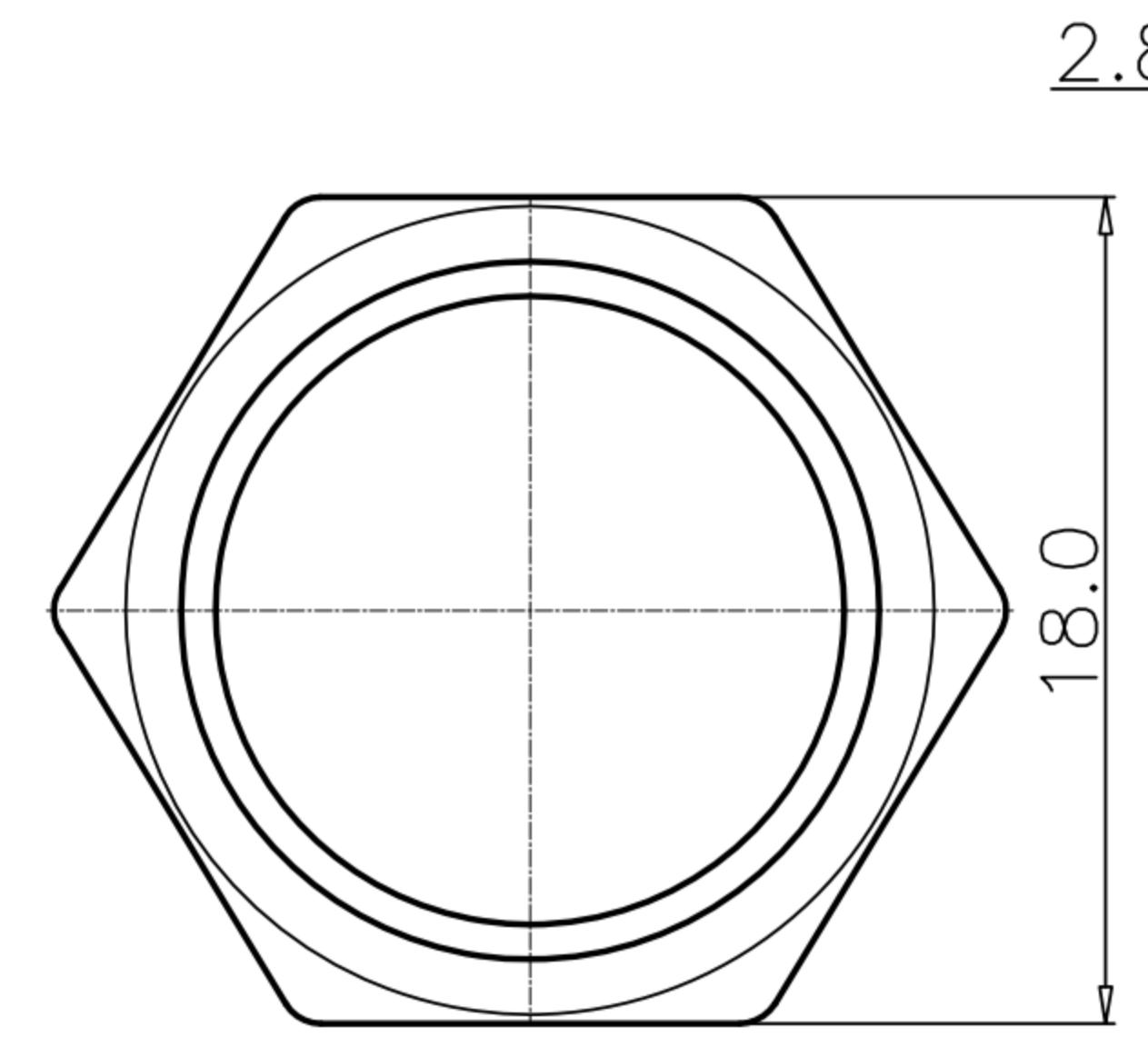


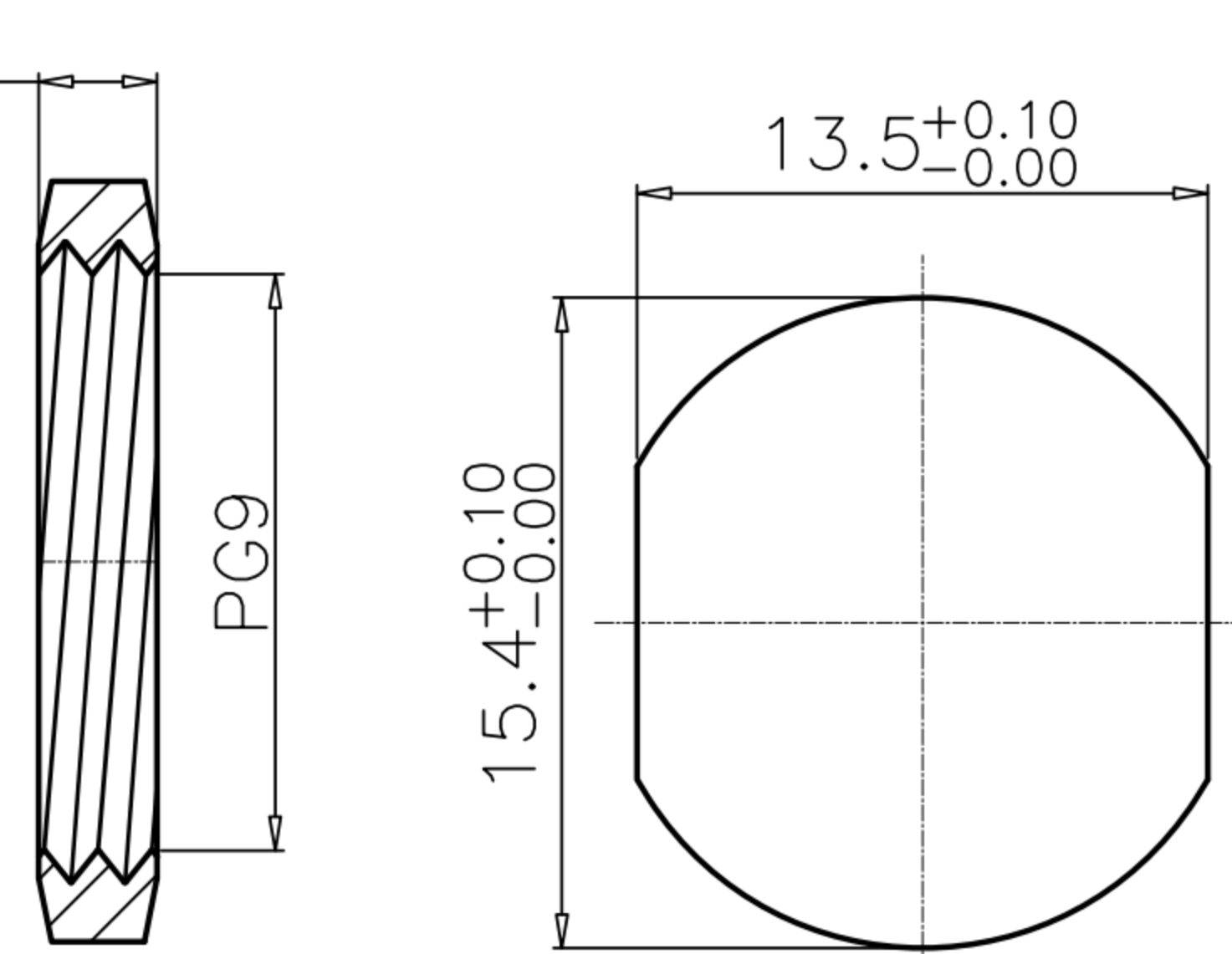
TABLE A

|               |               |
|---------------|---------------|
|               |               |
| WP-06F3-06-11 | WP-06F3-07-11 |
|               |               |
| WP-08F2-57-11 | WP-07F3-02-11 |

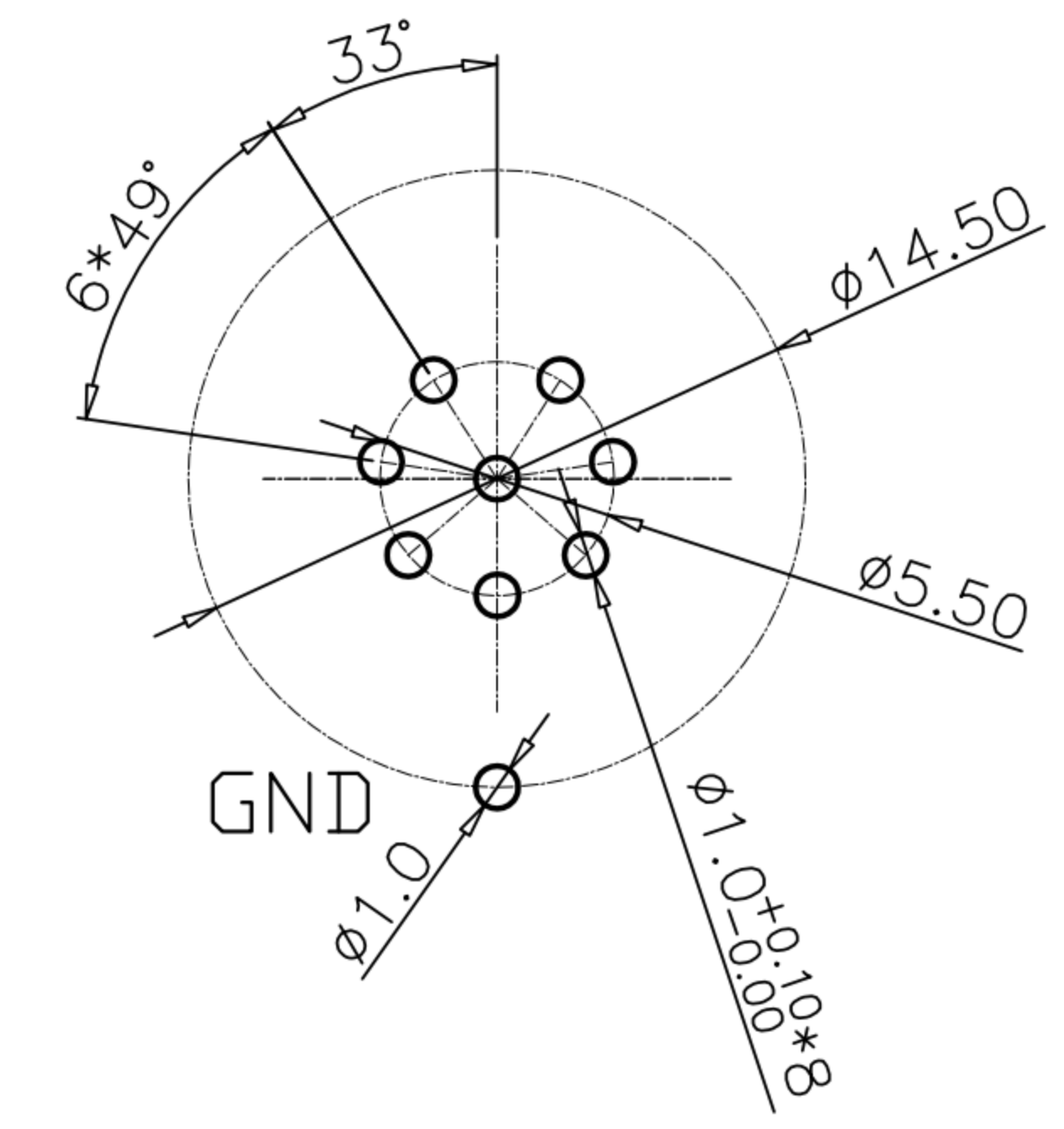
Pin Assignments  
Front View



NUT



RECOMMEND PANEL CUT-OUT



RECOMMEND P.C.B LAYOUT

- MATERIAL :
  - 1-1. HOUSING : PBT UL94V-0 ; COLOR : BLACK
  - 1-2. CONTACT : BRASS
  - 1-3. NUT : BRASS
  - 1-4. SHELL : BRASS
  - 1-5. O-RING : EPDM
- FINISH :
  - 2-1. CONTACT : 10 MICRO INCHES MIN. GOLD PLATED
  - UNDER PLATE : NICKEL
  - 2-2. NUT : NICKEL PLATED
  - 2-3. SHELL : NICKEL PLATED
- ELECTRICAL SPECIFICATION :
  - 3-1. Rated current : 2A
  - 3-2. Rated Voltage : 30V
  - 3-3. Water proof : IP67
- Environmental :
  - 4-1. Operation Temperature : -40°C~85°C

|       |            |       |         |       |     |                                                                  |  |  |          |                          |         |        |         |  |
|-------|------------|-------|---------|-------|-----|------------------------------------------------------------------|--|--|----------|--------------------------|---------|--------|---------|--|
| DRAWN | EMILY SUEN | APP'D | KU CHOU | UNIT  | mm  | TOLERANCE                                                        |  |  | TITLE    | 防水 M12 (F) 插頭 Pg9 插片式+接地 |         |        | SHEET   |  |
| CHK'D | KU CHOU    |       |         | SCALE | 1:1 | .x ±0.20<br>.xx ±0.10<br>.xxx ±0.05<br>.xxxx ±0.03<br>ANGULA ±1° |  |  | PART NO. | SEE TABLE A              | DWG NO. | QC7099 | VERSION |  |