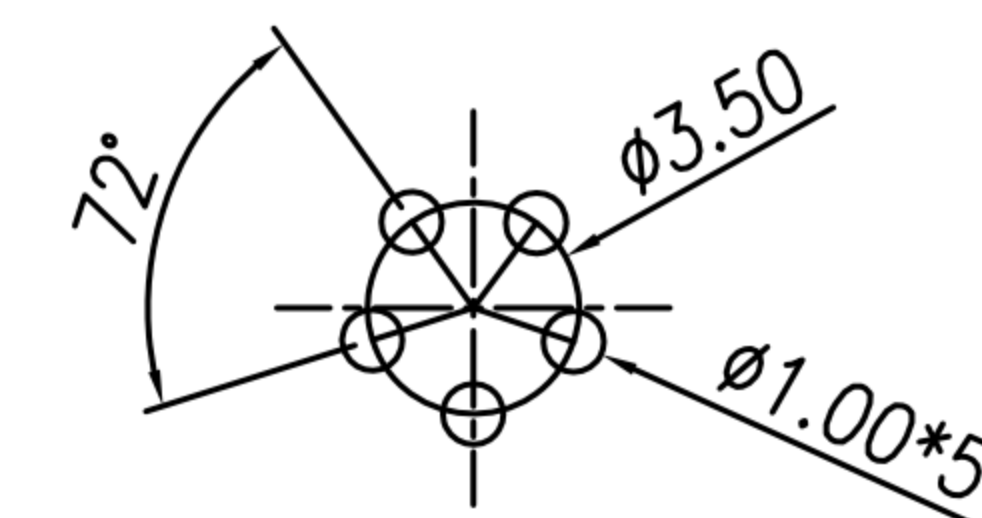
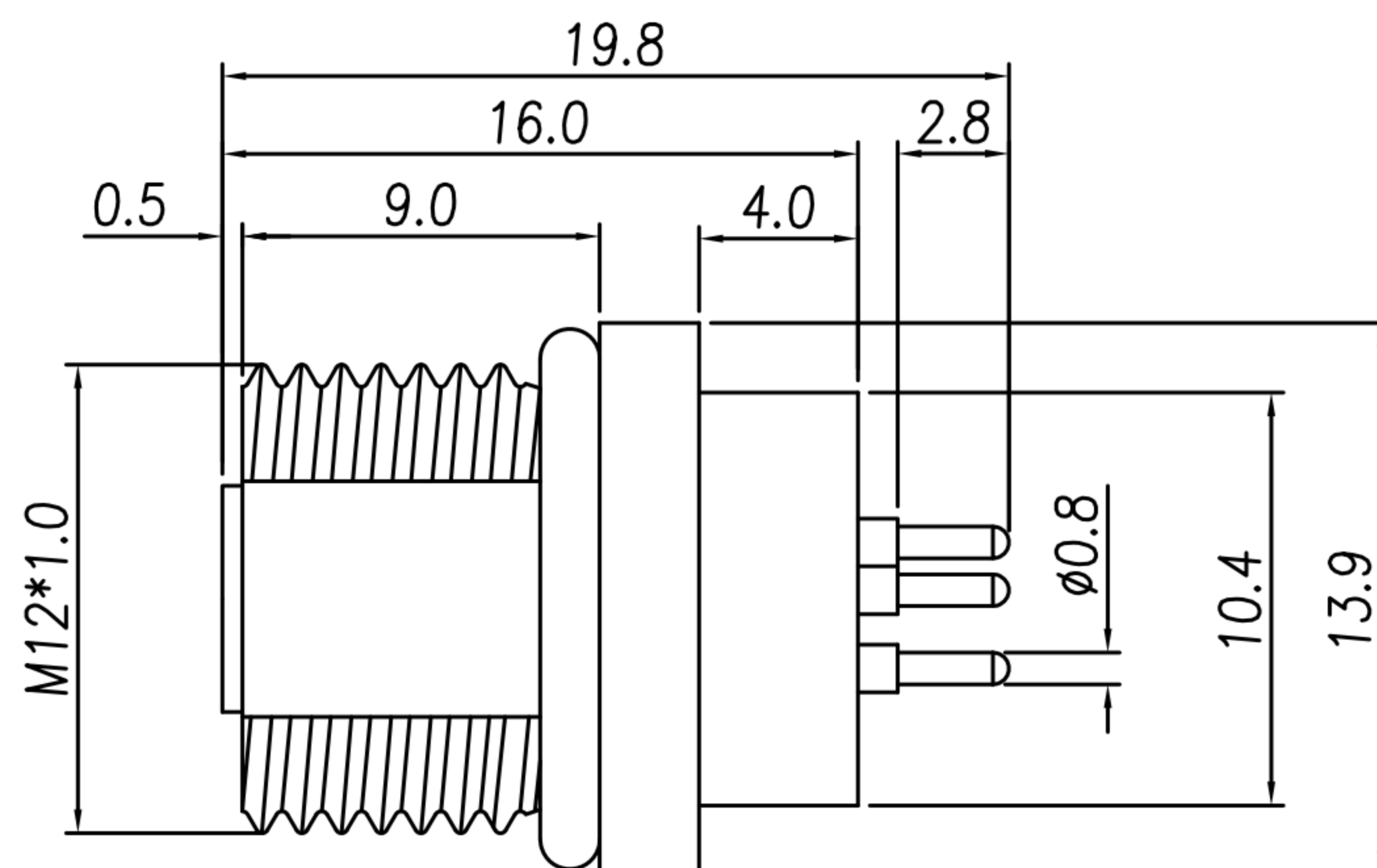
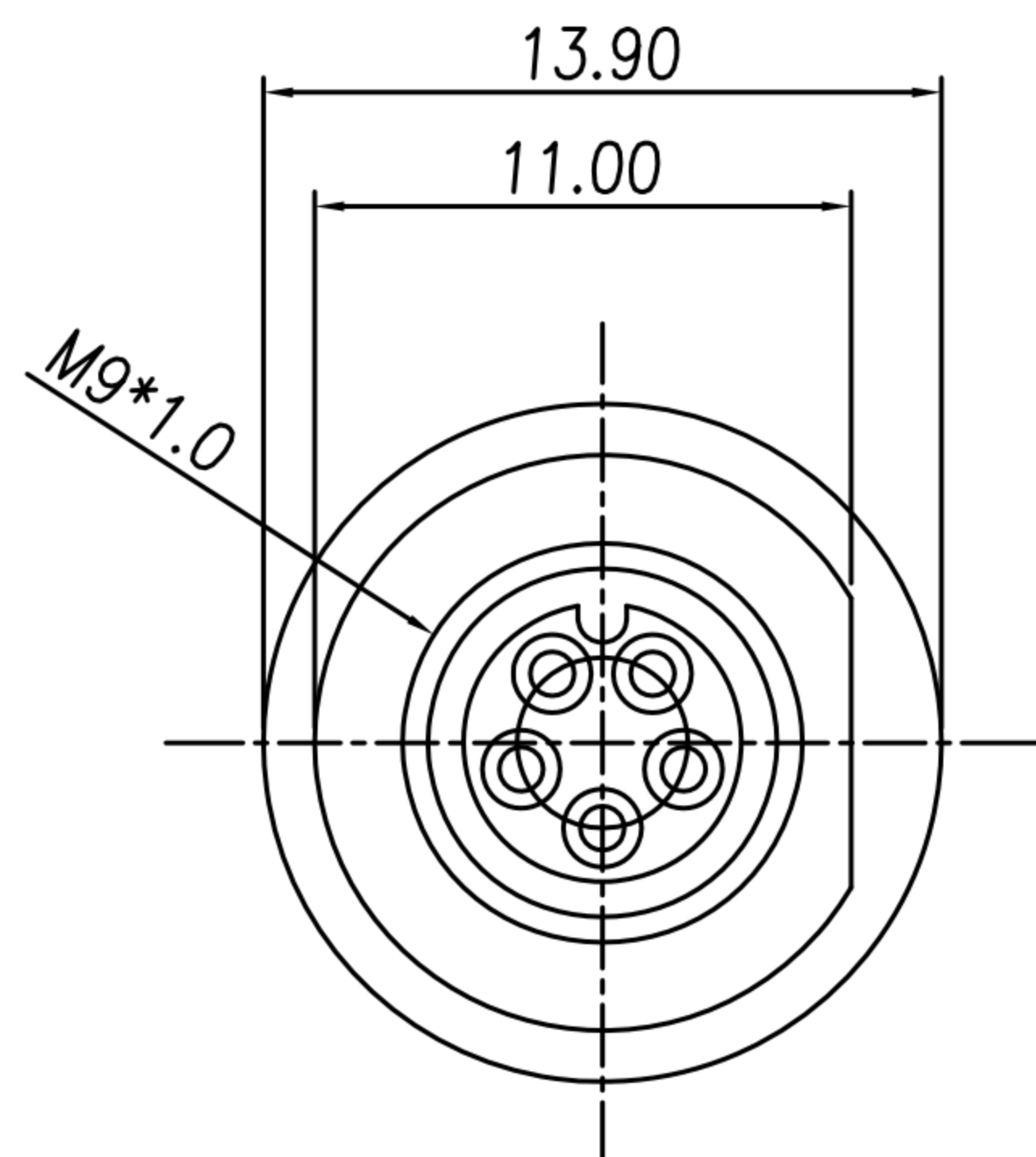
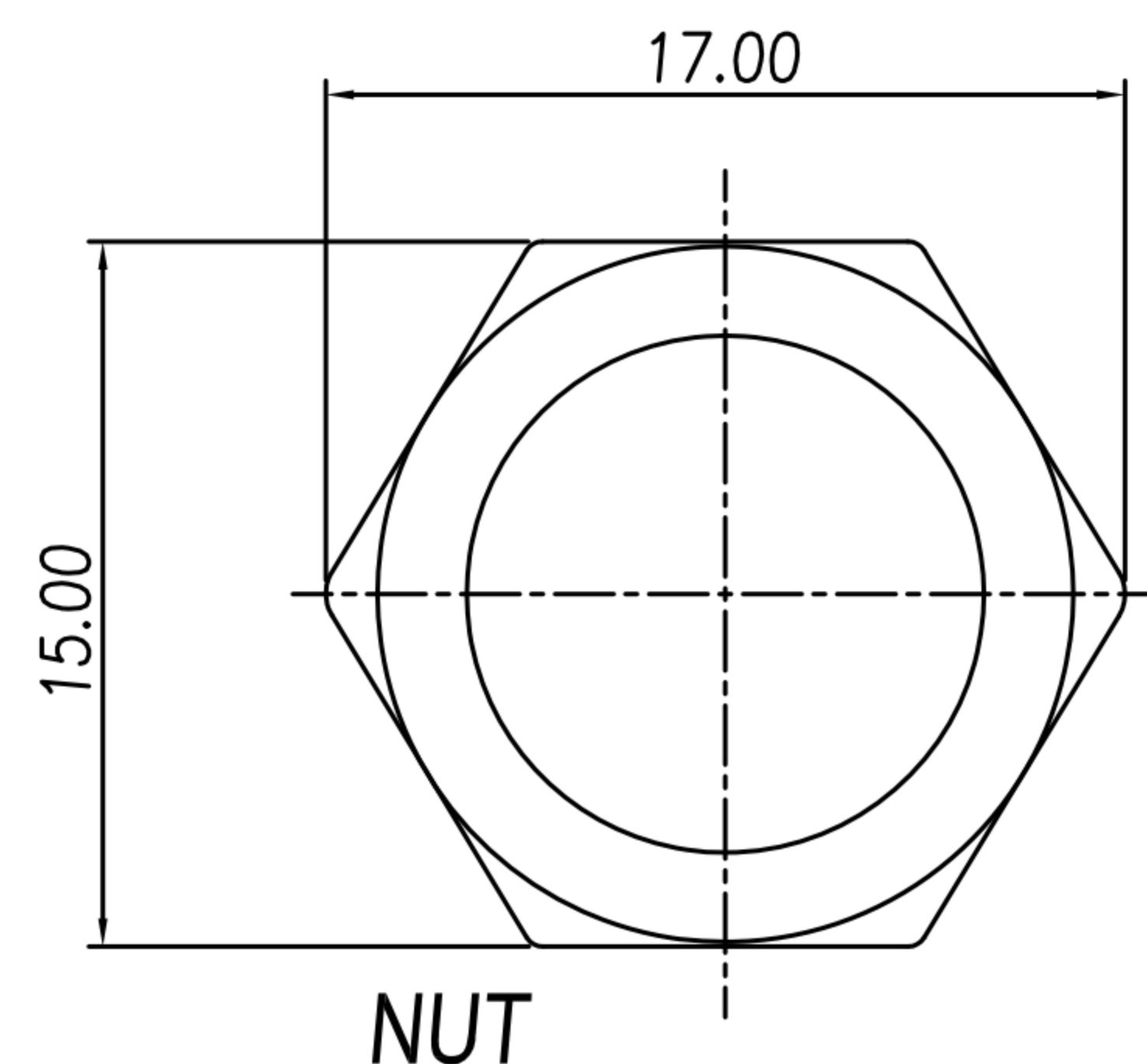


CUSTOMER DRAWING

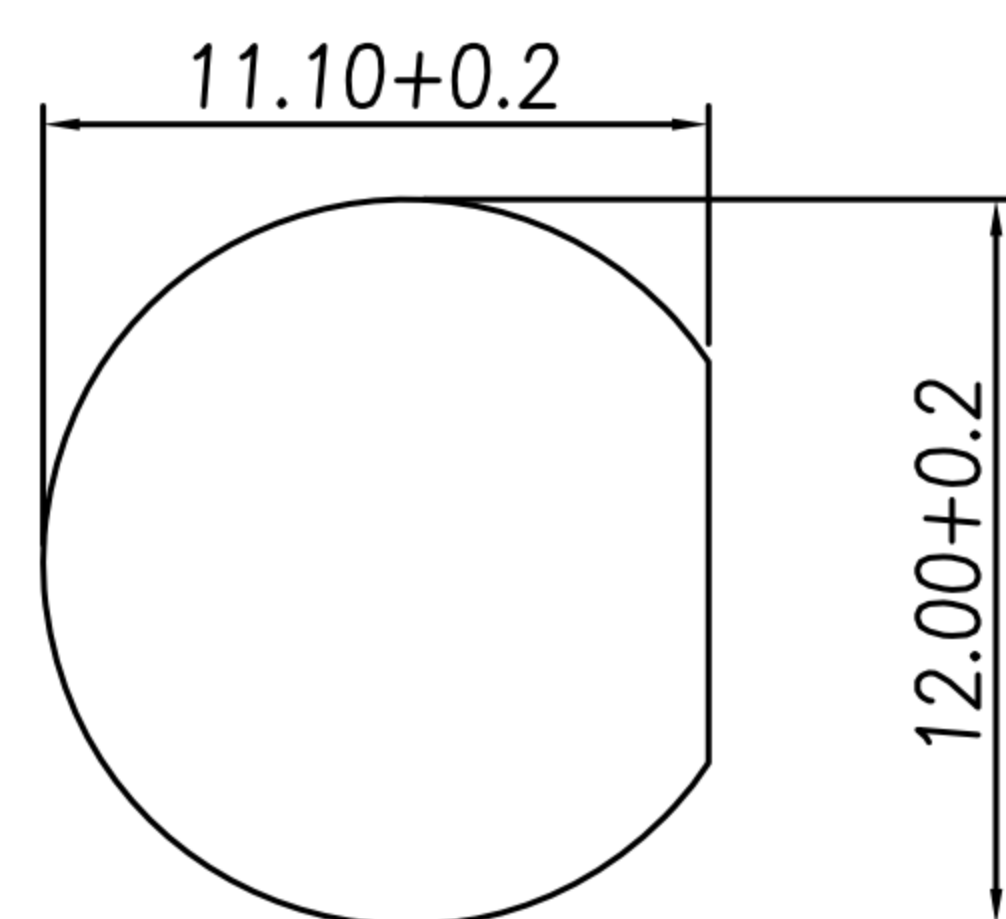
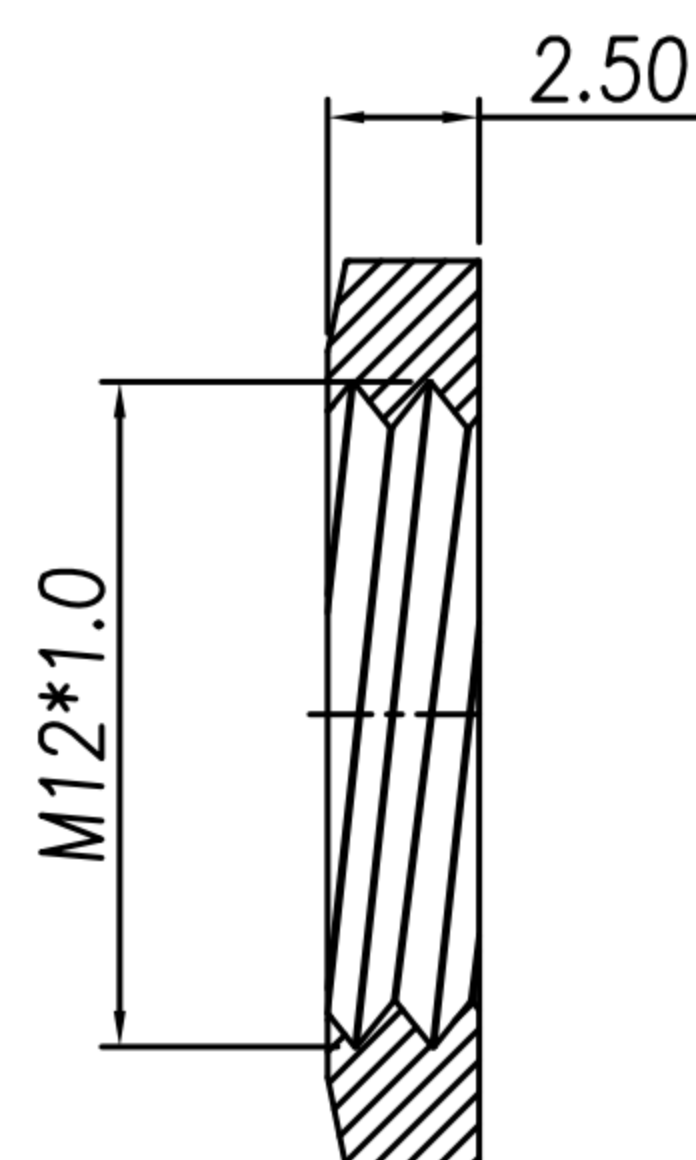
REV.	DESCRIPTION	APPROVED BY	DATE	ECN NO.
△A	RELEASE	Fido Weng	31/03/16*	
△B				
△C				



RECOMMEND P.C.B LAYOUT



NUT



PANEL CUT-OUT

- MATERIAL :
 - HOUSING : PBT UL94V-0 ; COLOR : BLACK
 - CONTACT : BRASS
 - O-RING A : NBR; COLOR : BLACK
 - O-RING B : EPDM ; COLOR : BLACK
 - NUT : BRASS
 - SHELL : BRASS
- FINISH :
 - CONTACT : GOLD PLATED
UNDER PLATE : NICKEL
 - NUT : NICKEL PLATED .
 - SHELL : NICKEL PLATED .
- ELECTRICAL SPECIFICATION :
 - Rated current : 4A
 - Voltage : 60V
 - Water proof: IPX7
- Environmental :
 - Operation Temperature : -20 ℃~85℃

DRAWN	KU	APP'D	UNIT	mm	TOLERANCE		广东科斯达电子科技有限公司 GUANG DONG KE SI DA ELECTRONIC TECHNOLOGY CO., LTD.	TITLE	防水頭 M9 5PIN (F) 板端前鎖DIP式			SHEET	1 1
CHK'D			SCALE	1:1	.x ±0.20 .xx ±0.10 .xxx ±0.05 .xxxx ±0.03 ANGULA ±1°			PART NO.	WP-05F3-01-11	DWG NO.	QC7644	VERSION	