

# CUSTOMER DRAWING

REV.	DESCRIPTION	APPROVED BY	DATE	ECN NO.
△A	RELEASE	Fido Weng	23/03/17'	
△B	ADD P/N	KU CHOU	11/07/19'	
△C	ADD P/N	KU CHOU	22/01/21'	

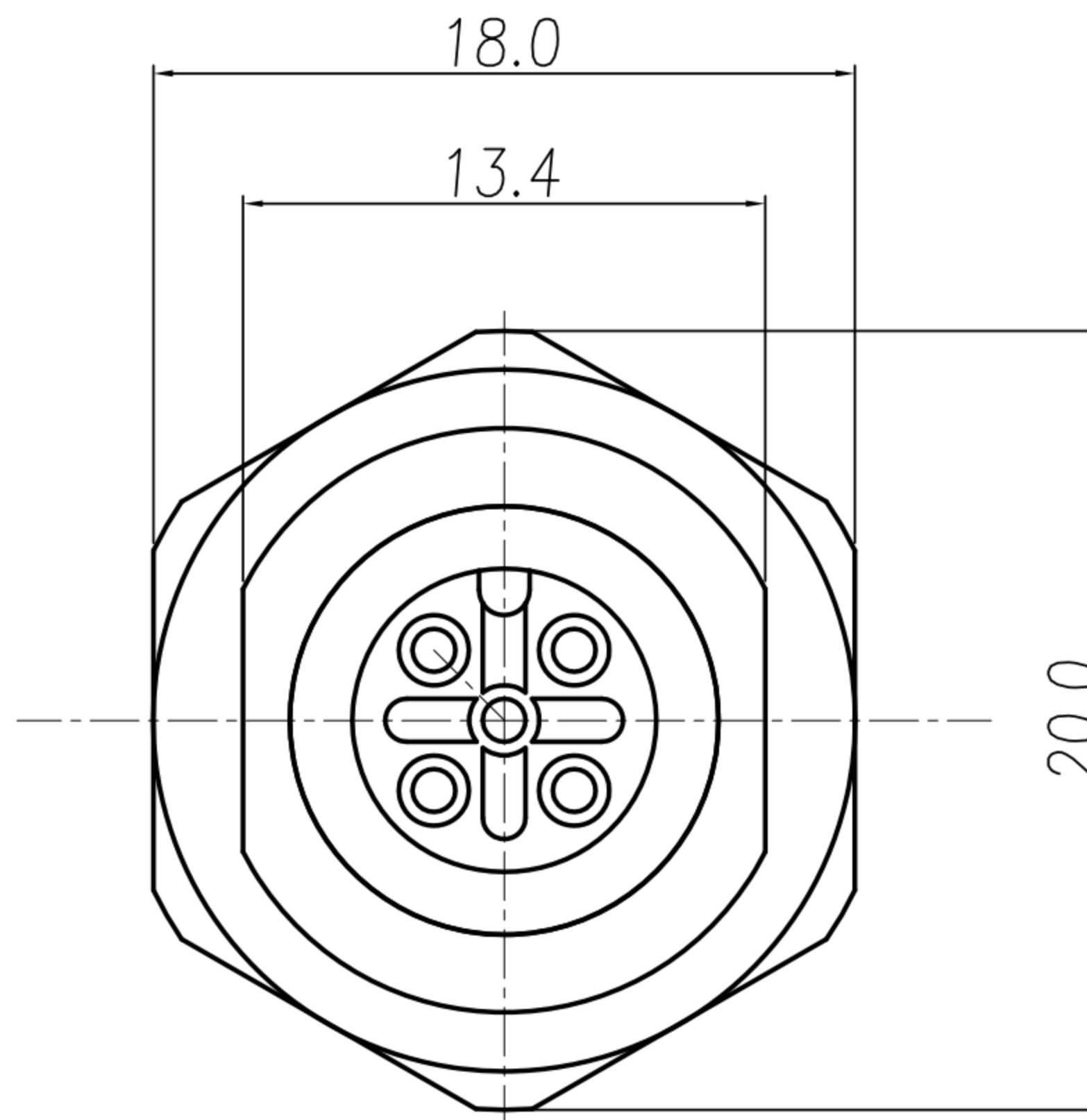
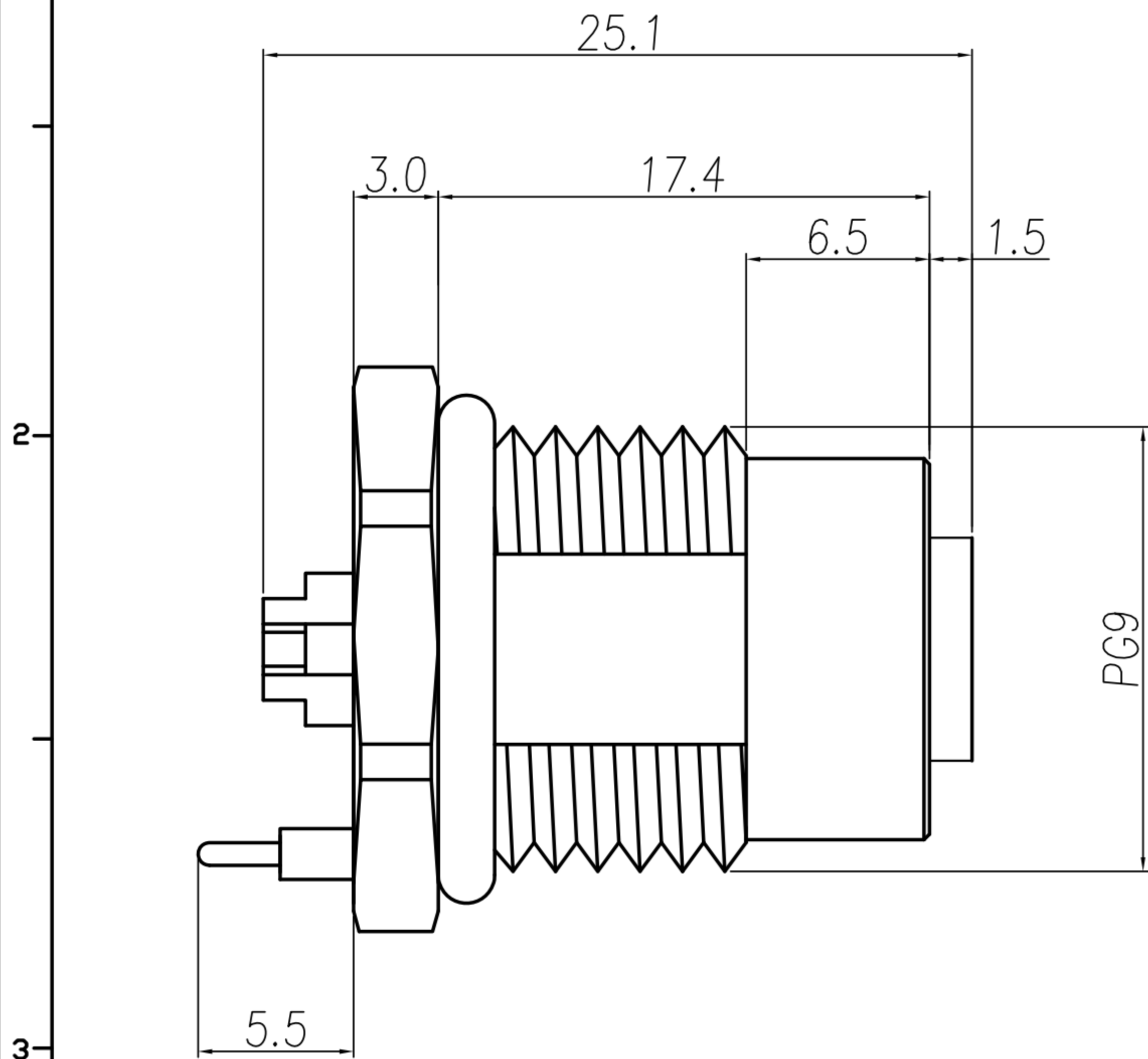
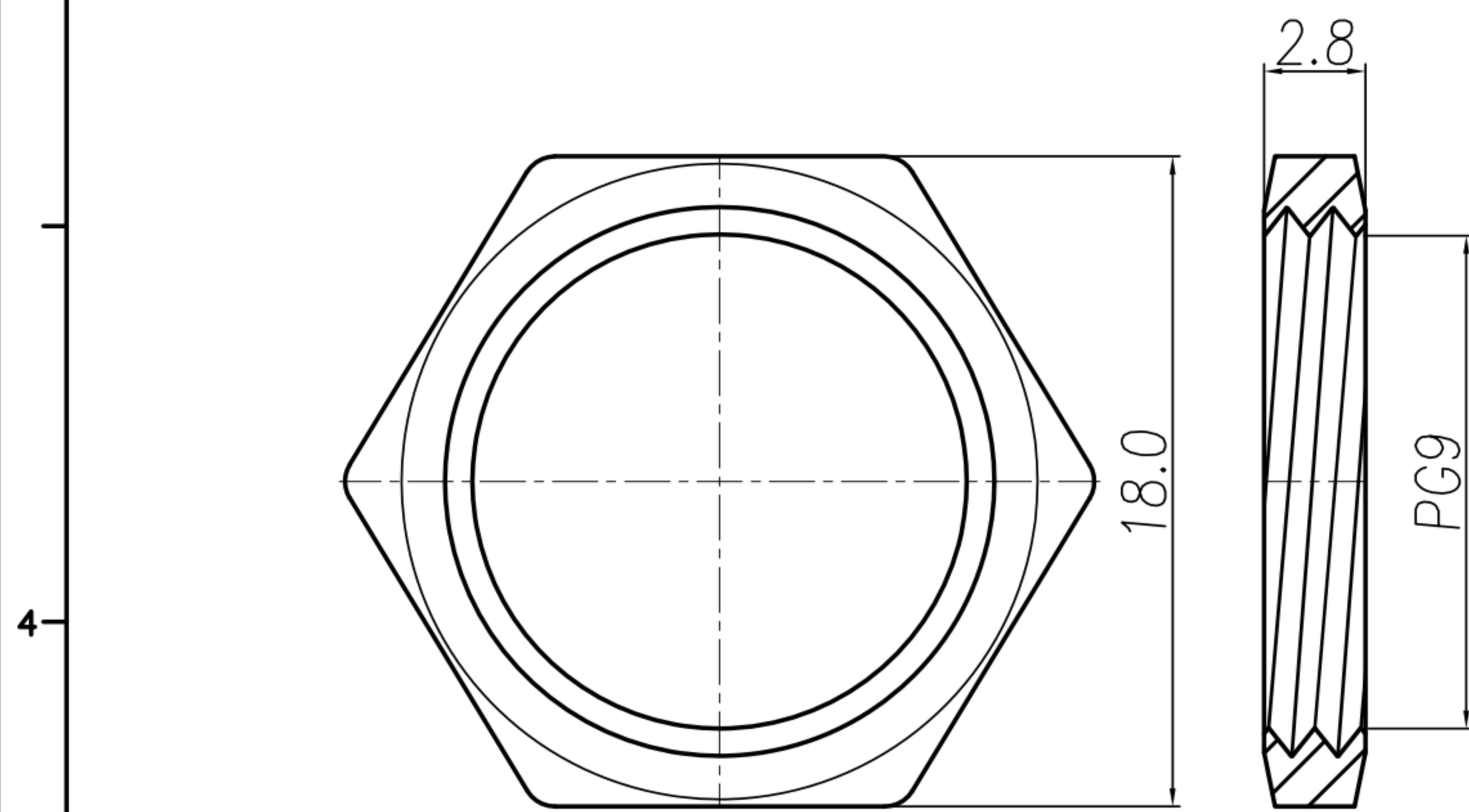


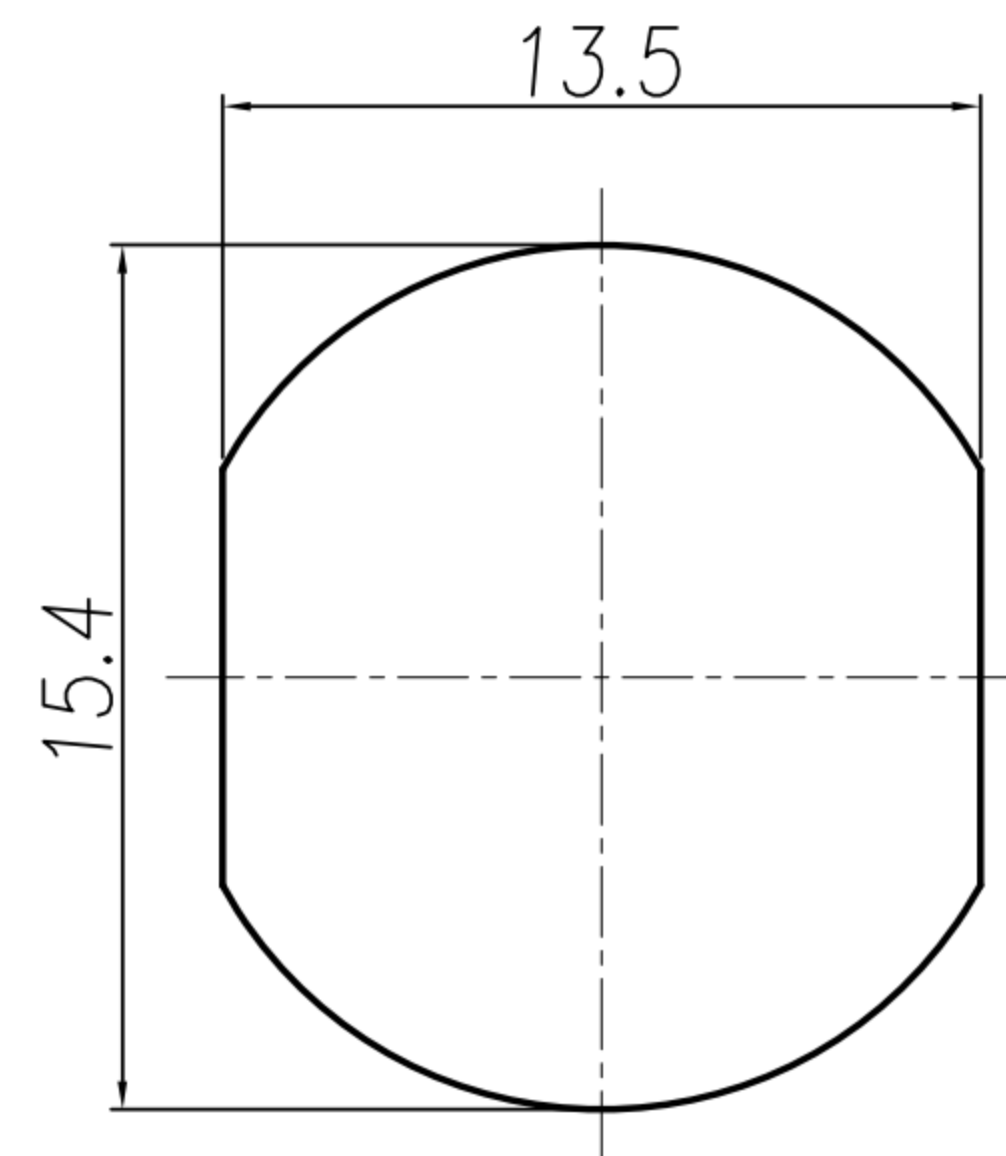
TABLE A △C

WP-04F2-237-11	WP-03F2-160-11	WP-02F2-92-11
WP-05F2-128-11	WP-03F2-161-11	WP-02F2-93-11

Pin Assignments  
Front View



NUT



RECOMMENDPANEL CUT-OUT

- MATERIAL :
  - 1-1. HOUSING : PBT UL94V-0 ; COLOR : BLACK
  - 1-2. CONTACT : BRASS
  - 1-3. NUT : BRASS
  - 1-4. SHELL : BRASS
  - 1-5. O-RING : EPDM ; COLOR : BLACK(13\*2)
- FINISH :
  - 2-1. CONTACT : 10 MICRO INCHES MIN. GOLD PLATED  
UNDER PLATE : NICKEL
  - 2-2. NUT : NICKEL PLATED
  - 2-3. SHELL : NICKEL PLATED
- ELECTRICAL SPECIFICATION :
  - 3-1. Rated current : 4A
  - 3-2. Rated Voltage : 2PIN~4PIN 250V ; 5PIN 60V
  - 3-3. Water proof : IPX7
- Environmental :
  - 4-1. Operation Temperature : -40℃~85℃

DRAWN	EMILY SUEN	APP'D	KU CHOU	UNIT	mm	TOLERANCE		广东科斯达电子科技有限公司 GUANG DONG KE SI DA ELECTRONIC TECHNOLOGY CO., LTD.	TITLE	防水 M12 A-code (F) 插针PG9屏蔽式(无插槽+接地)			SHEET	1 C
CHK'D	KU CHOU			SCALE	1:1	.x ±0.20 .xx ±0.10 .xxx ±0.05 .xxxx ±0.03 ANGULA ±1°			PART NO.	SEE TABLE A	DWG NO.	QC7775	VERSION	