

CUSTOMER DRAWING

REV.	DESCRIPTION	APPROVED BY	DATE	ECN NO.
△A	RELEASE	Fido Weng	10/01/11'	
△B				
△C				

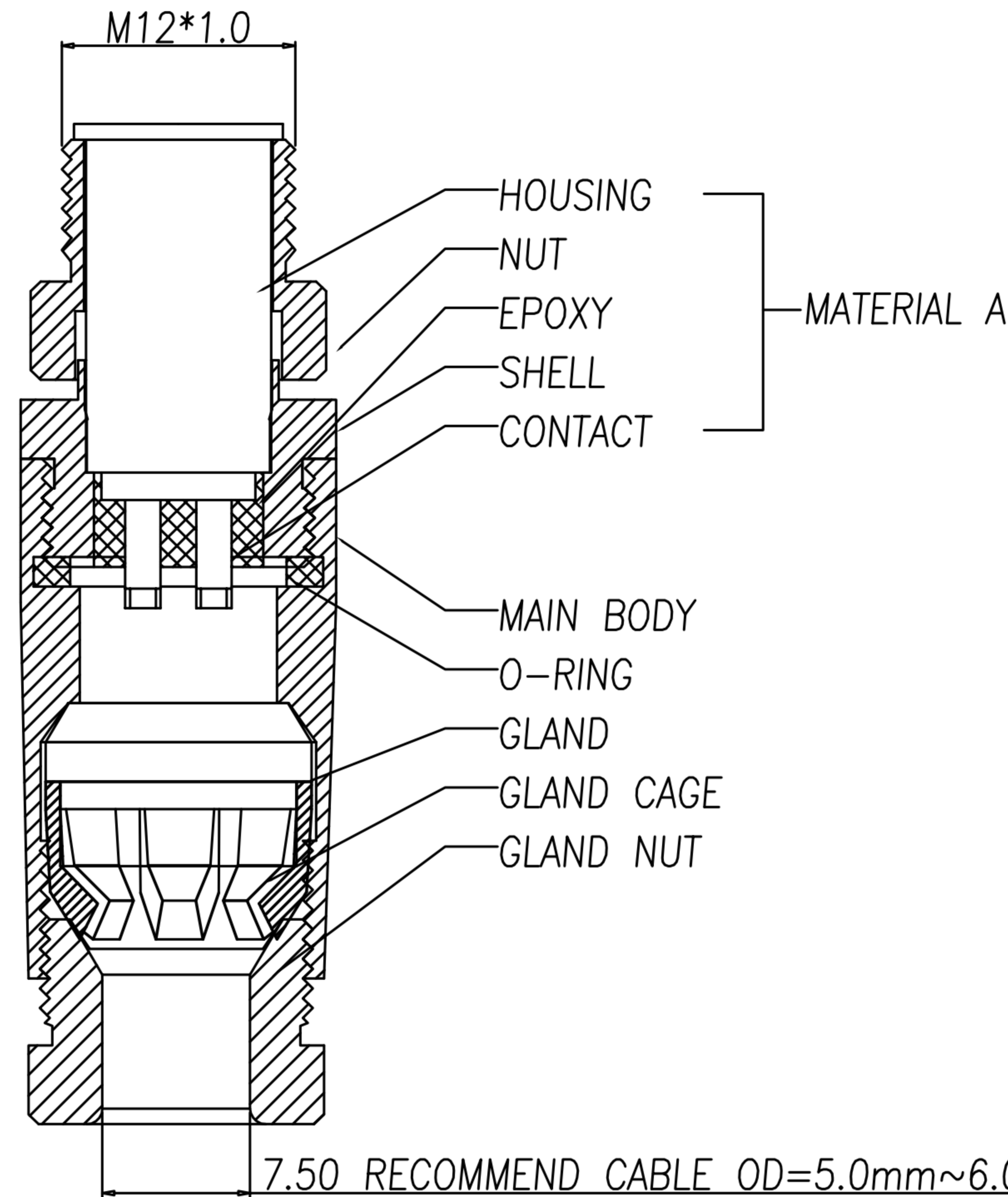
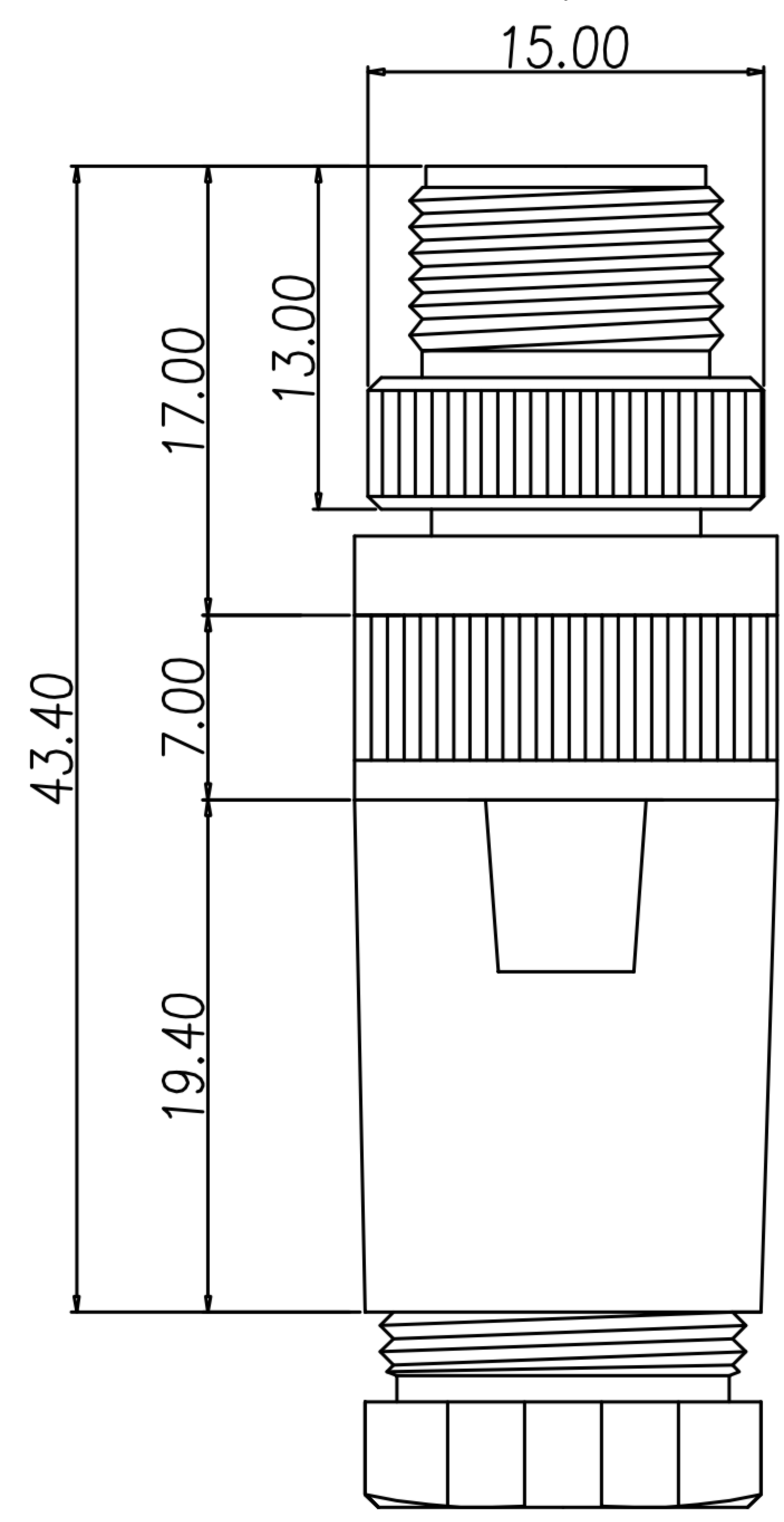
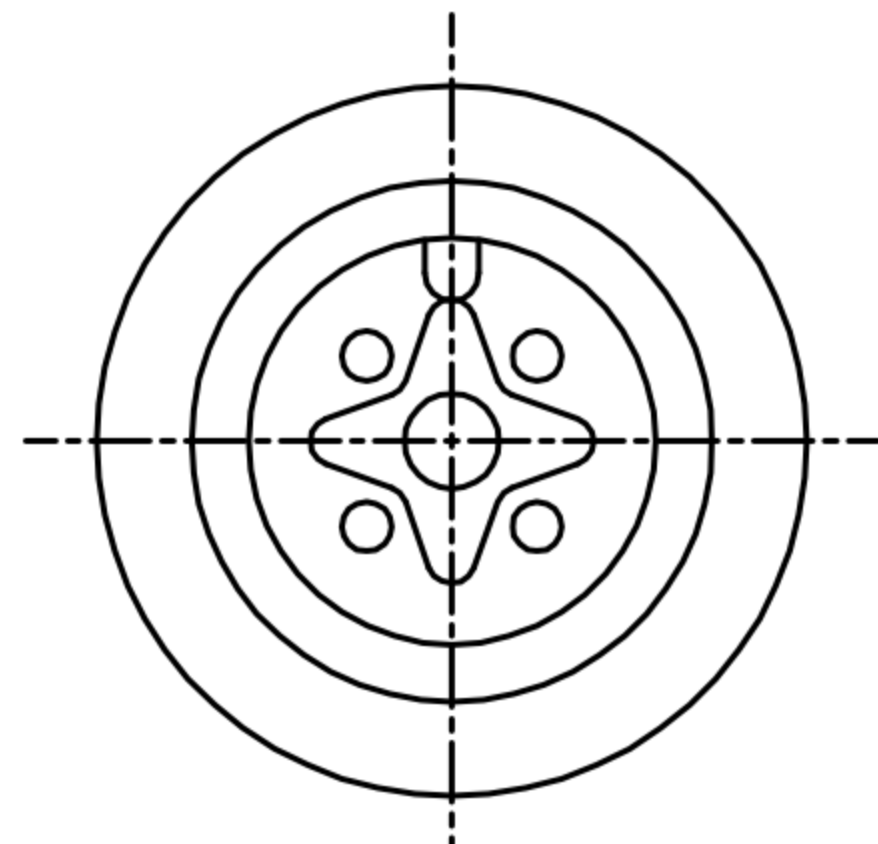


TABLE A

5PIN	4PIN	3PIN	
WP-05M2-68 WP-05M2-102-11	WP-04M2-53 WP-04M2-122-11	WP-03M2-52-11 WP-03M2-79-11	
	3PIN	2PIN	
	WP-03M2-53-11 WP-03M2-78-11	WP-02M2-76-11 WP-02M2-77-11	
WP-02M2-76-11	GOLD FLASH	WP-02M2-77-11	GOLD 10u"
WP-03M2-53-11	GOLD FLASH	WP-03M2-79-11	GOLD 10u"
WP-03M2-52-11	GOLD FLASH	WP-03M2-78-11	GOLD 10u"
WP-04M2-53	GOLD FLASH	WP-04M2-122-11	GOLD 10u"
WP-05M2-68	GOLD FLASH	WP-05M2-102-11	GOLD 10u"
PART NO	FINISH	PART NO	FINISH

- MATERIAL :
 - MATERIAL A :
 - HOUSING : PBT UL94V-0 ; COLOR : BLACK.
 - CONTACT : BRASS
 - NUT : ALUMINIUM ALLOY
 - SHELL : ALUMINIUM ALLOY
 - MAIN BODY : ALUMINIUM ALLOY
 - GLAND : SILICONE ; COLOR : BLACK.
 - GLAND CAGE : POM ; COLOR : BLACK.
 - GLAND NUT : ALUMINIUM ALLOY
 - O-RING : SILICONE ; COLOR : BLACK.
- FINISH :
 - MATERIAL A :
 - CONTACT : SEE TABLE A
 - NUT : SATIN NICKEL PLATED.
 - SHELL : SATIN NICKEL PLATED.
 - MAIN BODY : SATIN NICKEL PLATED.
 - GLAND NUT : SATIN NICKEL PLATED.
- ELECTRICAL SPECIFICATION :
 - Rated current : 4A
 - Rated voltage : 2~4PIN 250V ; 5PIN 60V
 - Water proof : IP67/68
- Environmental :
 - Operation Temperature : -20°C~85°C

DRAWN	Ku Chou	APP'D	Emily Suen	UNIT	mm	TOLERANCE			TITLE	M12 (M) A-coded Assembly type			SHEET	1
CHK'D	Emily Suen			SCALE	1:1				PART NO.	SEE TABLE A	DWG NO.	QC5206	VERSION	A

广东科斯达电子科技有限公司
GUANG DONG KE SI DA ELECTRONIC TECHNOLOGY CO., LTD.