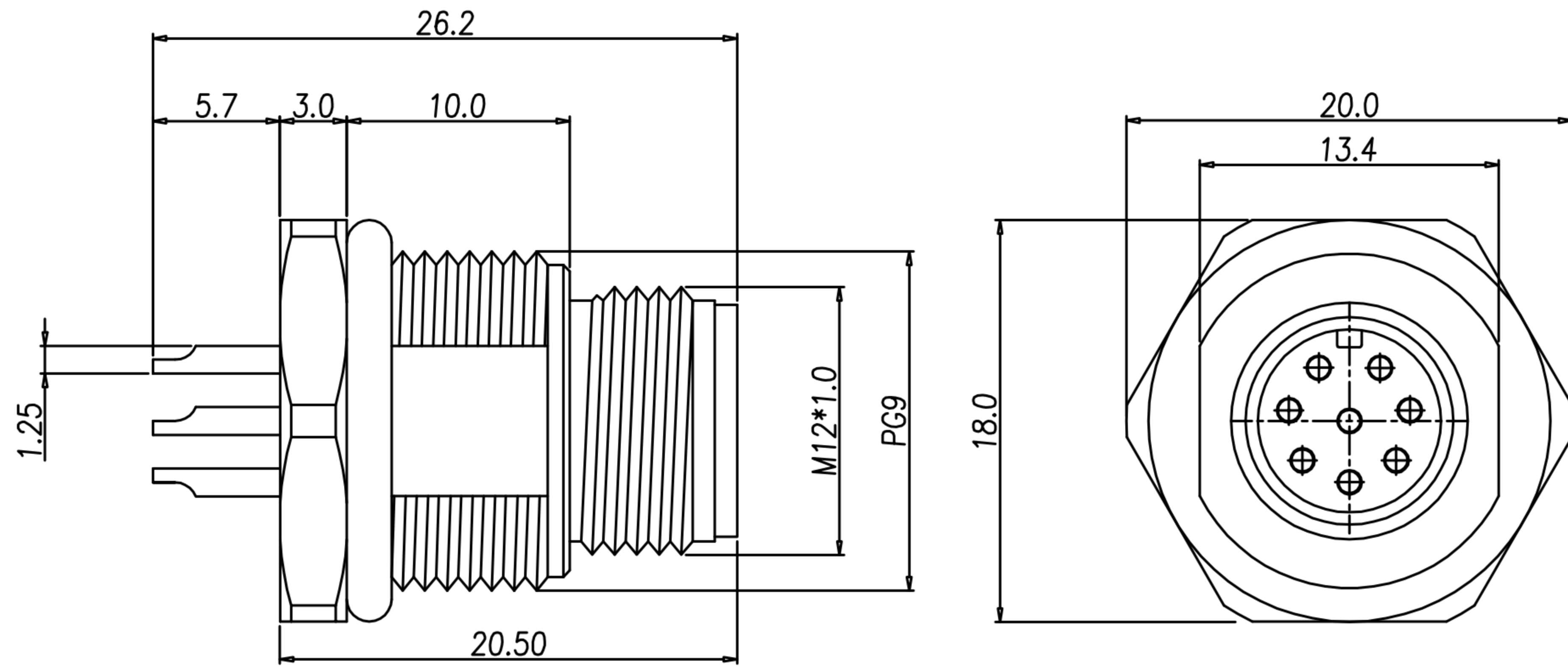
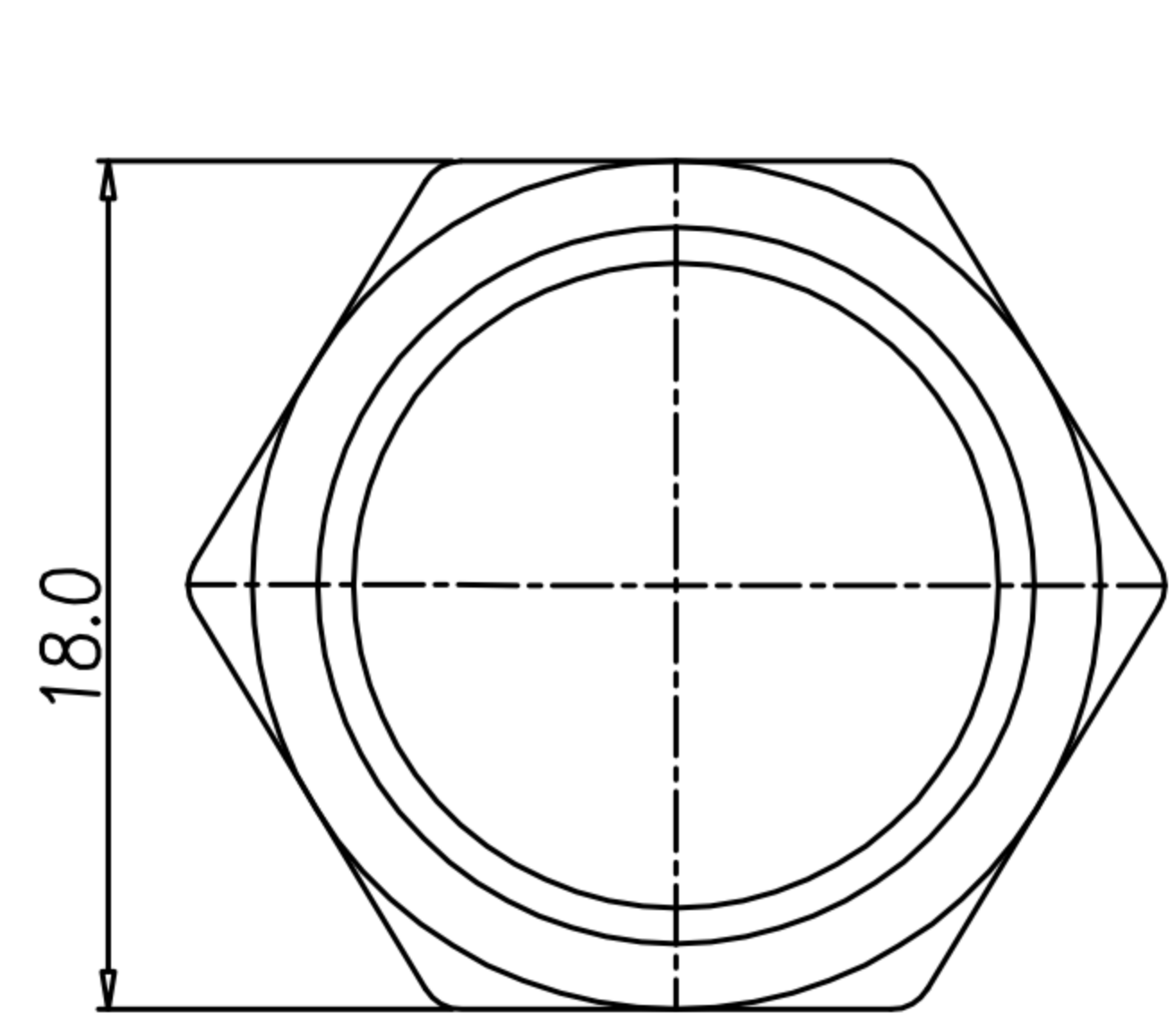


# CUSTOMER DRAWING

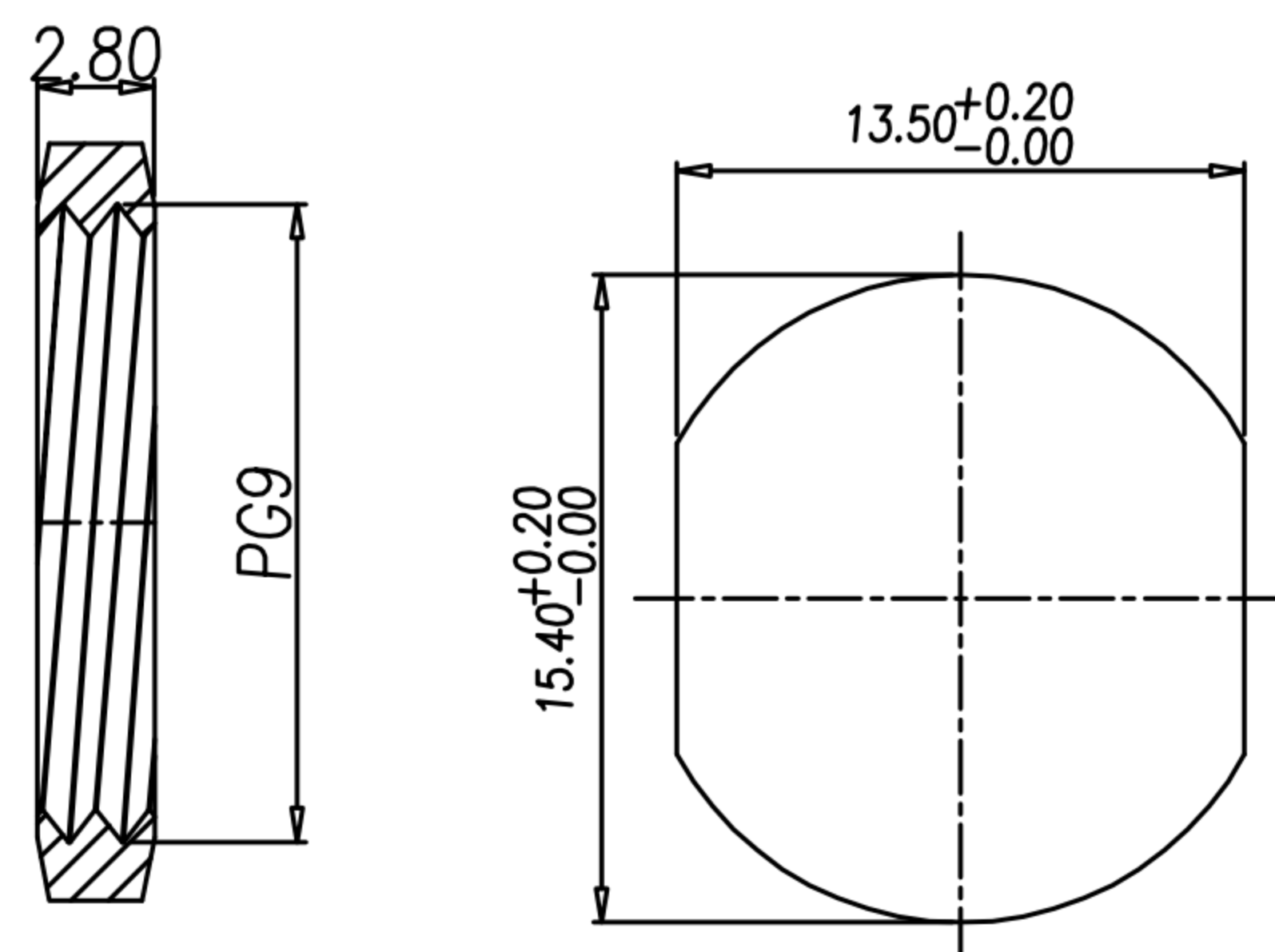
REV.	DESCRIPTION	APPROVED BY	DATE	ECN NO.
△A	RELEASE	Fido Weng	01/07/13'	
△B				
△C				



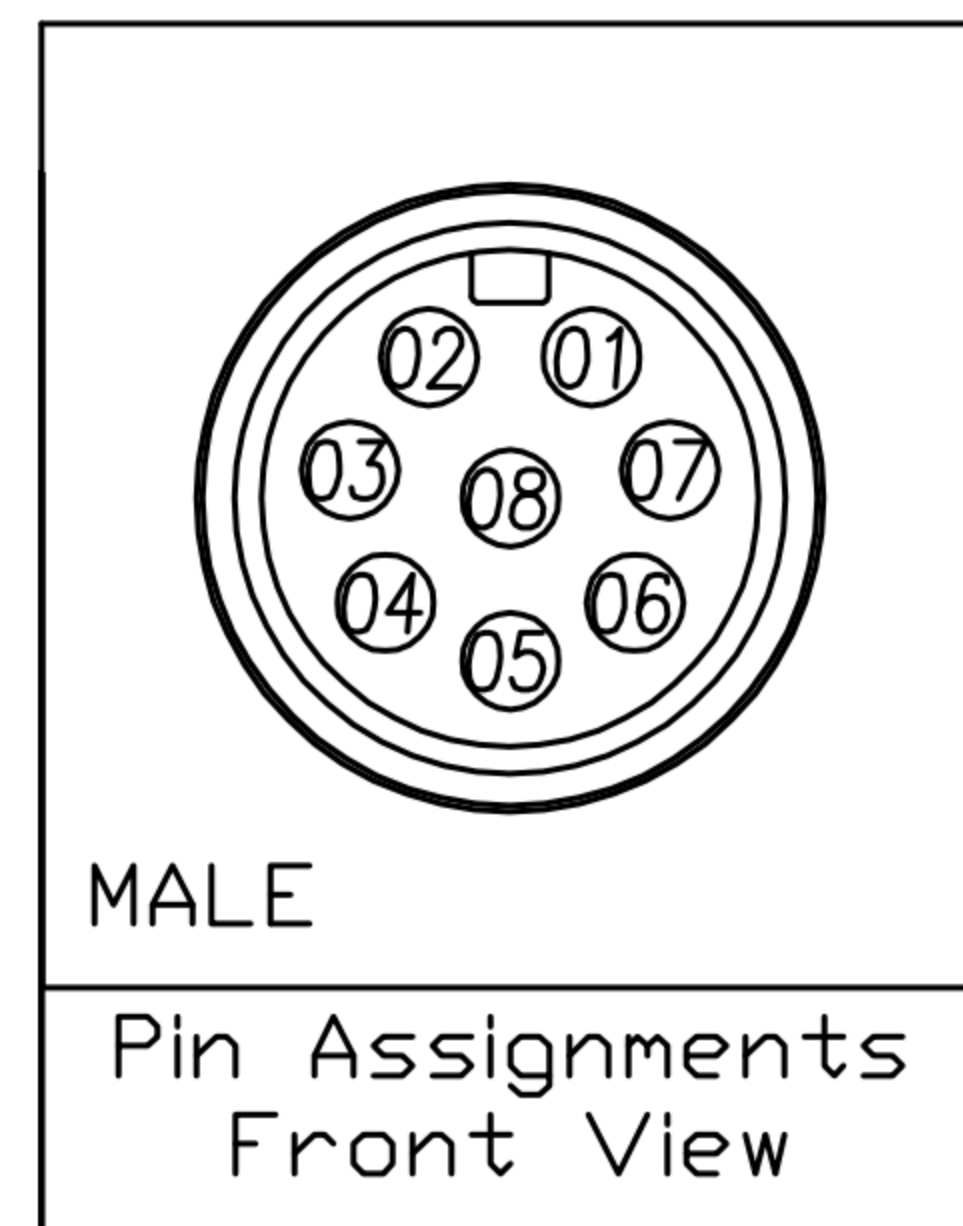
- MATERIAL :
  - 1-1. HOUSING : PBT UL94V-0 ; COLOR : BLACK
  - 1-2. CONTACT : BRASS
  - 1-3. NUT : BRASS
  - 1-4. SHELL : BRASS
  - 1-5. O-RING : EPDM
- FINISH :
  - 2-1. CONTACT : 10 MICRO INCHES MIN. GOLD PLATED  
UNDER PLATE : NICKEL
  - 2-2. NUT : NICKEL PLATED
  - 2-3. SHELL : NICKEL PLATED
- ELECTRICAL SPECIFICATION :
  - 3-1. Rated current : 2A
  - 3-2. Rated Voltage : 30V
  - 3-3. Water proof : IPX7
- Environmental :
  - 4-1. Operation Temperature : -40℃~85℃



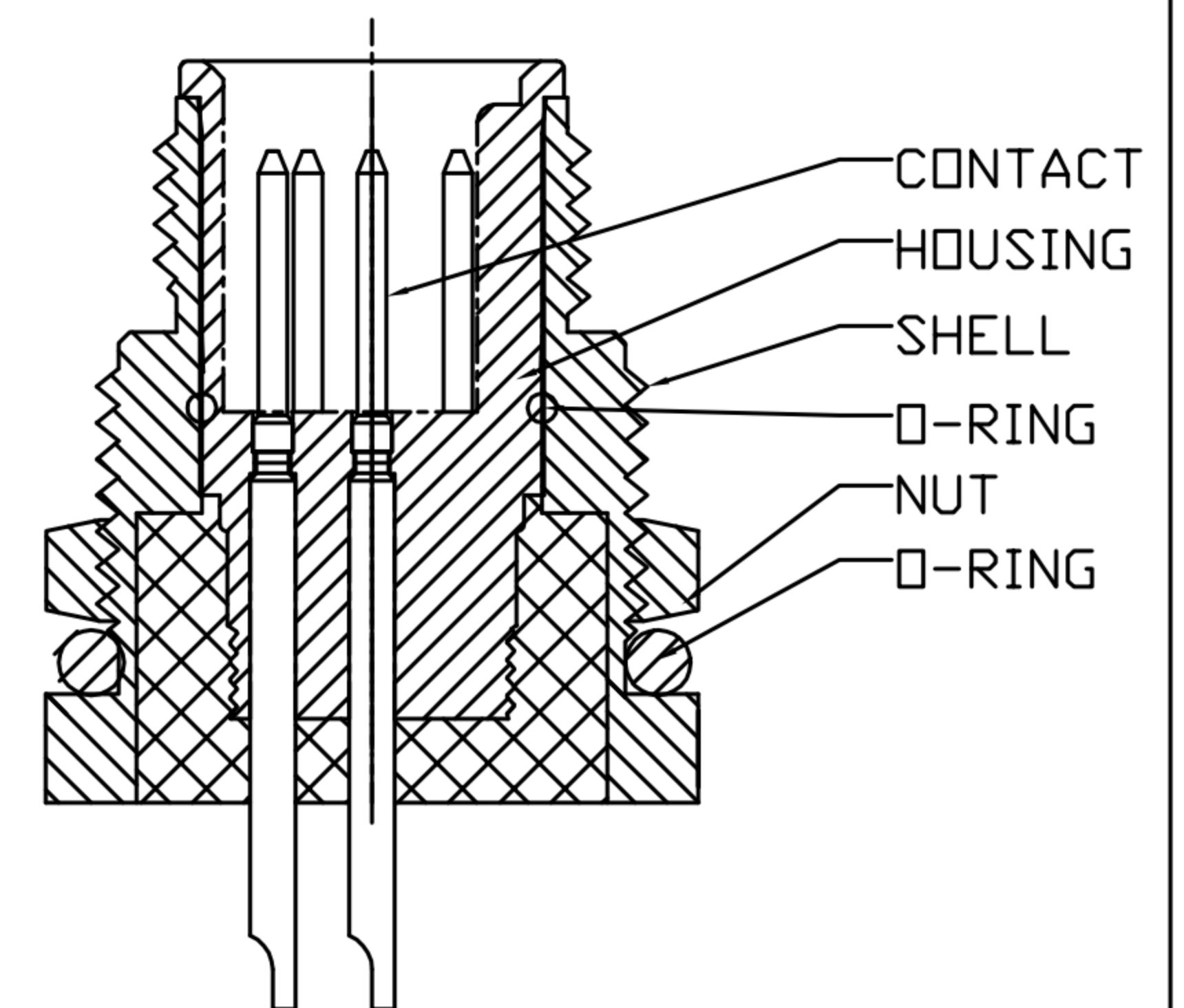
NUT



RECOMMEND PANEL CUT-OUT



MALE  
Pin Assignments  
Front View



DRAWN	Ting	APPEND	Fido Weng	UNIT	mm	TOLERANCE		广东科斯达电子科技有限公司 GUANG DONG KE SI DA ELECTRONIC TECHNOLOGY CO., LTD.	TITLE	M12 8PIN(M) 前端PG9 焊线式(洗双边/无滴槽/螺母双倒角)			SHEET	1
CHKD	Emily Suen			SCALE	1:1				PART NO.	WP-08M2-36-11	DWG NO.	QC6235	VERSION	A