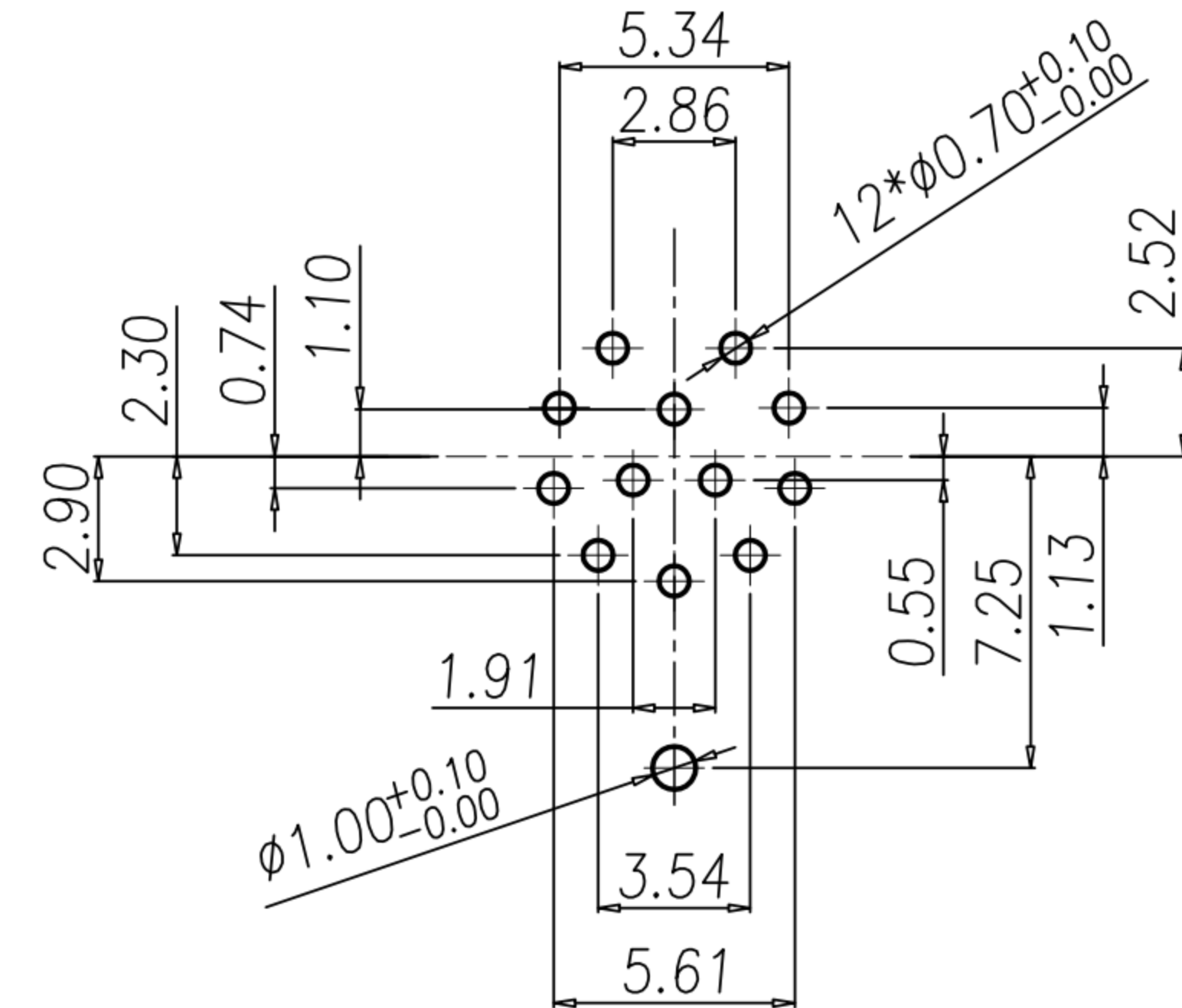
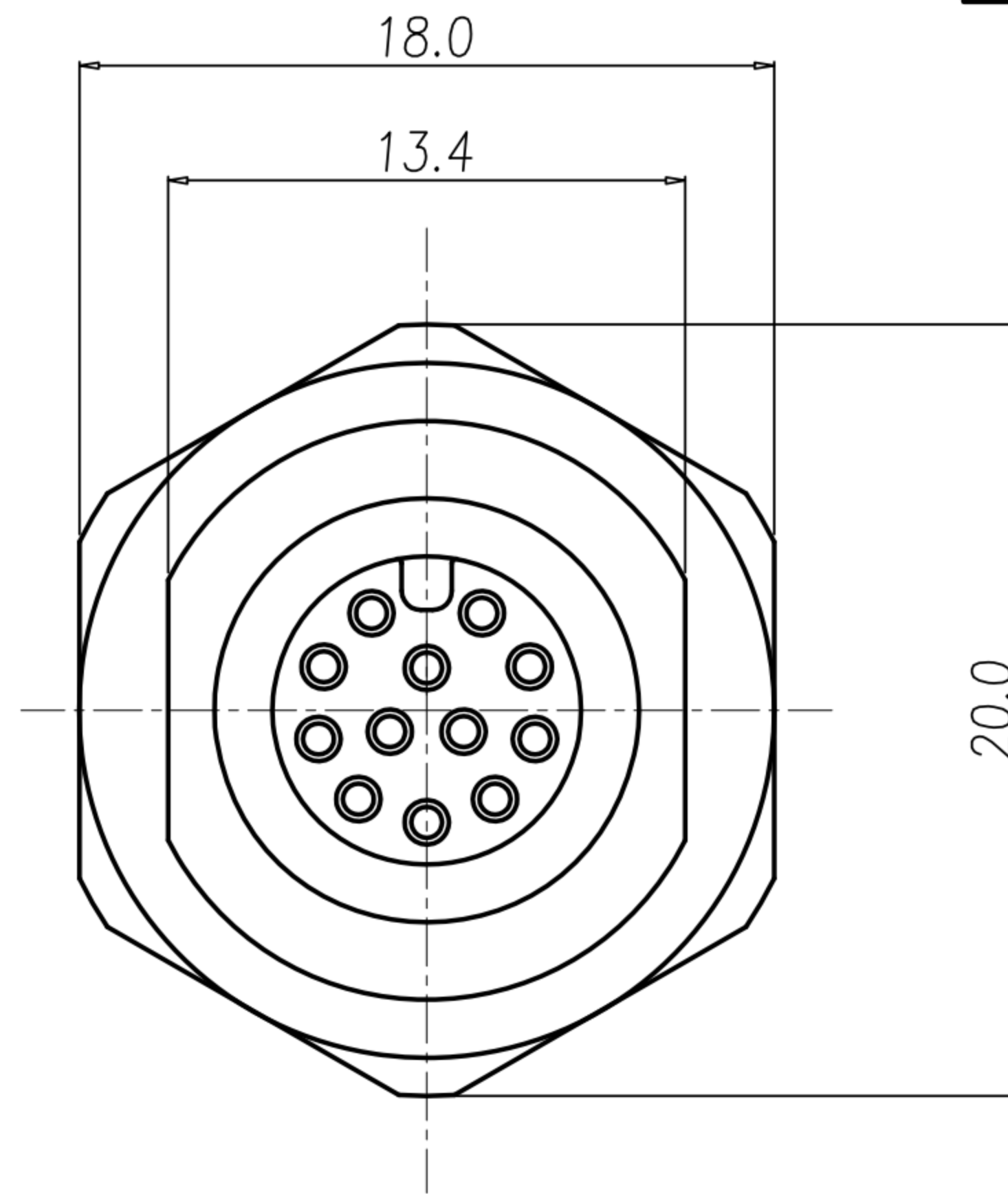
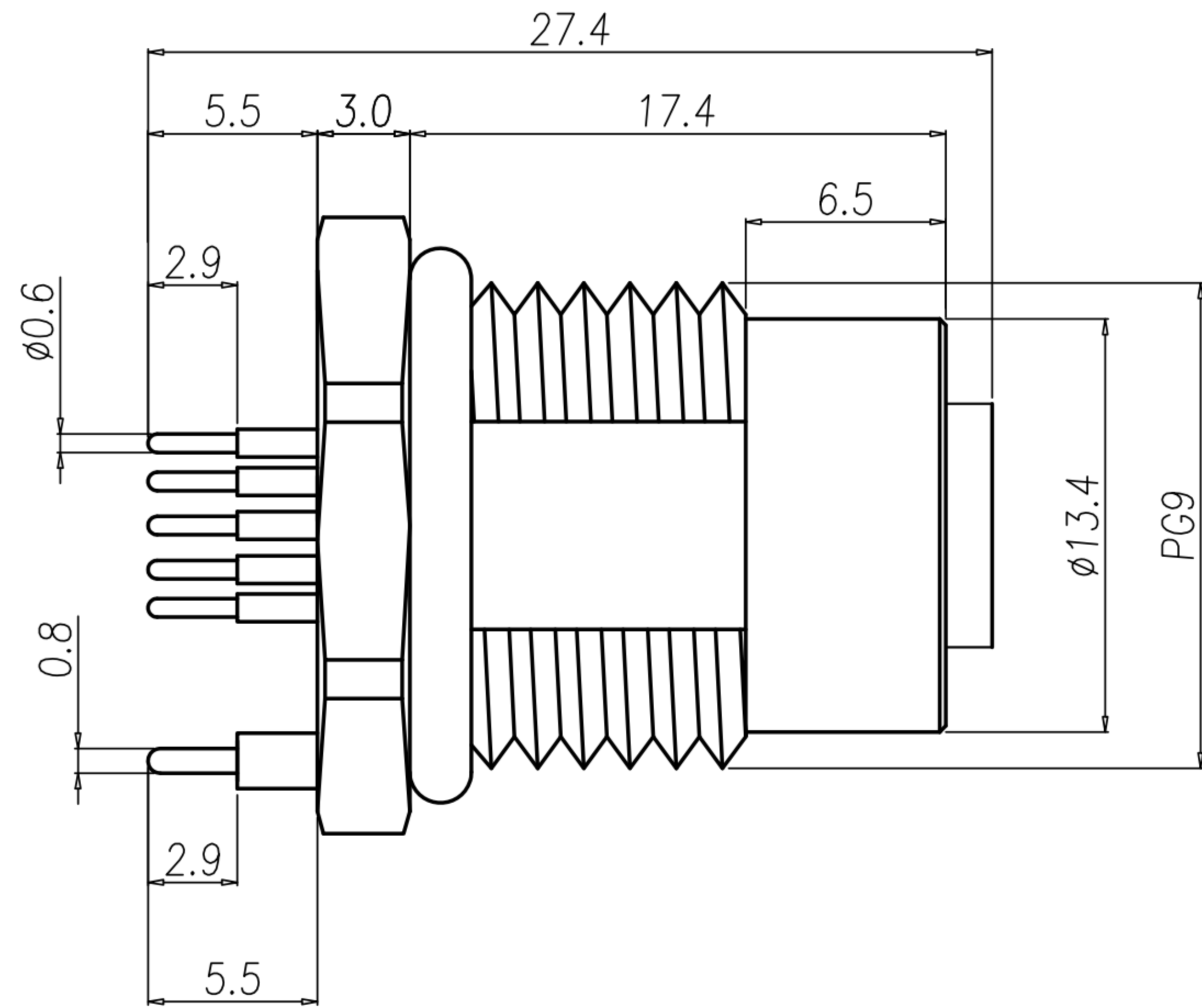
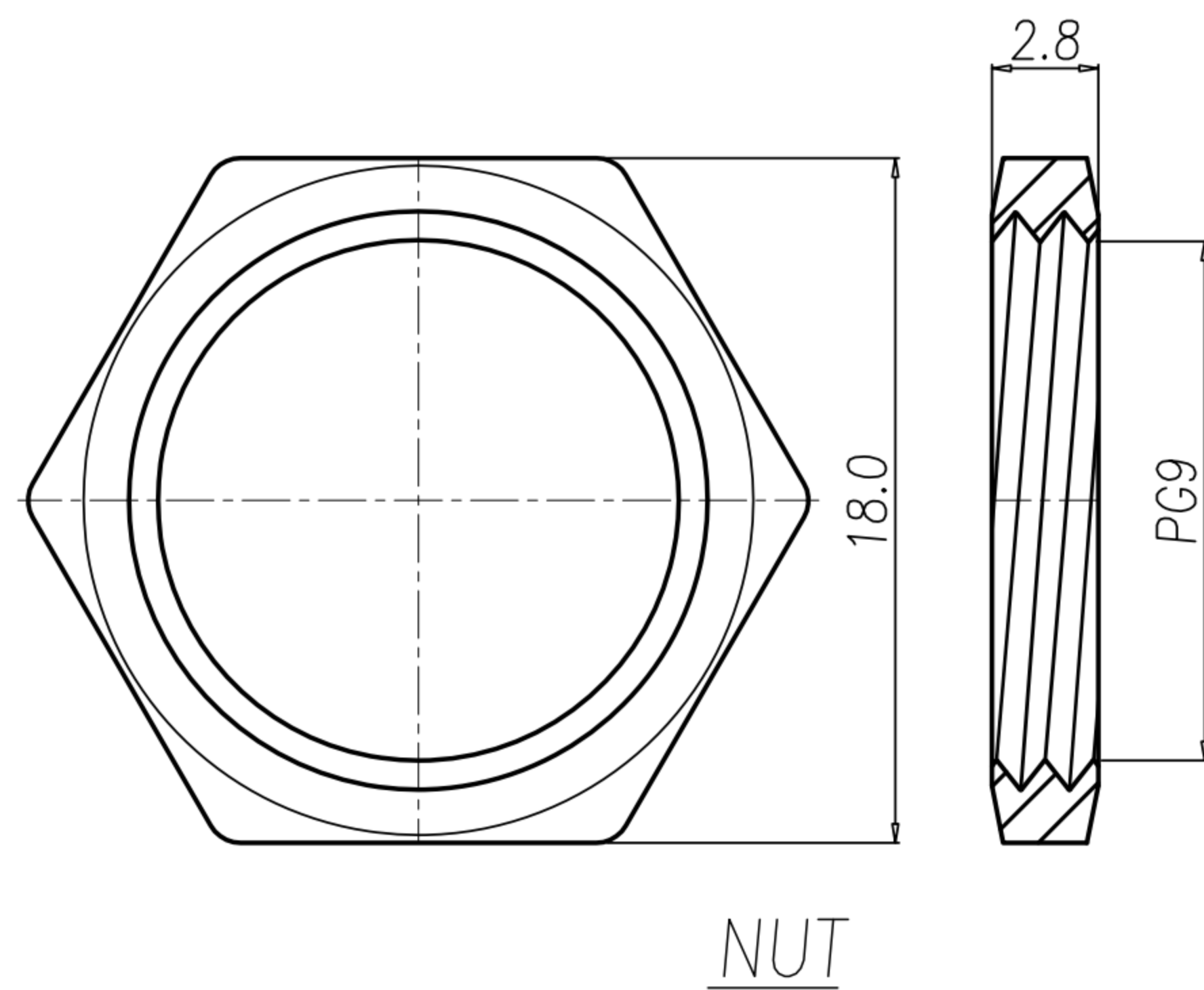


CUSTOMER DRAWING

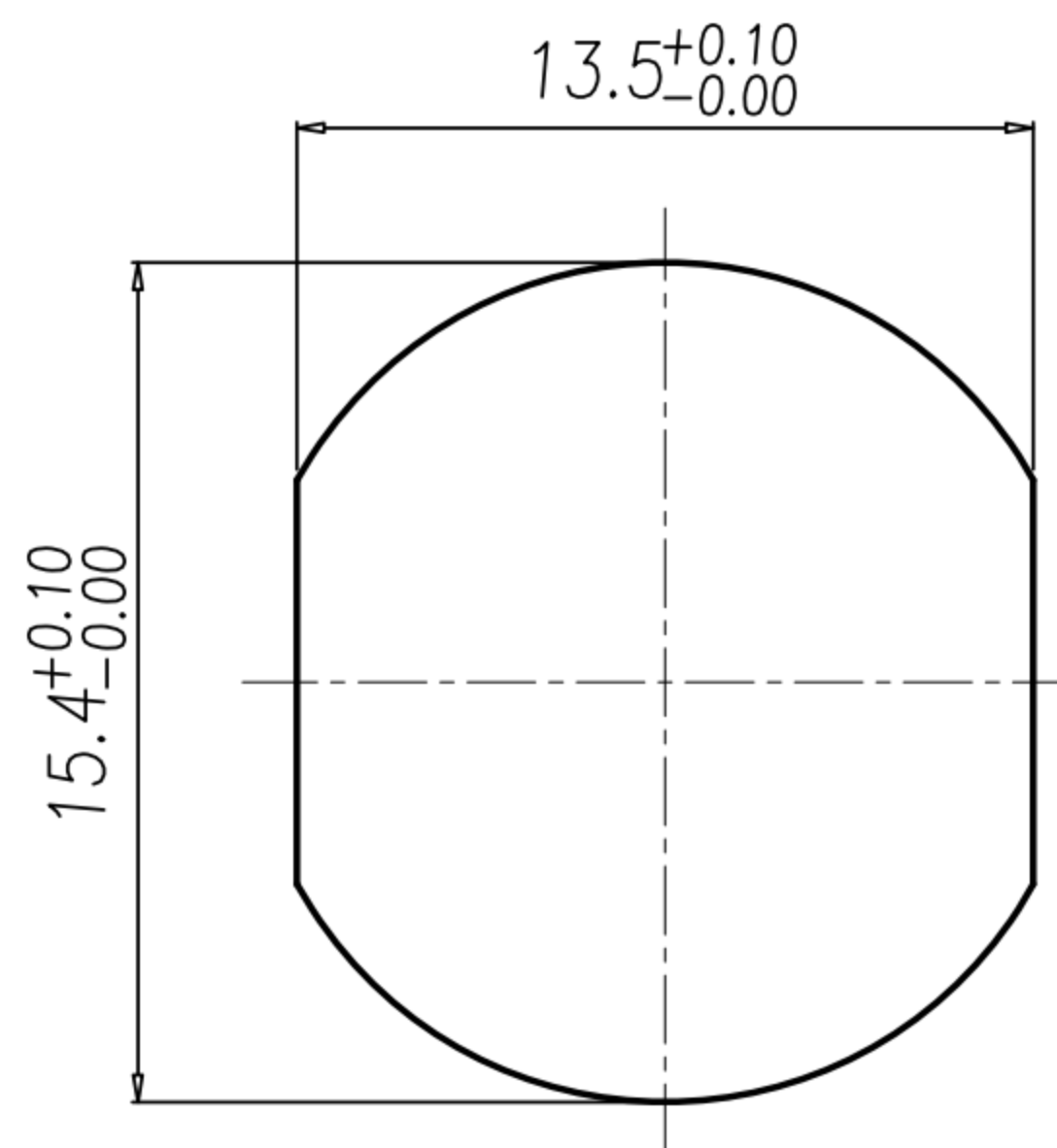
REV.	DESCRIPTION	APPROVED BY	DATE	ECN NO.
A	RELEASE	KU CHOU	05/01/21'	
B				
C				



RECOMMEND P.C.B LAYOUT



NUT



RECOMMEND PANEL CUT-OUT

- MATERIAL :
 - HOUSING : PBT UL94V-0 ; COLOR : BLACK
 - CONTACT : BRASS
 - NUT : BRASS
 - SHELL : BRASS
 - O-RING : EPDM ; COLOR : BLACK
- FINISH :
 - CONTACT : 10 MICRO INCHES MIN. GOLD PLATED
UNDER PLATE : NICKEL
 - NUT : NICKEL PLATED
 - SHELL : NICKEL PLATED
- ELECTRICAL SPECIFICATION :
 - Rated current : 1.5A
 - Rated Voltage : 30V
 - Water proof : IP67
- Environmental :
 - Operation Temperature : -40℃~85℃

DRAWN	EMILY SUEN	APP'D	KU CHOU	UNIT	mm	TOLERANCE			TITLE	防水環 M12 12PIN A-Code (F) 前鎖 PG9 插片式(帶接地)			SHEET	1
CHK'D	KU CHOU			SCALE	1:1	ANGULA			±1°	PART NO.	WP-12F3-01-11	DWG NO.	QC9988	

广东科斯达电子科技有限公司
GUANG DONG KE SI DA ELECTRONIC TECHNOLOGY CO., LTD.