

CUSTOMER DRAWING

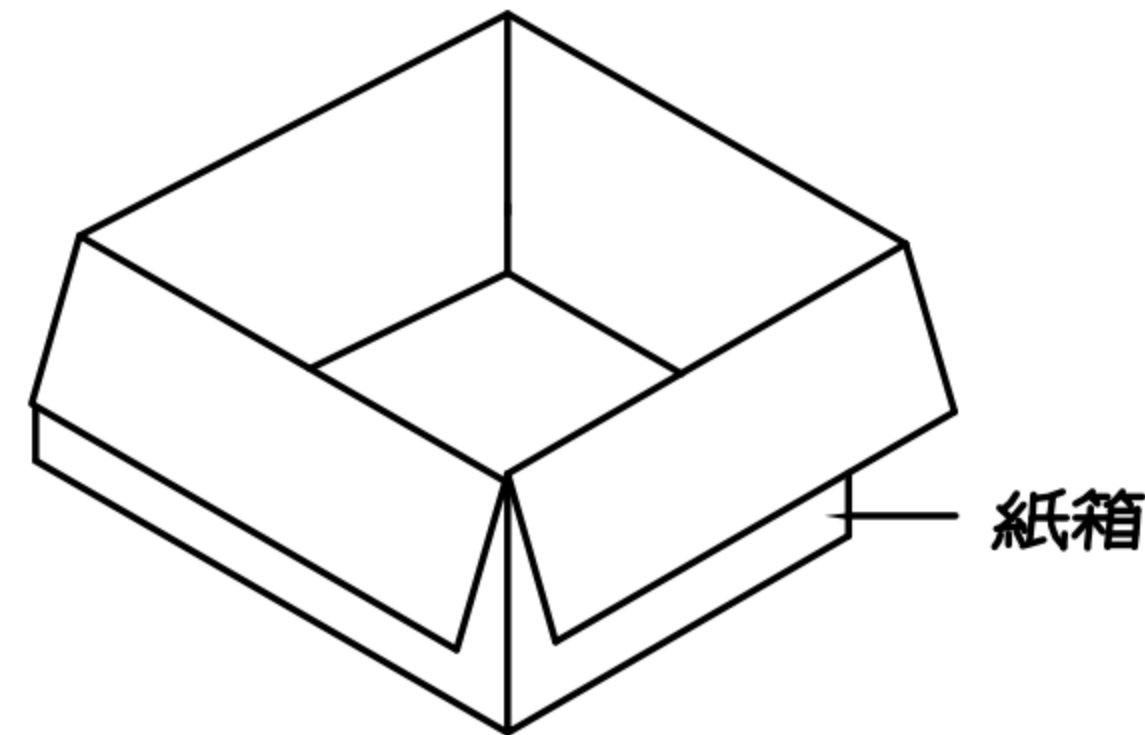
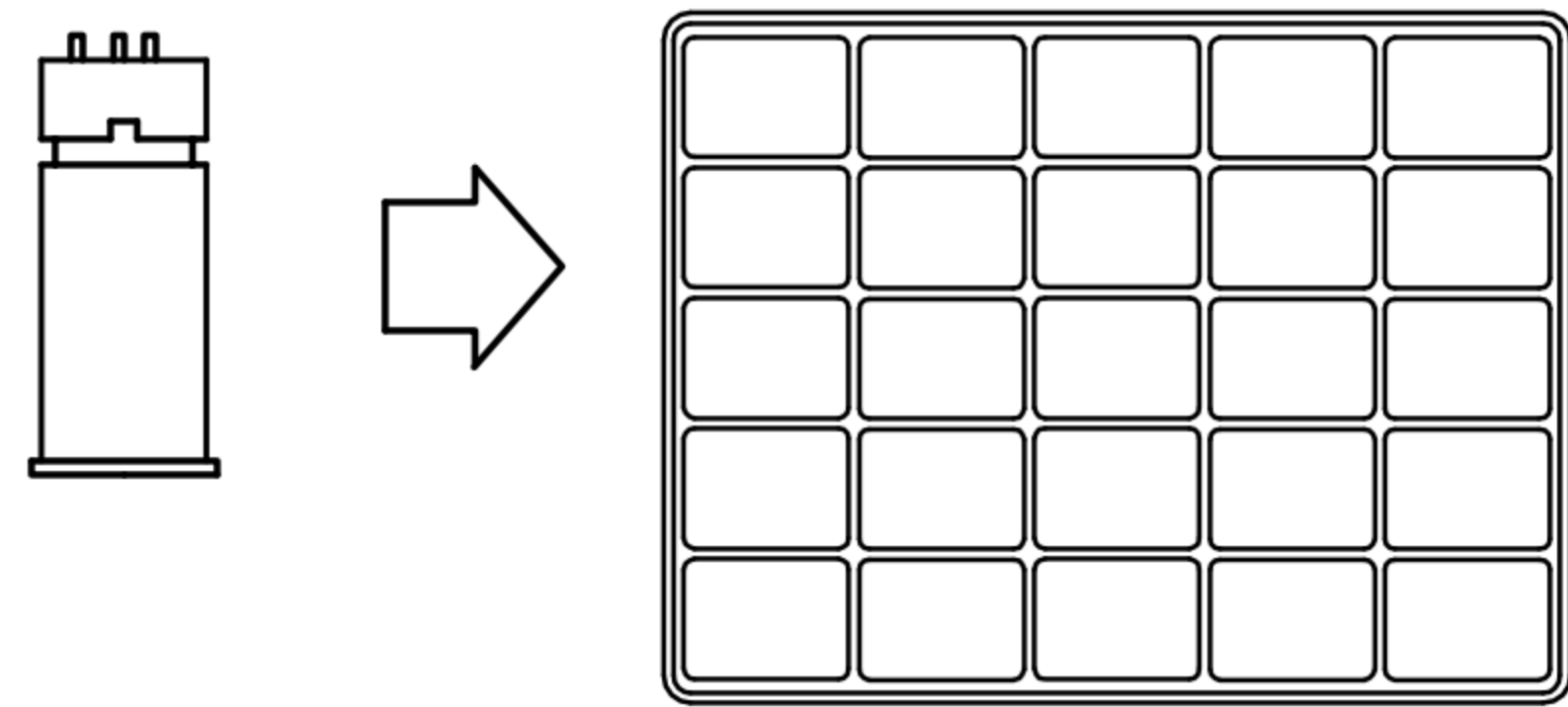
REV.	DESCRIPTION	APPVL. BY	DATE	ECN NO.
C	ADD TABLE A	Fido Weng	31/12/08'	
D	Add New Color Housing and Part No.	Fido Weng	11/15/12'	
E	Add Part No.	Ku Chou	10/02/20'	

包裝方式

1. 將半成品一一放入包裝盤內。
2. 包裝方式, 如圖所示。
3. 1格各裝4PCS, 一個包裝盤1000PCS
4. 裝滿盤後堆層至10盤止, 最上層為空盤做蓋子(共11盤)
5. 層疊11盤後, 在以膠膜固定, 一箱數量為1000PCS
6. 螺母另外裝入塑膠袋中後封口, 一袋為500PCS, 一箱2袋
7. 將包裝盤和螺母放紙入箱後以膠帶封箱。
8. 將標籤貼於紙箱上。

NOTE:

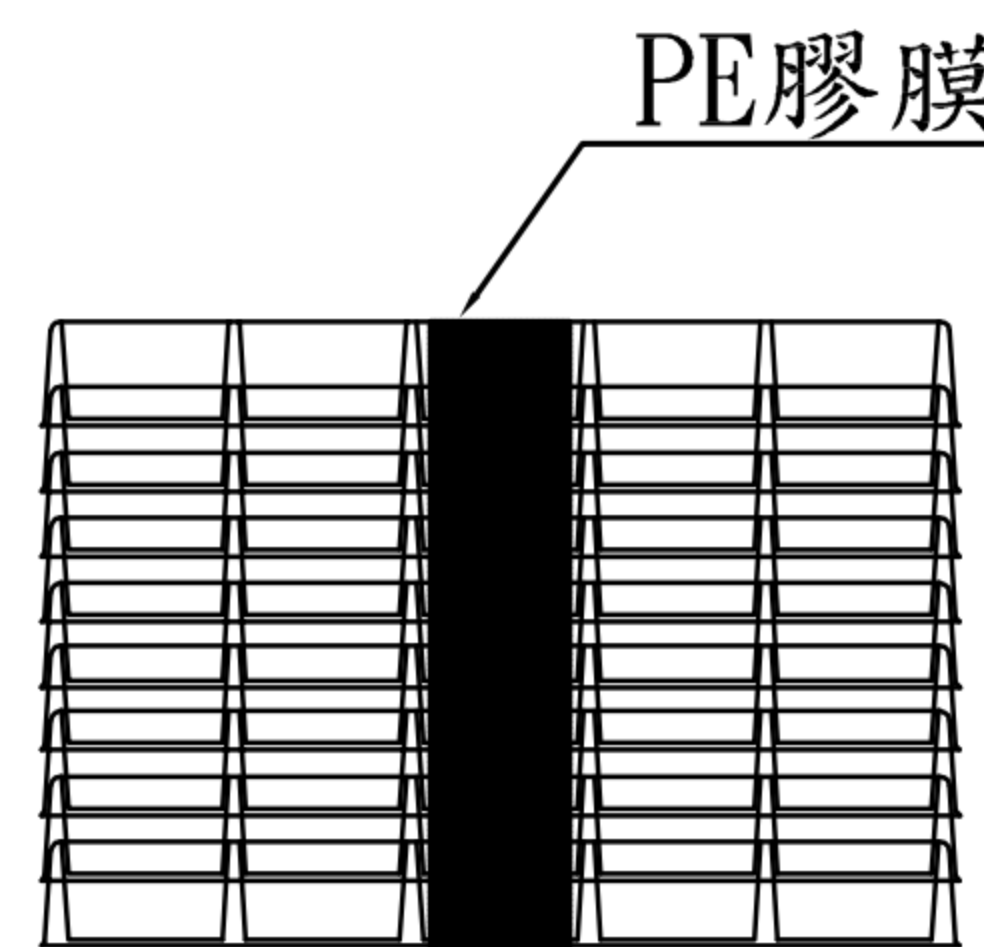
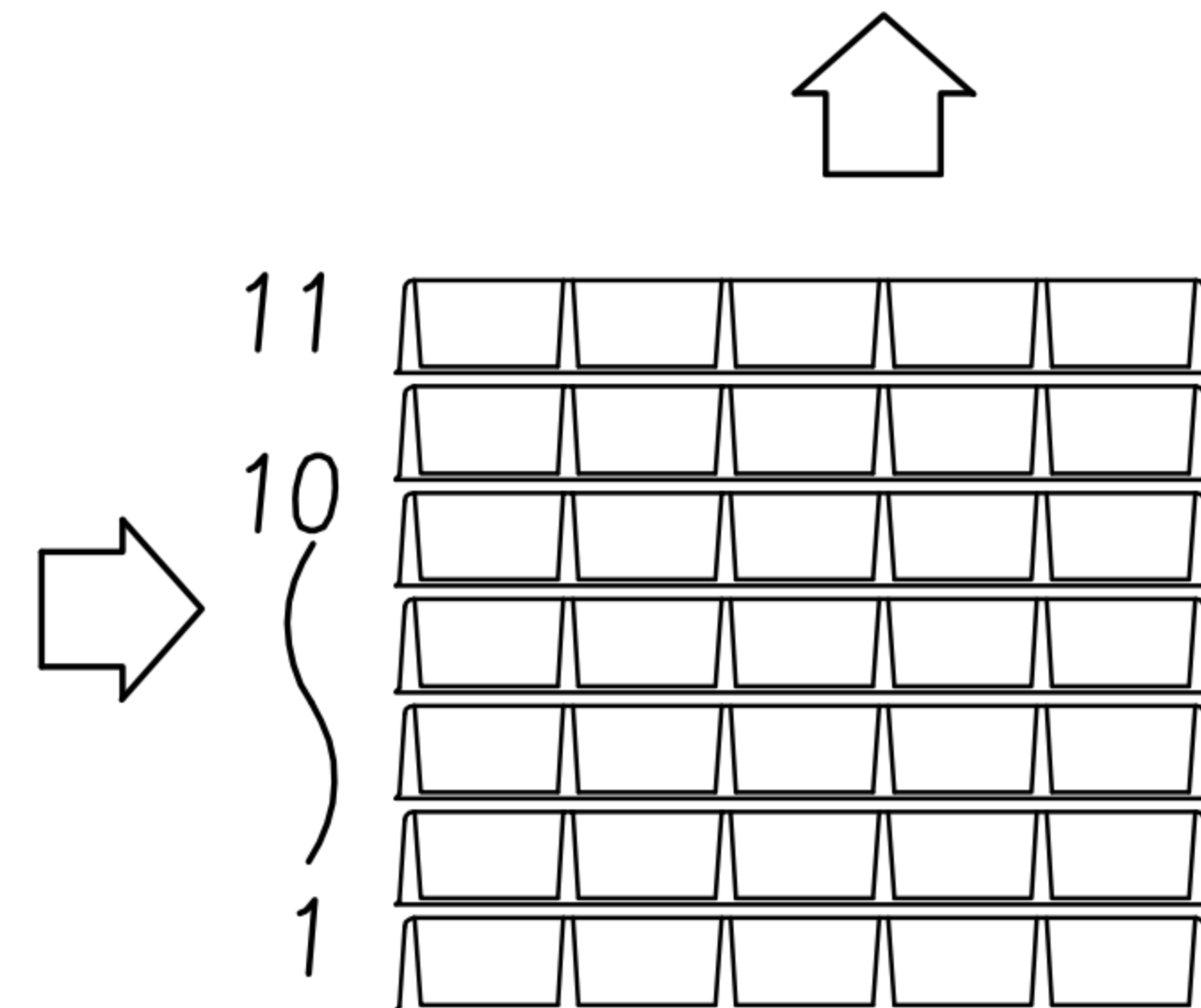
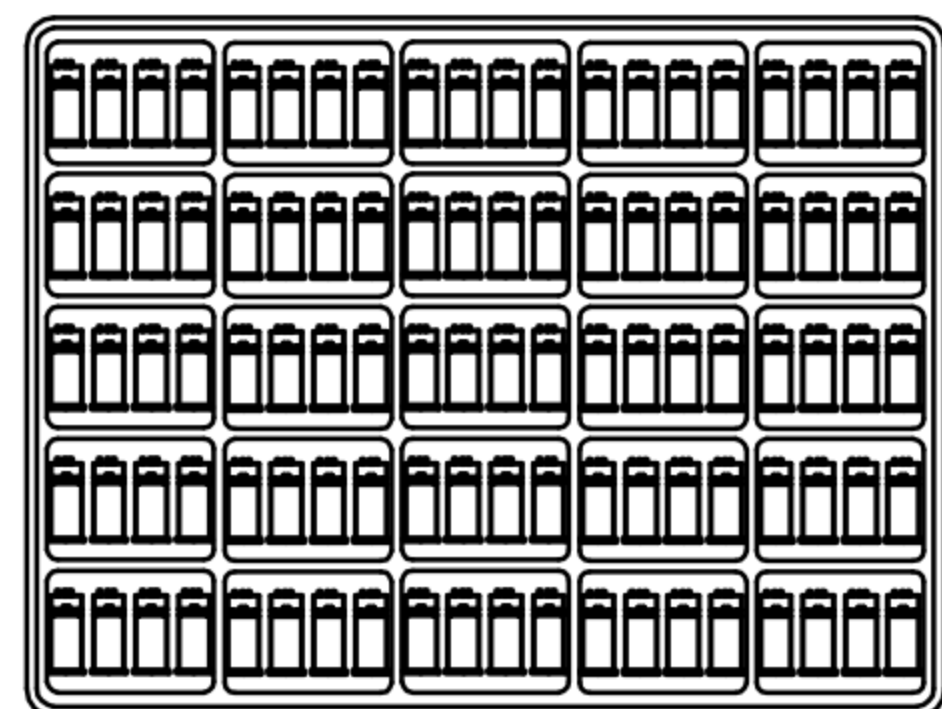
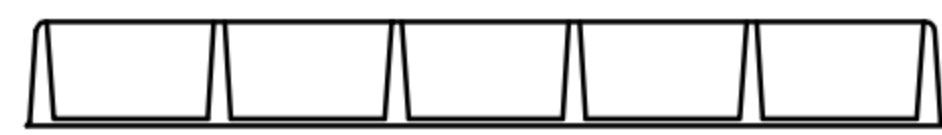
1. 若有未裝滿之零數箱, 必須以緩衝材塞滿。
2. 在搬運過程中要輕拿輕放。
3. 載運輸中不可堆放過多, 不可有重壓現象。
4. PE膠膜纏繞時不可緊綁。



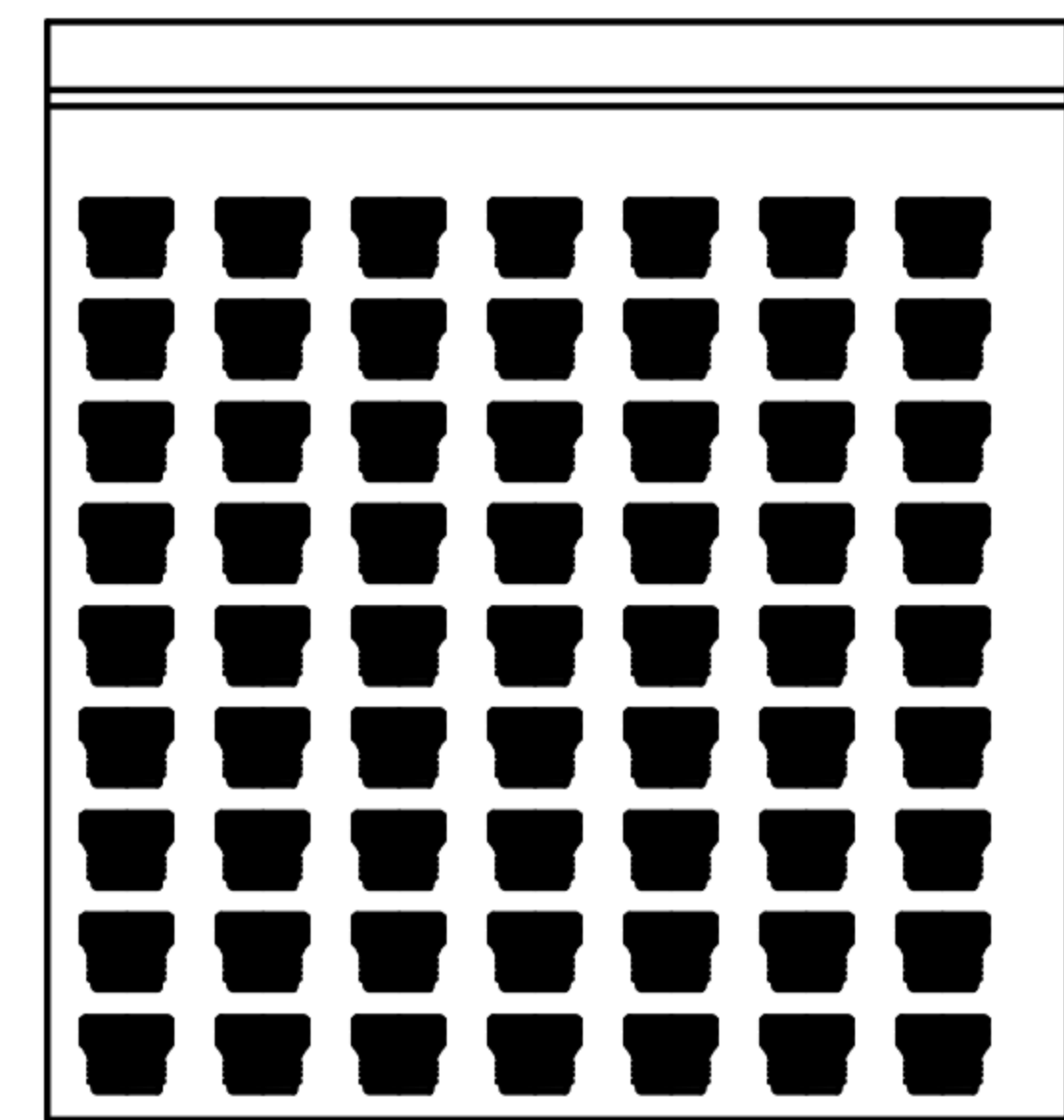
標籤處

ITEM NO:  
 QTY:           PGS  
 N. W. :        KG  
 G. W. :        KG  
 MEAS:

C/N.O. :



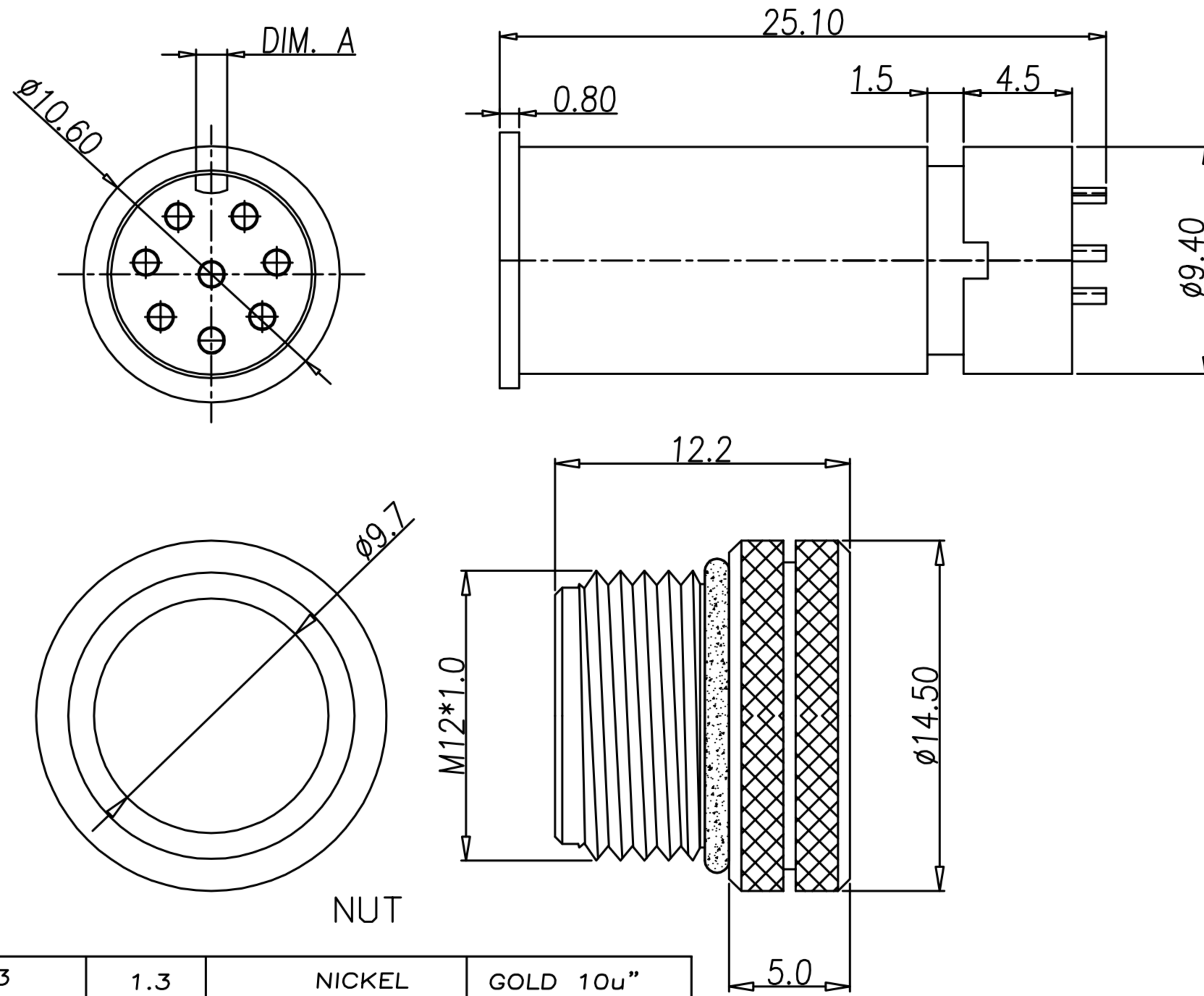
500PCS X 2



DRAWN	Emily Suen	APP'D	Ku Chou	UNIT	mm	TOLERANCE			TITLE	防水頭 M12 (M) A-CODE 線端焊線式 包裝圖			SHEET	2
CHK'D	Emily Suen			SCALE	1:1	.x ±0.20 .xx ±0.10 .xxx ±0.05 .xxxx ±0.03 ANGULA ±1°			PART NO.	SEE TABLE A	DWG NO.	QC3050	VERSION	E

# CUSTOMER DRAWING

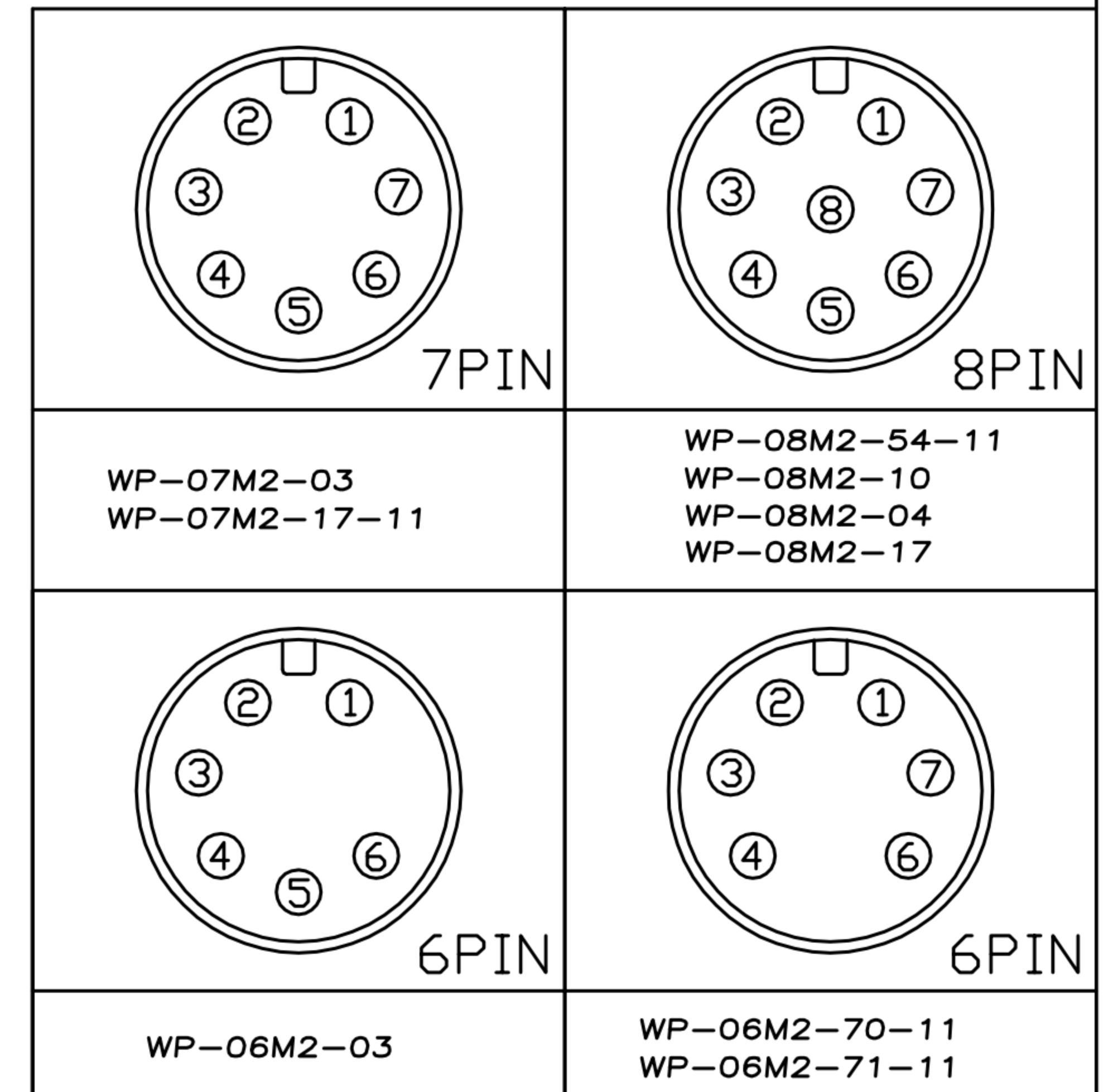
REV.	DESCRIPTION	APPVL. BY	DATE	ECN NO.
△C	ADD TABLE A	Fido Weng	31/12/08'	ECN-08023
△D	Add New Color Housing and Part No.	Fido Weng	11/15/12'	
△E	Add Part No.	Ku Chou	10/02/20'	



- MATERIAL :
  - HOUSING : PBT UL94V-0 ; COLOR : BLACK
  - CONTACT : BRASS
  - NUT : BRASS
  - O-RING : EPDM ; COLOR : BLACK
- FINISH :
  - CONTACT : SEE TABLE A  
UNDER PLATE : NICKEL
  - NUT : SEE TABLE A
- ELECTRICAL SPECIFICATION :
  - Rated current : 2A
  - Rated voltage : 30V
  - Water proof : IP67/68
- Environmental :
  - Operation Temperature : -40℃~85℃

TABLE A

P/N	DIM. A	NUT	CONTACT
WP-06M2-03	1.3	NICKEL	GOLD 10u"
WP-08M2-54-11	1.3	NICKEL	GOLD FLASH
WP-08M2-10	1.3	BLACK NICKEL	GOLD 10u"
WP-08M2-04	1.3	NICKEL	GOLD 10u"
WP-08M2-17	1.1	NICKEL	GOLD 10u"
WP-07M2-03	1.3	NICKEL	GOLD 10u"
WP-07M2-17-11	1.1	NICKEL	GOLD 10u"
WP-06M2-70-11	1.3	NICKEL	GOLD 10u"
WP-06M2-71-11	1.1	NICKEL	GOLD 10u"



DRAWN	Emily Suen	APP'D	Ku Chou	UNIT	mm	TOLERANCE				TITLE	防水頭 8 PIN (M)			SHEET	1/2
CHK'D	Ku Chou			SCALE	1:1					PART NO.	SEE TABLE A	DWG NO.	QC3050	VERSION	E