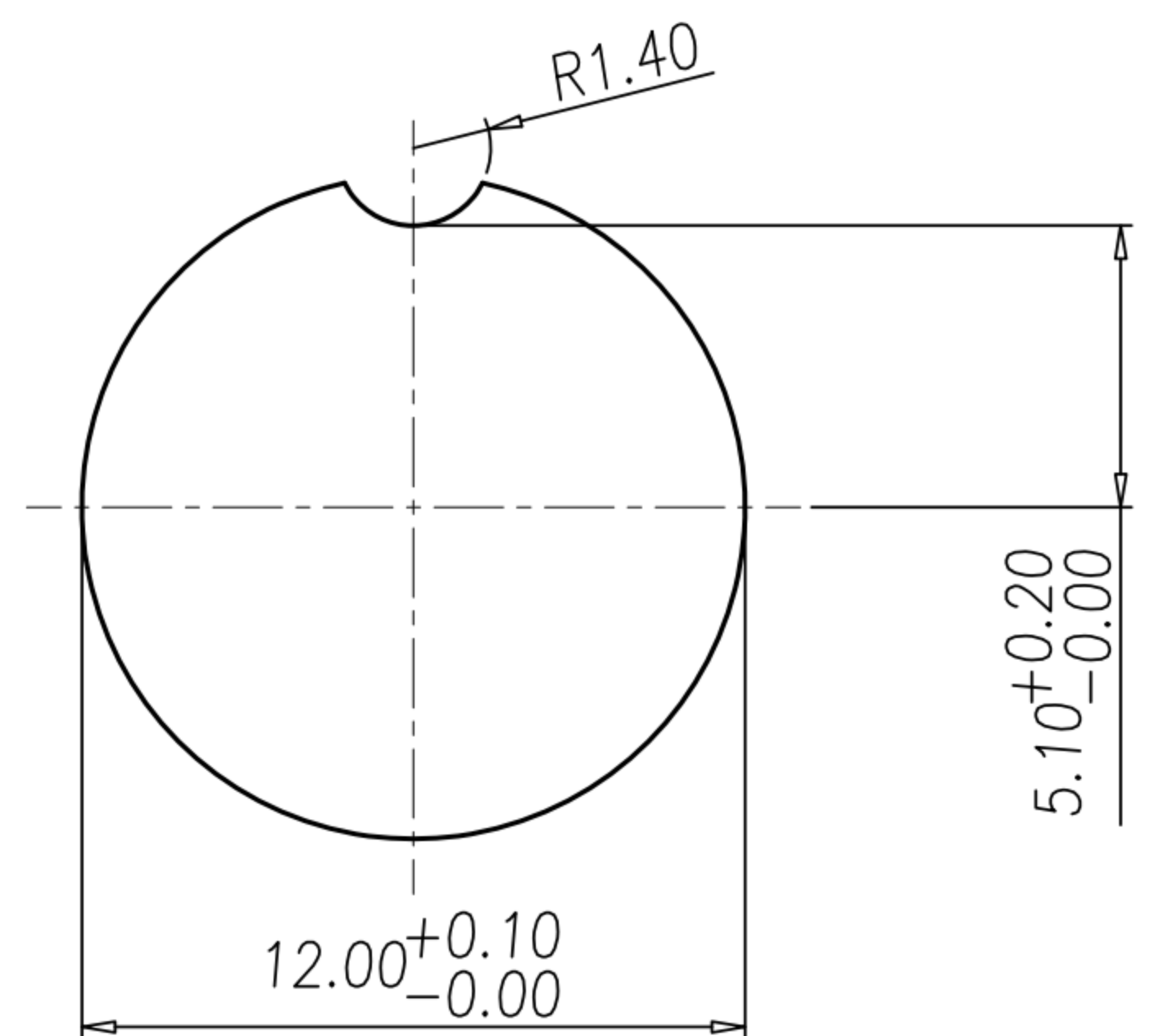
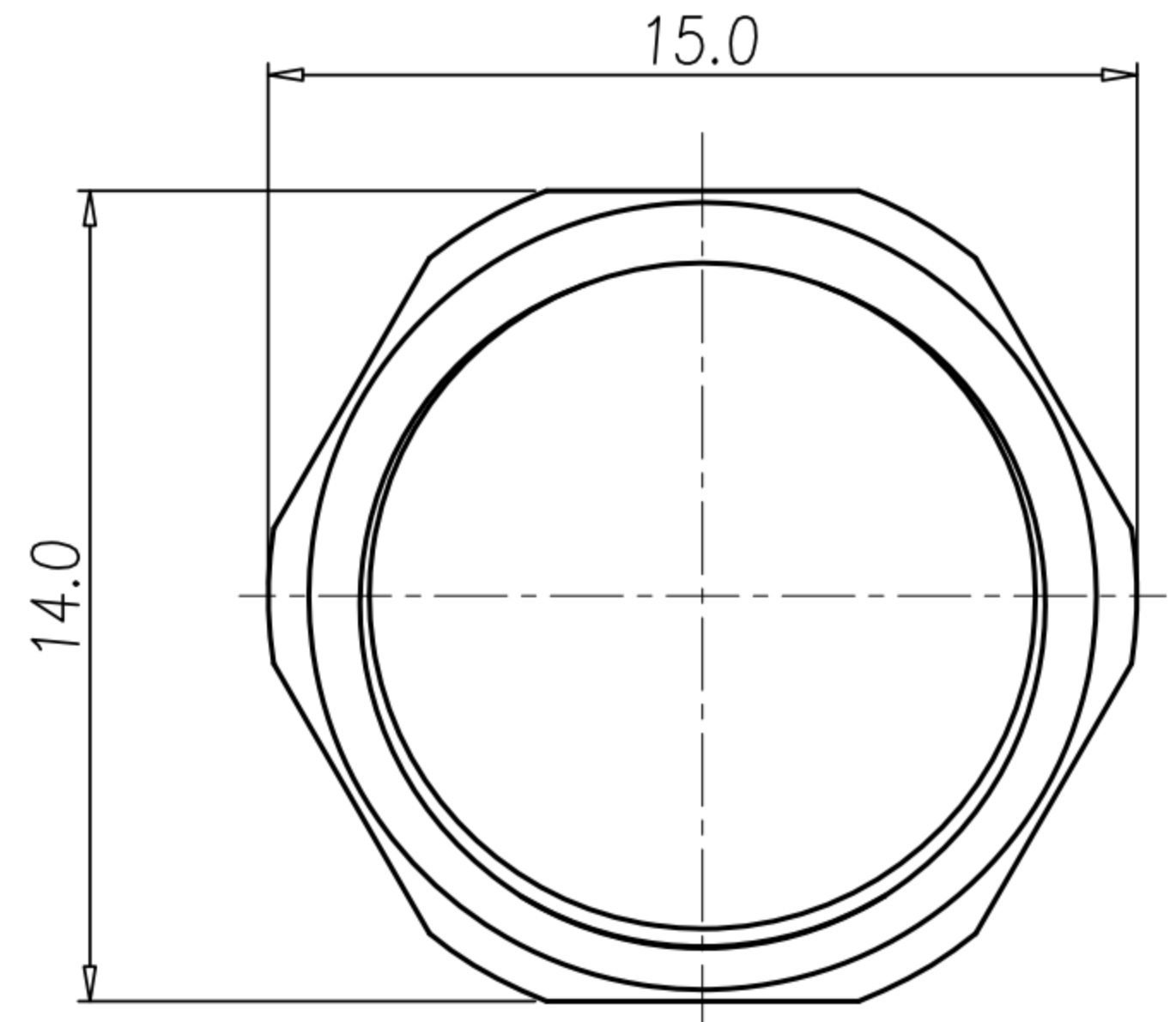
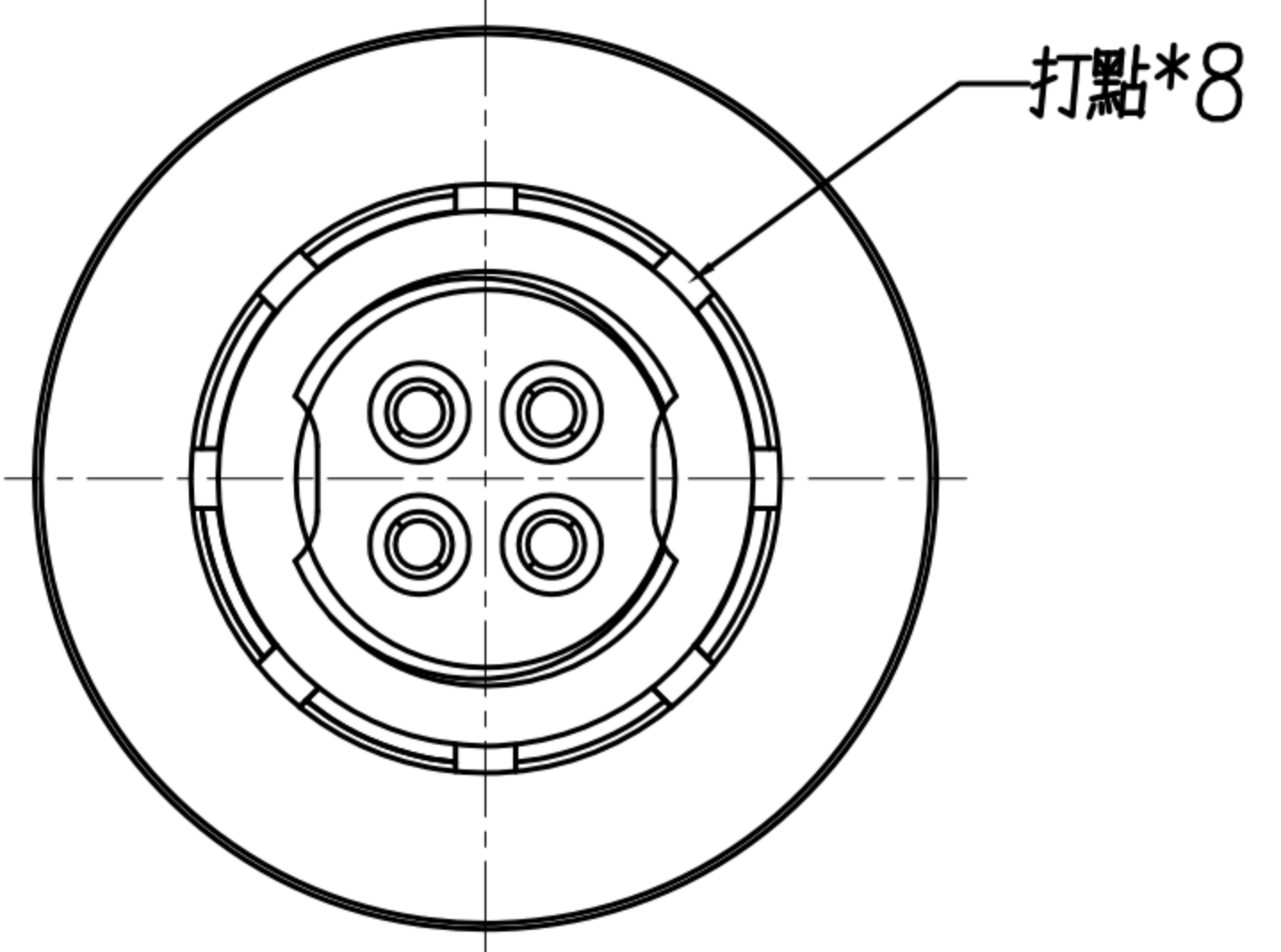
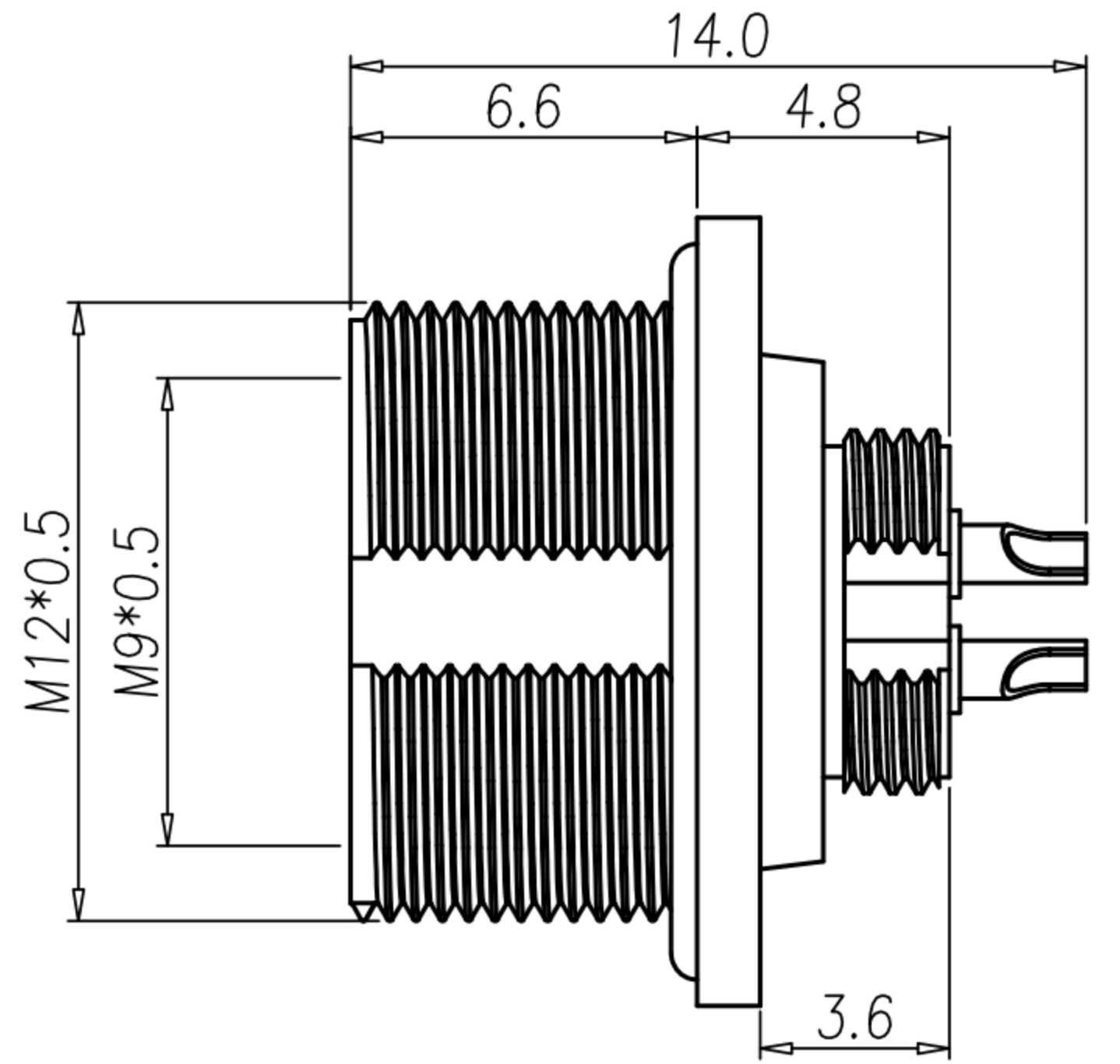
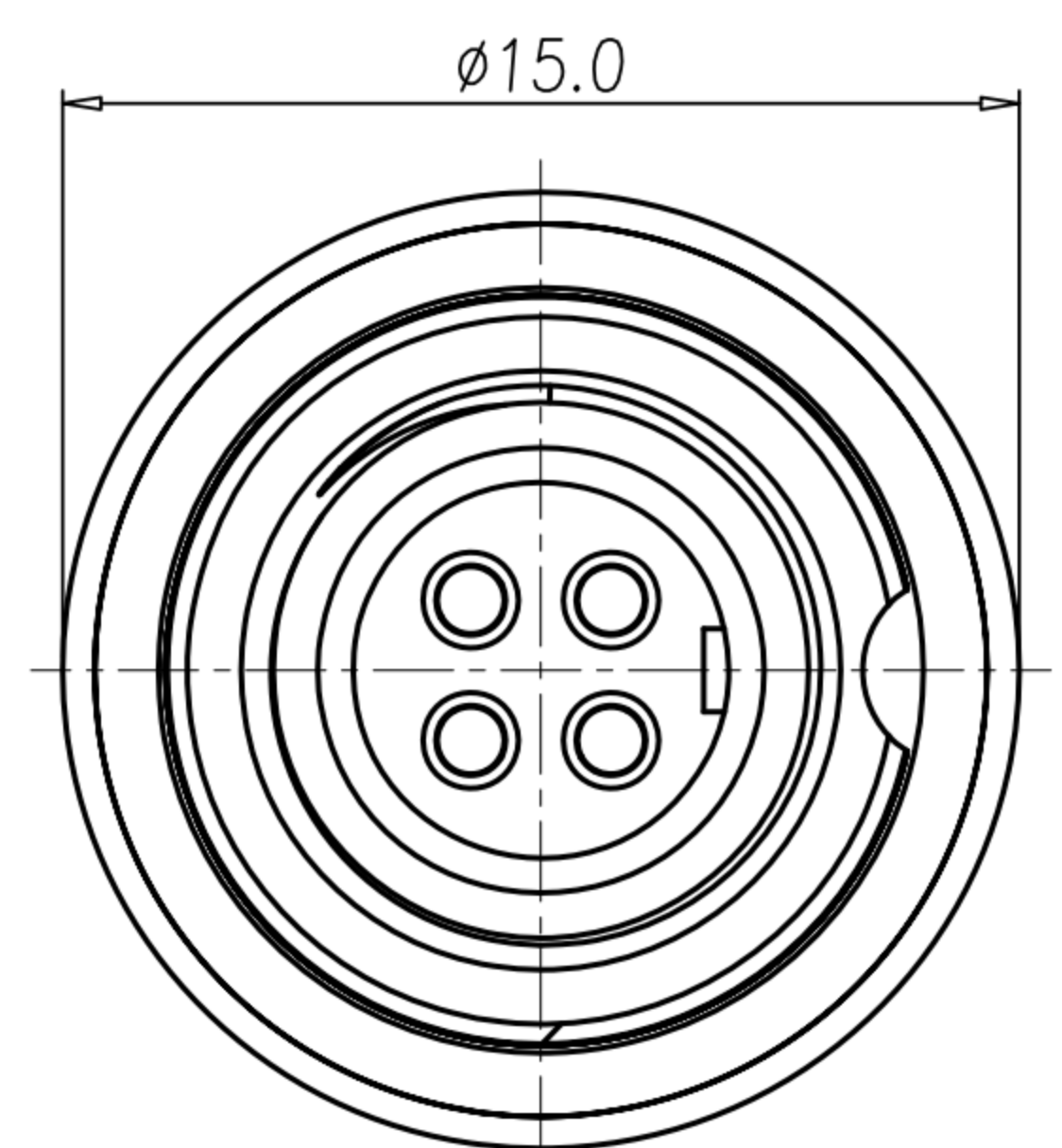


REV.	DESCRIPTION	APPVL. BY	DATE	ECN NO.	
A	RELEASE	LED	14/05/21'		
B					
C					

CUSTOMER DRAWING



- MATERIAL :
 - 1-1. HOUSING : PA UL94V-0 ; COLOR : BLACK
 - 1-2. CONTACT : BRASS.
 - 1-3. SHELL : BRASS.
 - 1-4. O-RING A : SILICONE ; COLOR : BLACK.
 - 1-5. O-RING B : EPDM ; COLOR : BLACK.
 - 1-6. NUT : BRASS
- FINISH :
 - 2-1. CONTACT : GOLD FLASH
 - 2-2. SHELL : NICKEL PLTAEED.
 - 2-3. NUT : NICKEL PLTAEED.
- ELECTRICAL SPECIFICATION :
 - 3-1. Rated current(40°C) : 2~3P 4A; 4~5P 3A; 7~8P 1A
 - 3-2. Rated Voltage : 125V
 - 3-3. Water proof : IP67
- Environmental :
 - 4-1. Operation Temperature : -40°C~85°C

NUT

RECOMMEND PANEL CUT-OUT

WP-02F2-100-11	WP-03F2-169-11	WP-04F2-279-11	WP-05F2-212-11	WP-07F2-21-11	WP-08F2-132-11

DRAWN	LED	APP'D	Ku Chou	UNIT	mm	TOLERANCE			TITLE	WP M9 (F) M12 驗 測試			SHEET
CHK'D	Ku Chou			SCALE	1:1	ANGULA			±1°	PART NO.	SEE TABLE A	DWG NO.	QC10196

广东科斯达电子科技有限公司
GUANG DONG KE SI DA ELECTRONIC TECHNOLOGY CO., LTD.