

# CUSTOMER DRAWING

REV.	DESCRIPTION	APPROVED BY	DATE	ECN NO.
△	RELEASE	Fido Weng	18/01/24"	
△				
△				

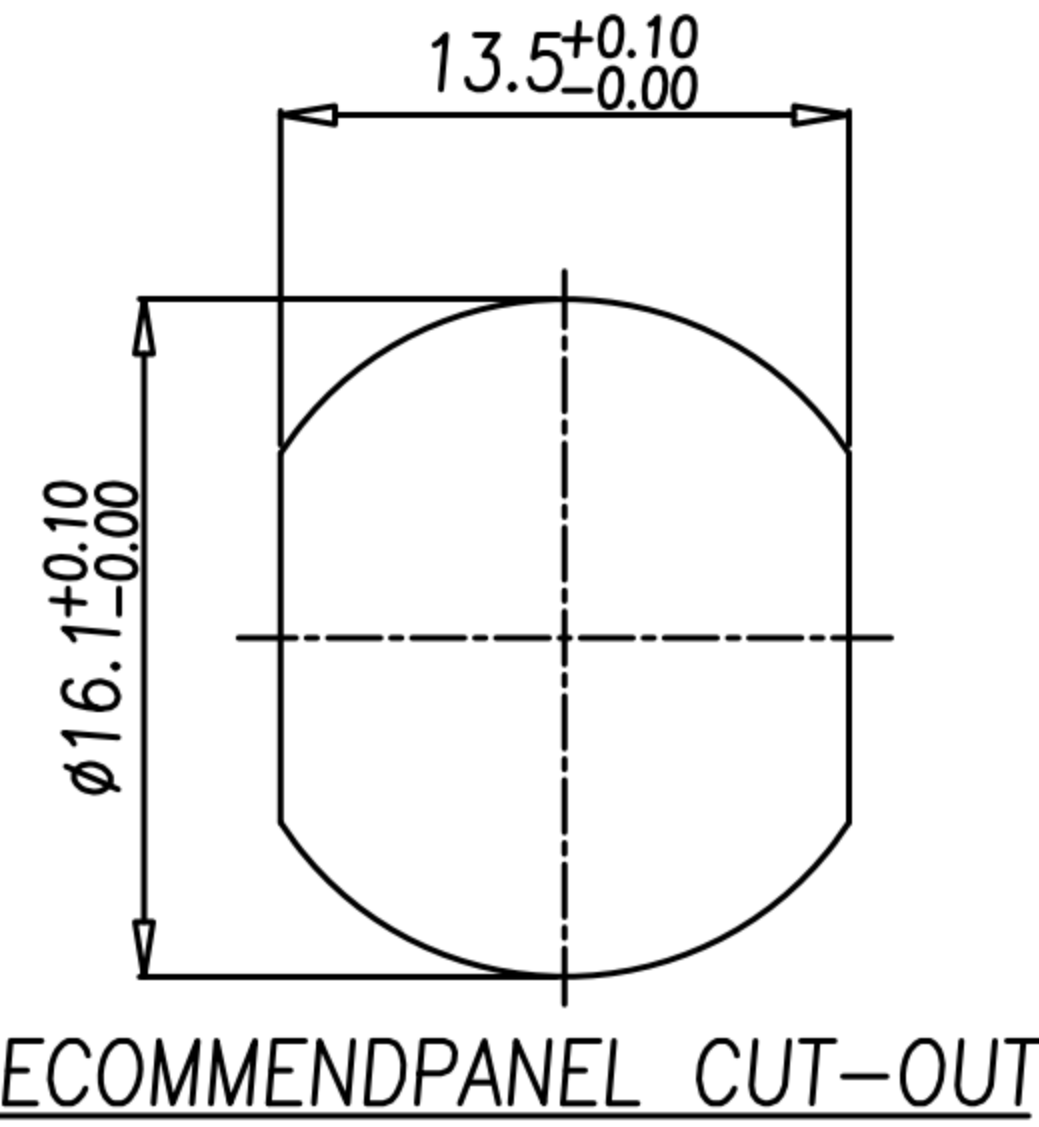
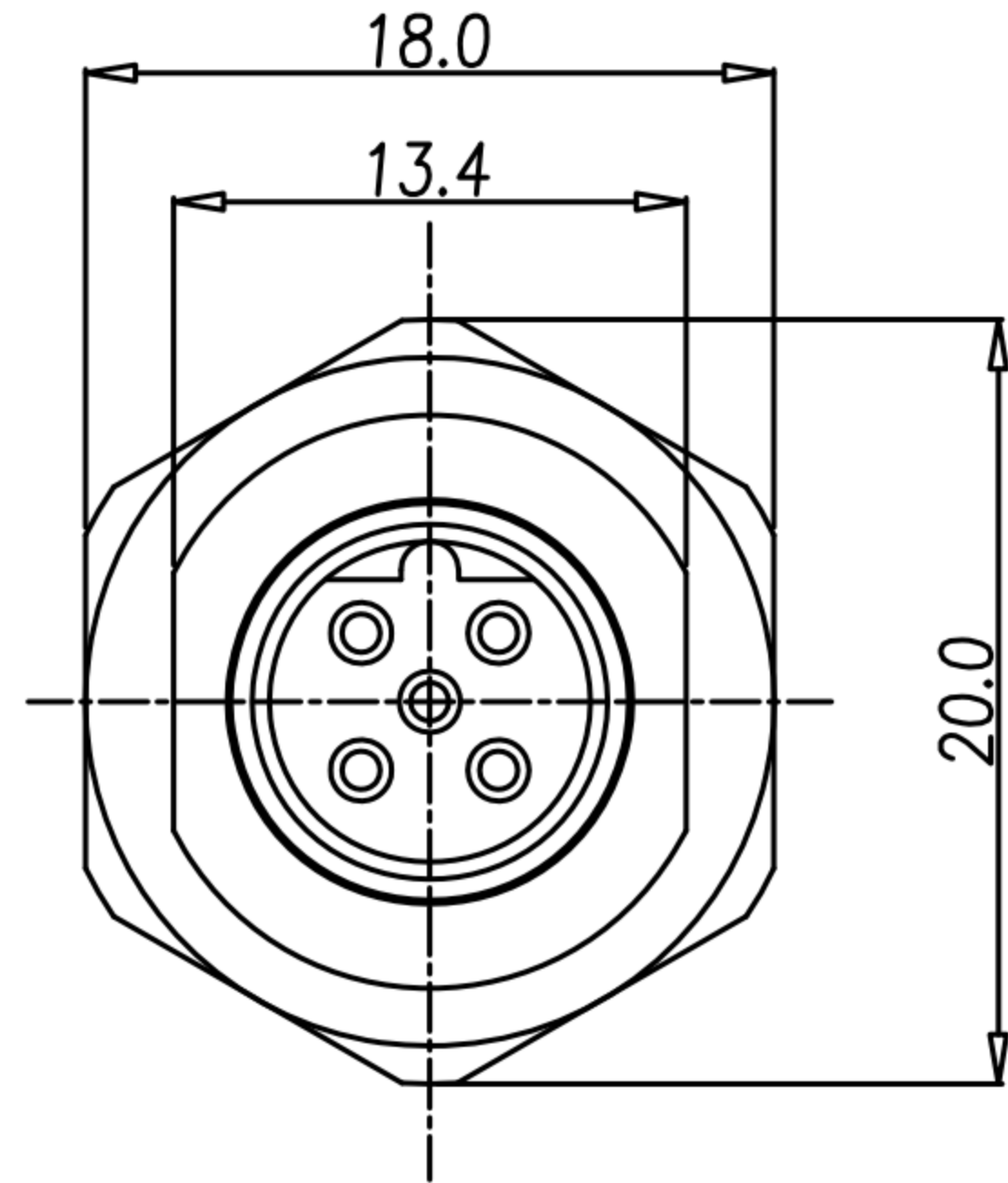
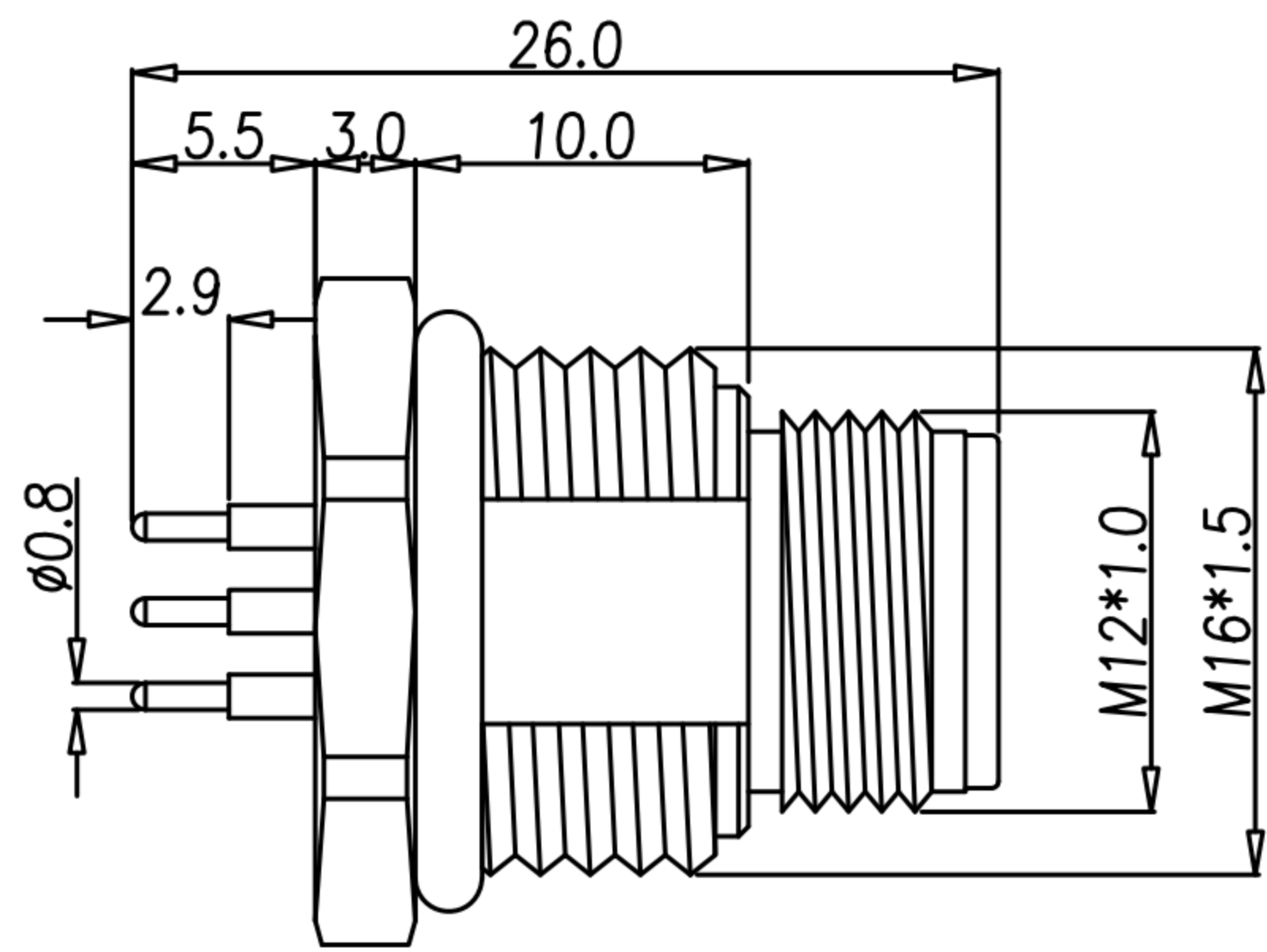
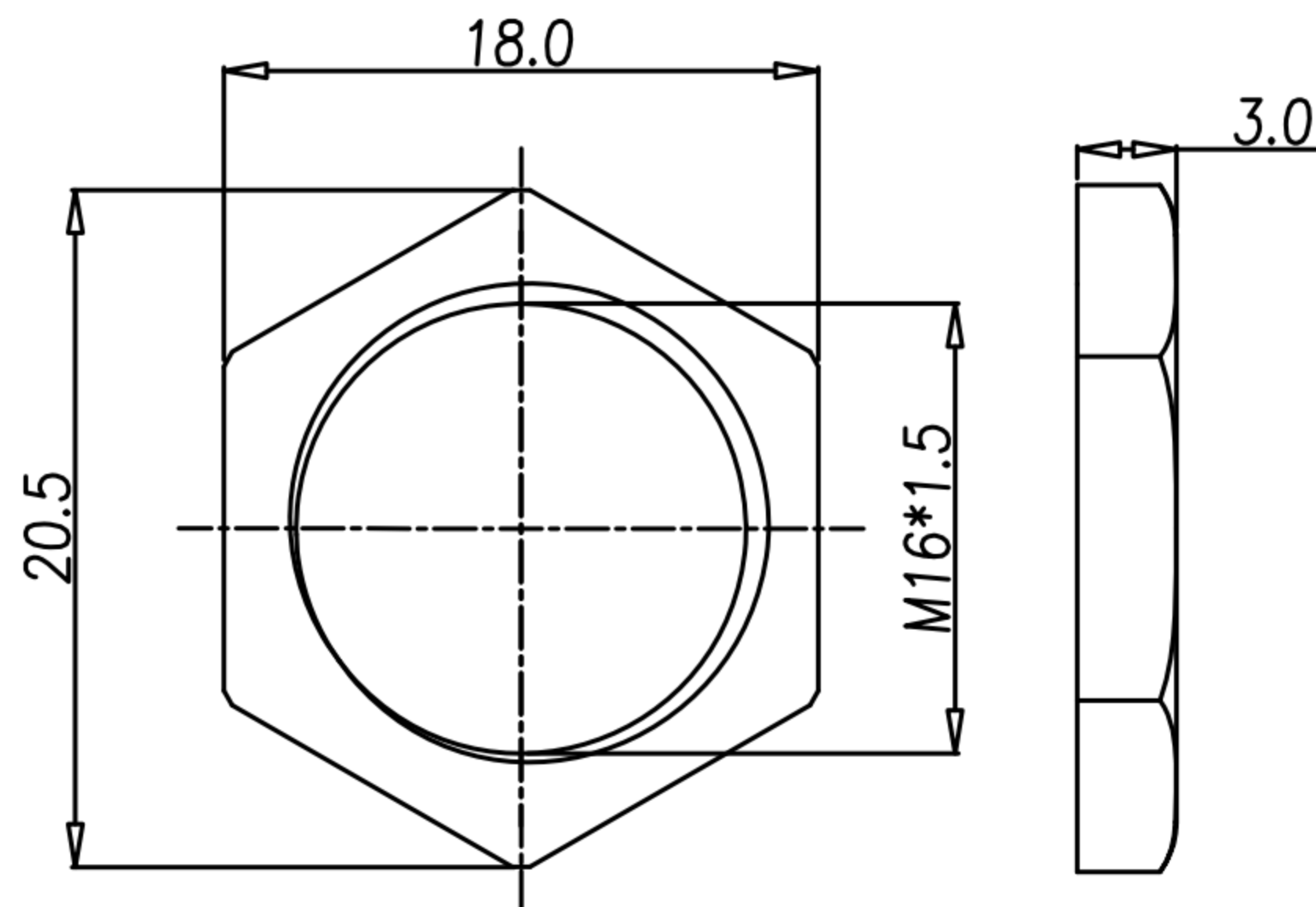
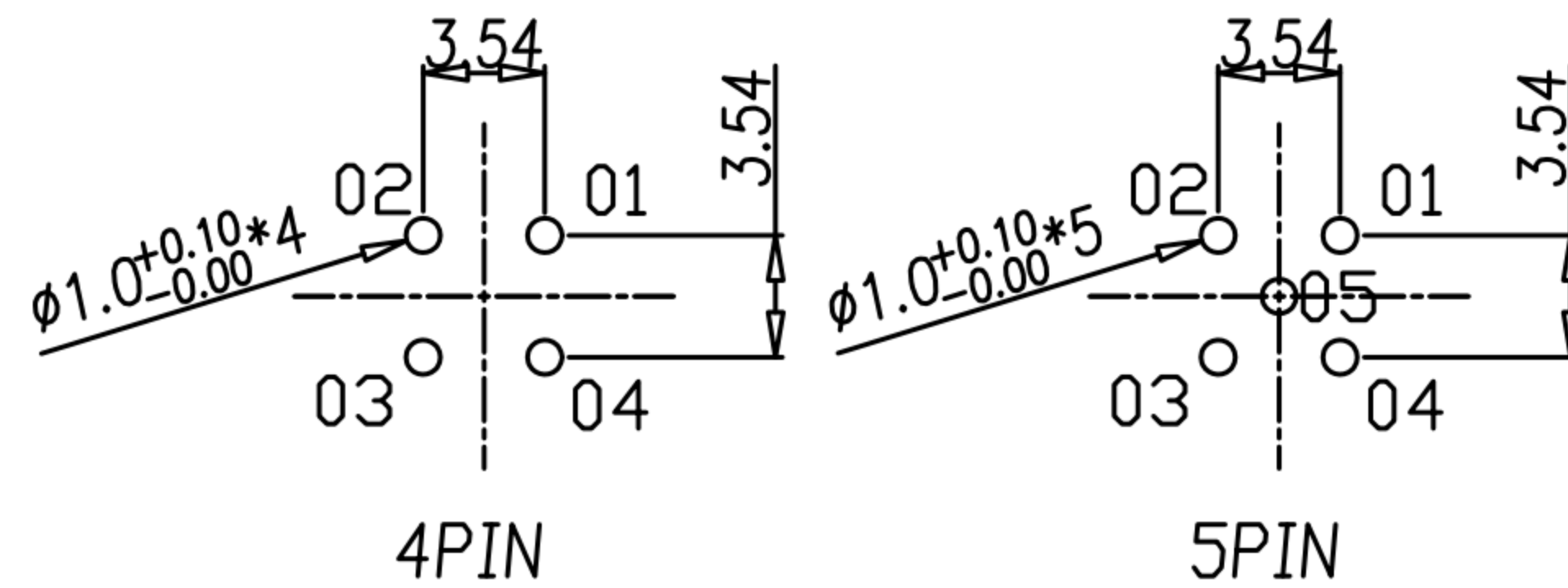


TABLE A

<p>5PIN</p>	<p>4PIN</p>
WP-05M3-30-11	WP-04M3-26-11



NUT



RECOMMEND P.C.B LAYOUT

- MATERIAL :
  - 1-1. HOUSING : PBT UL94V-0 ; COLOR : BLACK
  - 1-2. CONTACT : BRASS
  - 1-3. NUT : BRASS
  - 1-4. SHELL : BRASS
  - 1-5. O-RING : EPDM
- FINISH :
  - 2-1. CONTACT : GOLD FLASH PLATED
  - 2-2. NUT : NICKEL PLATED
  - 2-3. SHELL : NICKEL PLATED
- ELECTRICAL SPECIFICATION :
  - 3-1. Rated current : 4A
  - 3-2. Rated voltage : 4PIN 250V ; 5PIN 60V
  - 3-3. Water proof: IP67
- Environmental :
  - 4-1. Operation Temperature : -40℃~85℃

DRAWN	Mark Kao	APPEND	Fido Weng	UNIT	mm	TOLERANCE		广东科斯达电子科技有限公司 GUANG DONG KE SI DA ELECTRONIC TECHNOLOGY CO., LTD.	TITLE	防水頭 M12 B-CODED (M) 前鎖M16*1.5插件式			SHEET	1
CHKED	Emily Suen			SCALE	1:1	.x ±0.20 .xx ±0.10 .xxx ±0.05 .xxxx ±0.03 ANGULA ±1°			PART NO.	SEE TABLE A	DWG NO.	QC11076	VERSION	A