

CUSTOMER DRAWING

REV.	DESCRIPTION	APPROVED BY	DATE	ECN NO.
△A	RELEASE	Fido Weng	27/10/14*	
△B				
△C				

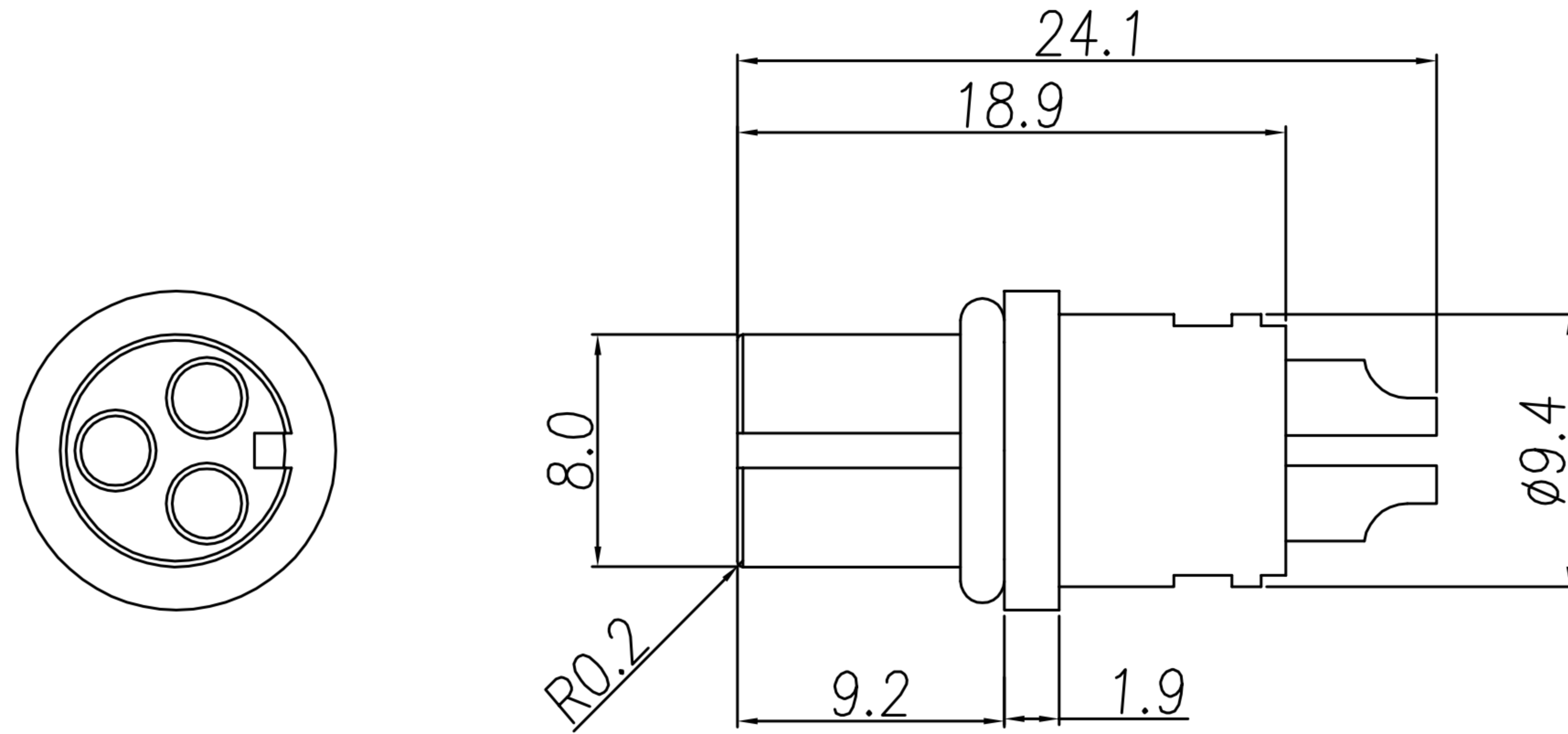
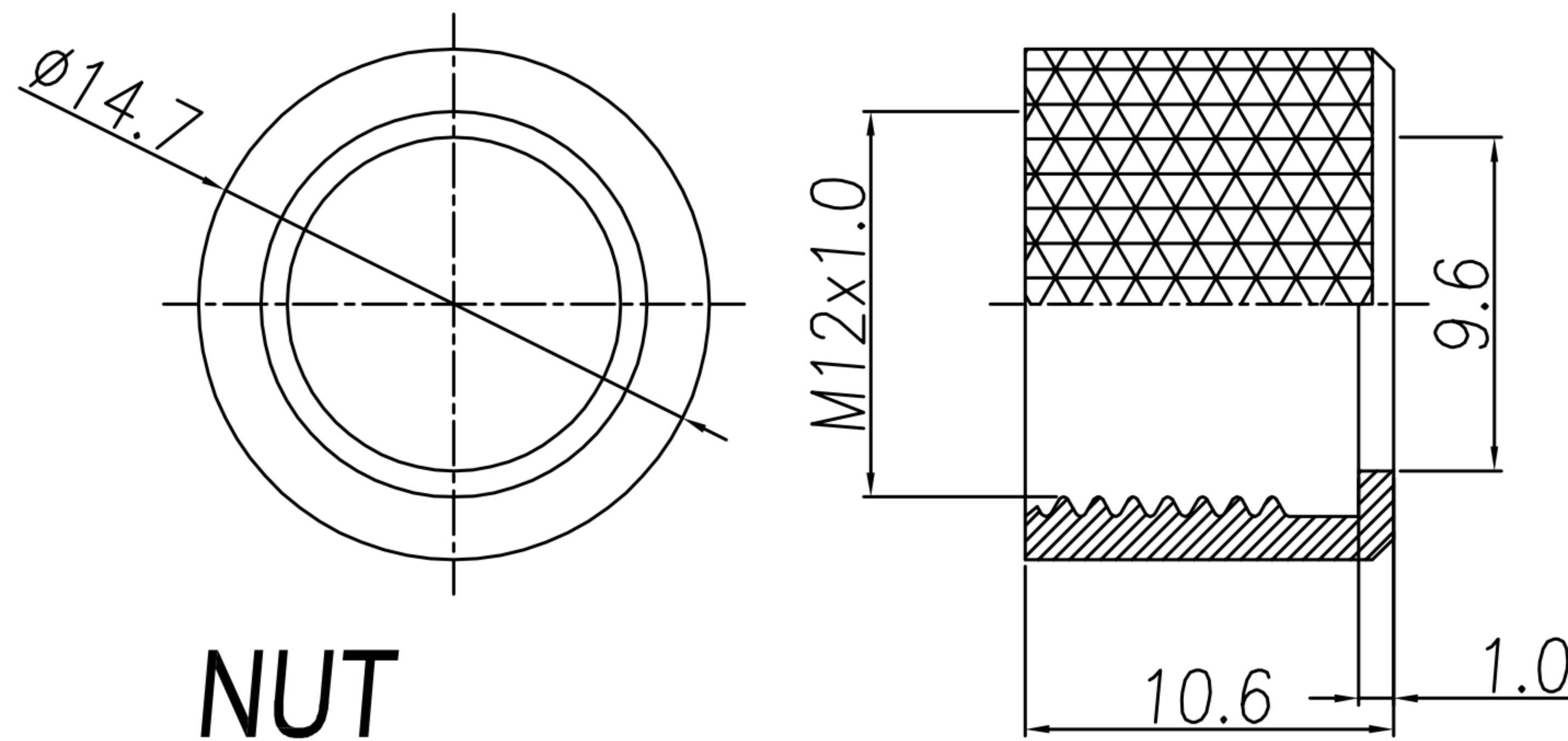


TABLE A

WP-03F2-47-11	WP-02F2-30-11



NUT

- MATERIAL :
 - HOUSING : PBT UL94V-0 ; COLOR : BLACK
 - CONTACT : BRASS
 - NUT : BRASS
 - O-RING : EPDM; COLOR : BLACK
- FINISH :
 - CONTACT : GOLD PLATED
UNDER PLATE : NICKEL
 - NUT : NICKEL PLATED
- ELECTRICAL SPECIFICATION :
 - Rated current : 15A
 - Voltage : 250V
 - Water proof: IPX7
- Environmental :
 - Operation Temperature : -40℃~85℃

DRAWN	Ku Chou	APP'D	Fido Weng	UNIT	mm	TOLERANCE		广东科斯达电子科技有限公司 GUANG DONG KE SI DA ELECTRONIC TECHNOLOGY CO., LTD.	TITLE	防水头 M12 (F) 成形端(φ2.0)			SHEET
CHK'D	Emily Suen			SCALE	1:1	.x ±0.20 .xx ±0.10 .xxx ±0.05 .xxxx ±0.03 ANGULA ±1°			PART NO.	SEE TABLE A	DWG NO.	QC6903	VERSION