

CUSTOMER DRAWING

REV.	DESCRIPTION	APPROVED BY	DATE	ECN NO.
A	RELEASE	Fido Weng	11/28/14*	
B				
C				

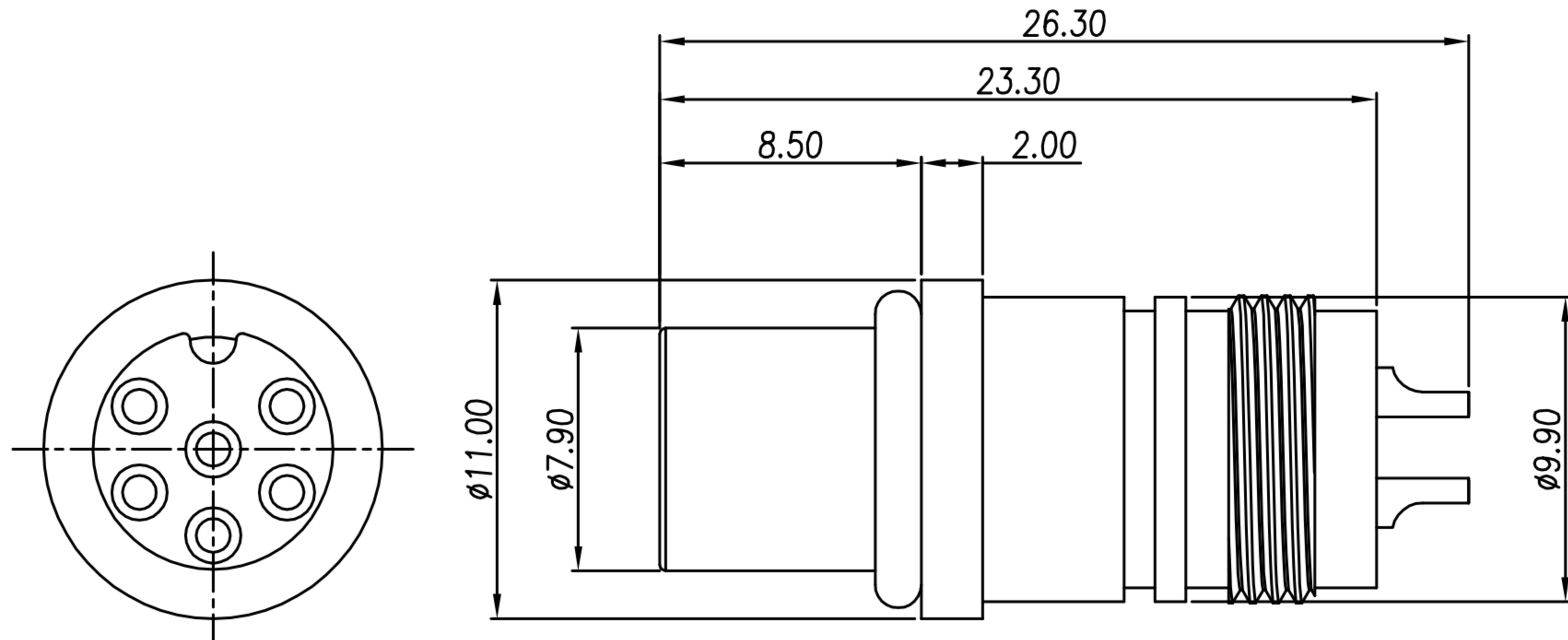
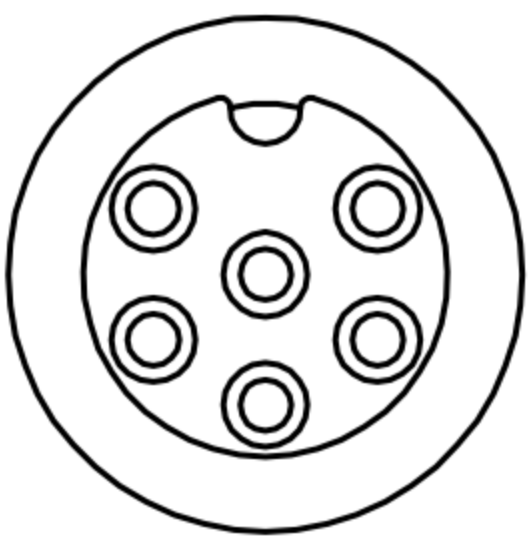
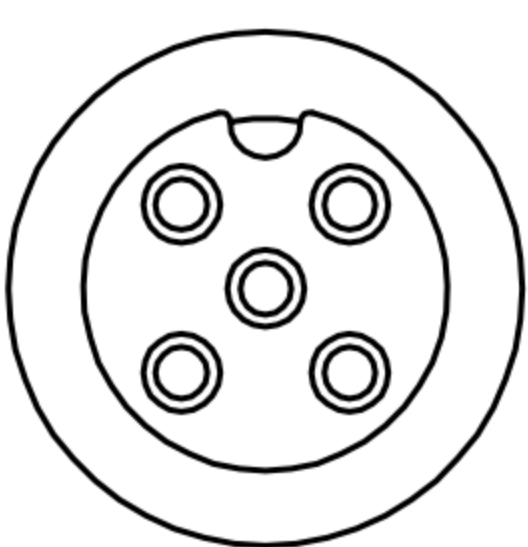
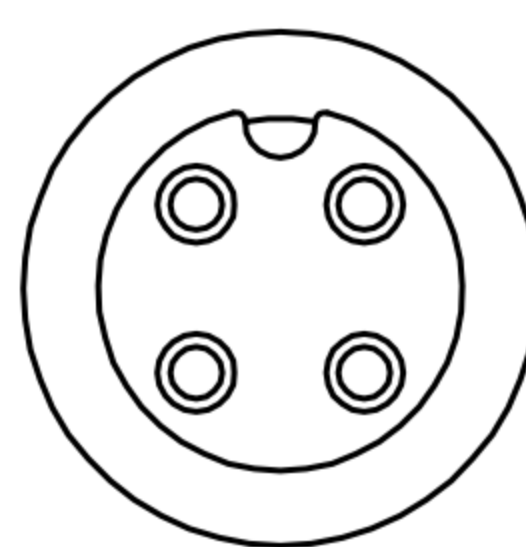
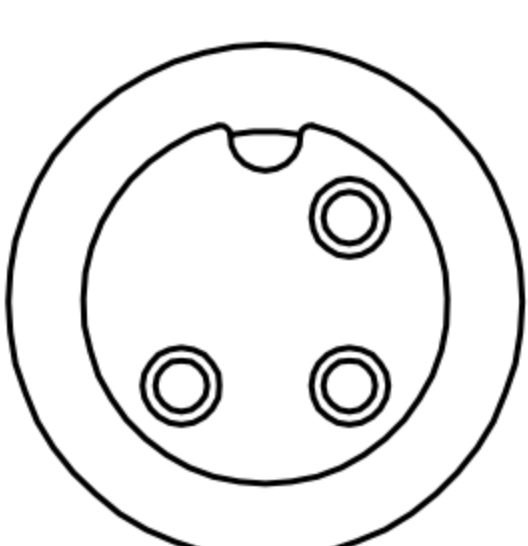
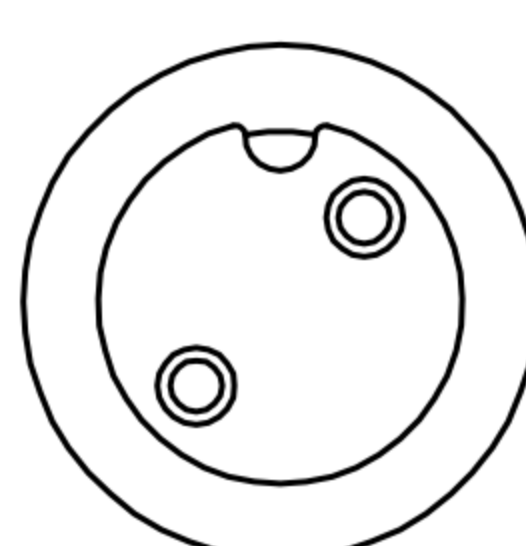
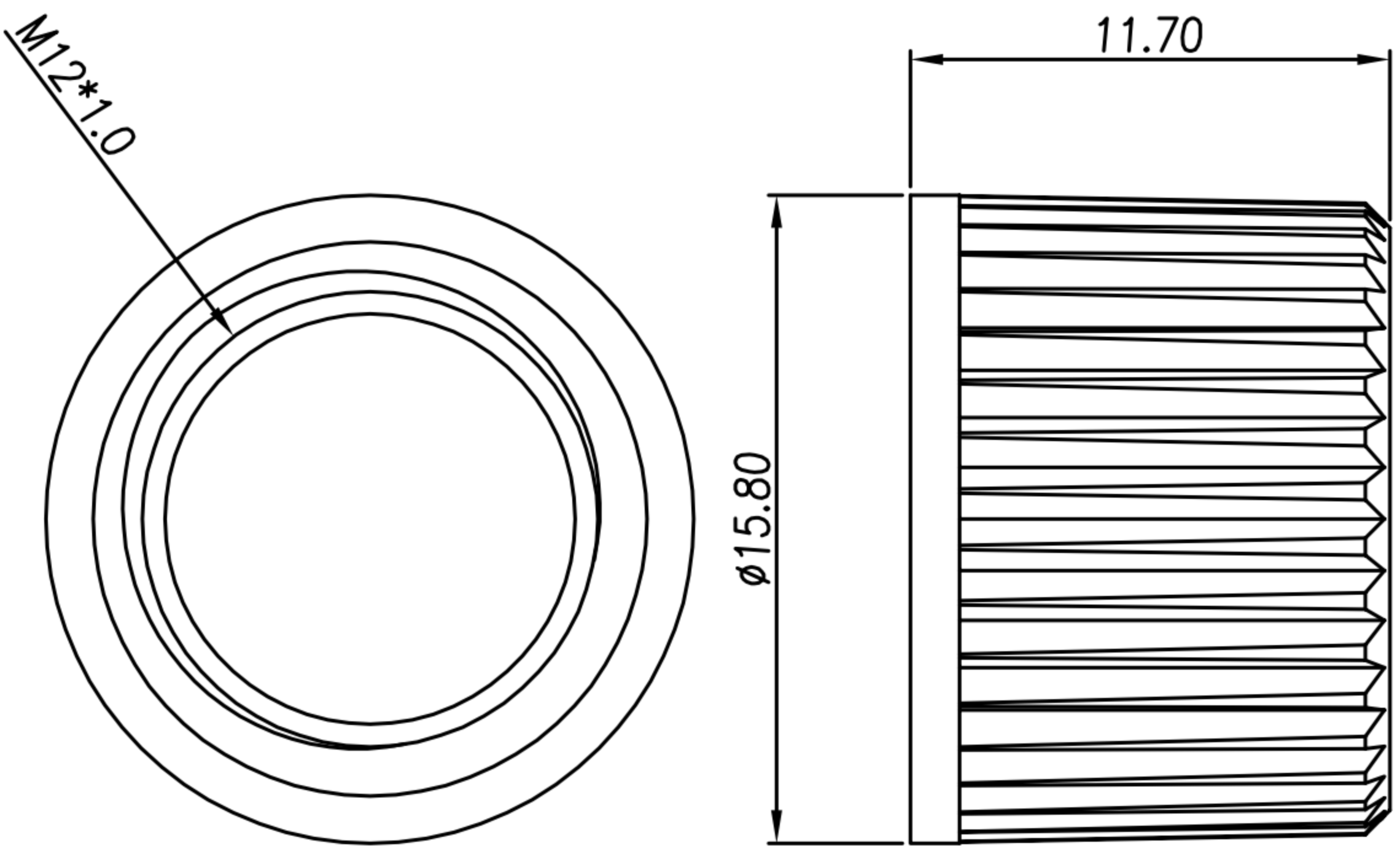


TABLE A

 WP-06F2-30-11	
 WP-05F2-96-11	 WP-04F2-120-11
 WP-03F2-45-11	 WP-02F2-29-11



- MATERIAL :
  - 1-1. HOUSING : PBT UL94V-0 ; COLOR : BLACK
  - 1-2. CONTACT : BRASS
  - 1-3. NUT : PBT UL94V-0 ; COLOR : BLACK
  - 1-4. O-RING : EPDM
- FINISH :
  - 2-1. CONTACT : GOLD FLASH PLATED
  - UNDER PLATE : NICKEL
- ELECTRICAL SPECIFICATION :
  - 3-1. Rated current : 4A
  - 3-2. Rated voltage : 2~4PIN 250V ; 5~6PIN 60V
  - 3-3. Water proof : IP67
- Environmental :
  - 4-1. Operation Temperature : -20℃~85℃