

# CUSTOMER DRAWING

| REV. | DESCRIPTION | APPROVED BY | DATE      | ECN NO. |
|------|-------------|-------------|-----------|---------|
| △A   | RELEASE     | Fido Weng   | 18/01/24' |         |
| △B   |             |             |           |         |
| △C   |             |             |           |         |

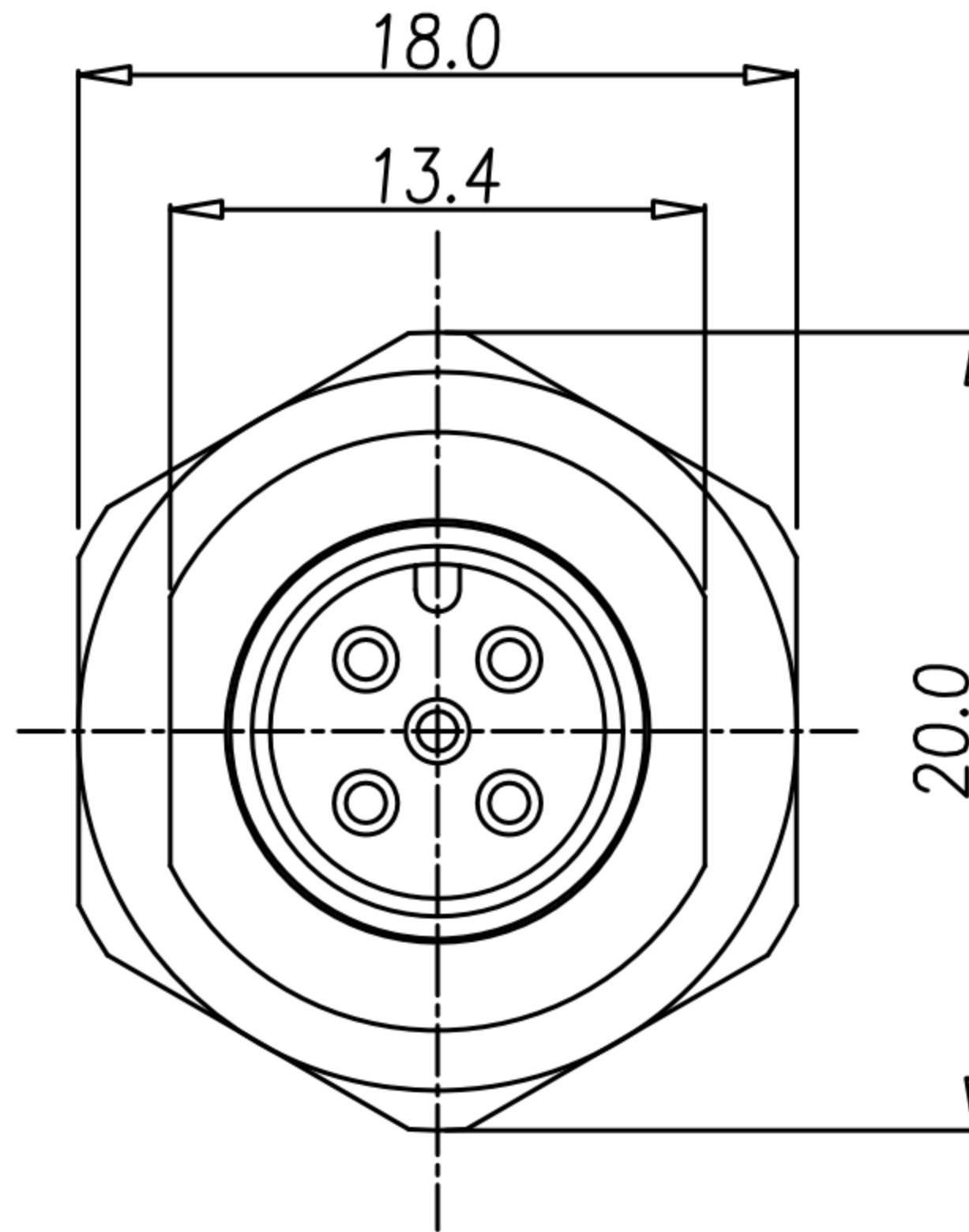
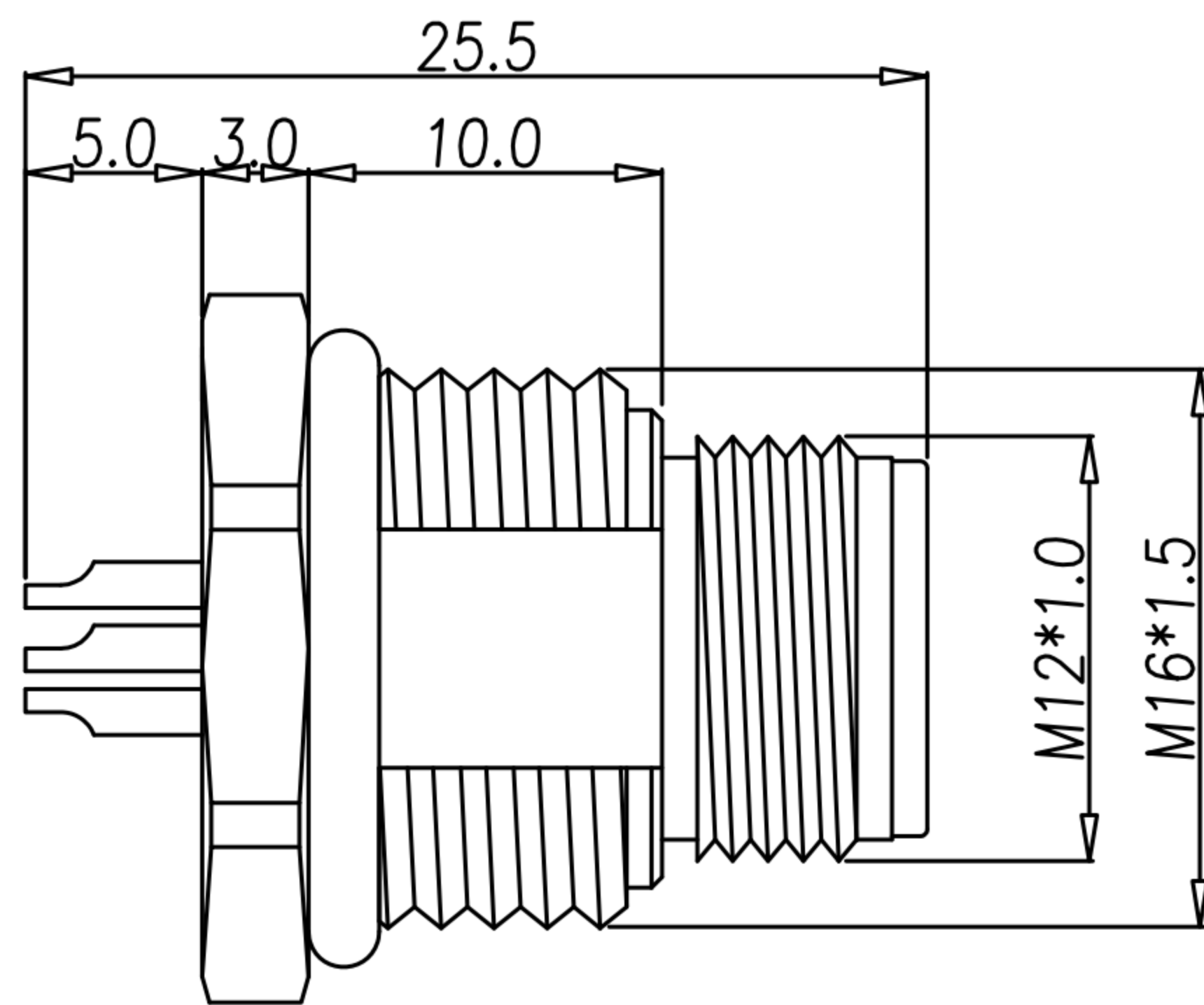
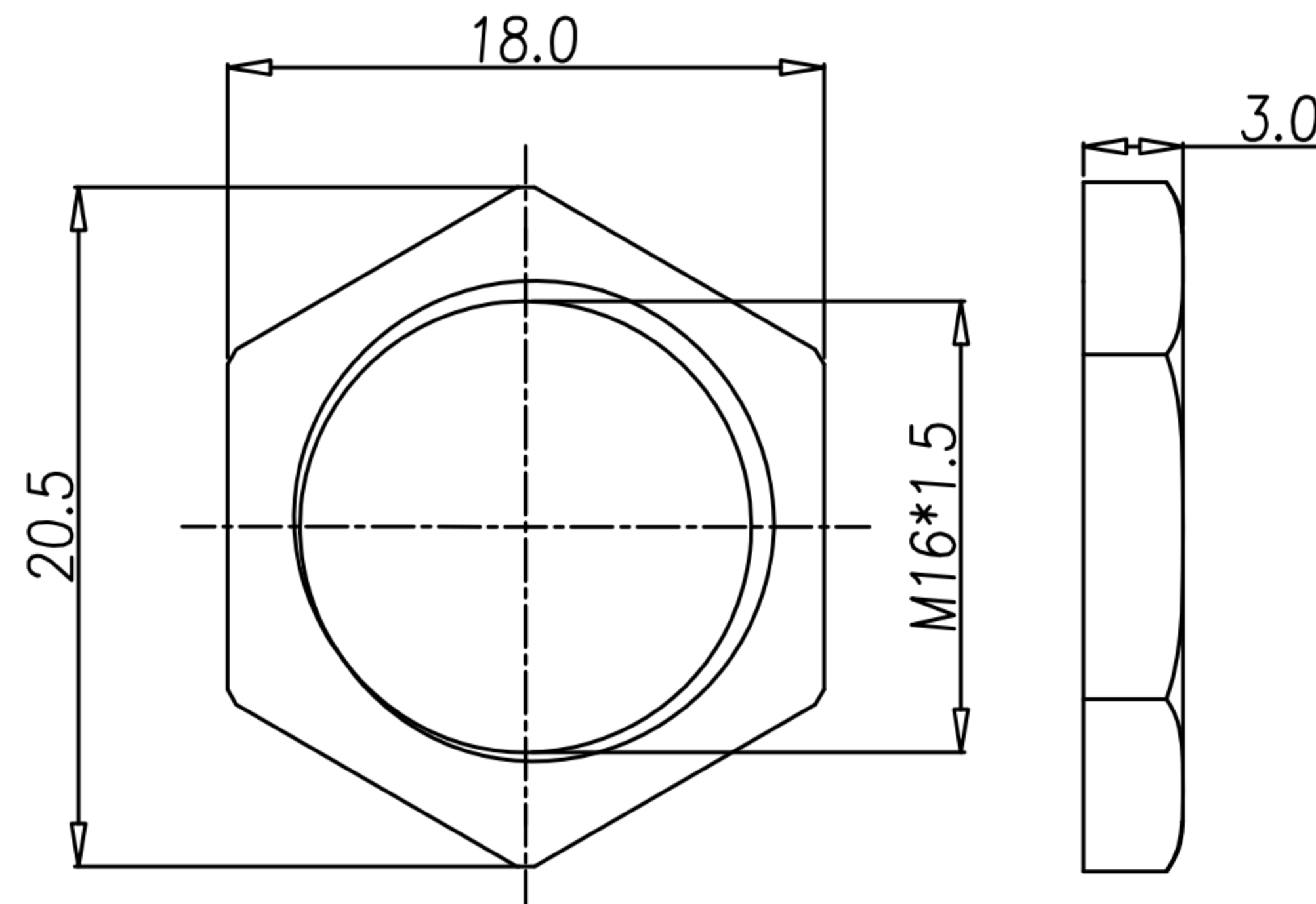


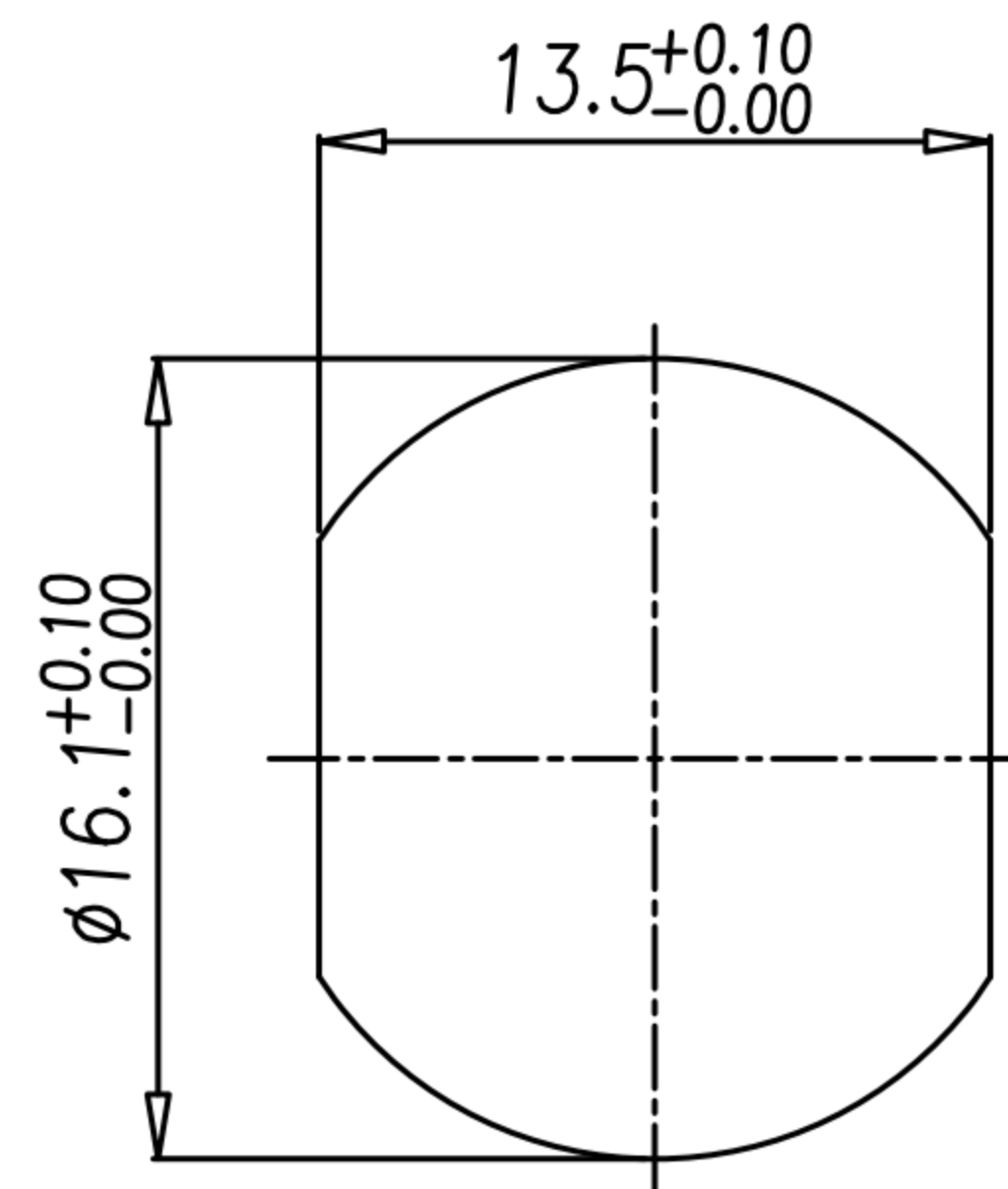
TABLE A

|                |                |
|----------------|----------------|
| <p>5PIN</p>    | <p>3PIN</p>    |
| WP-05M2-231-11 | WP-03M2-154-11 |
| <p>4PIN</p>    | <p>2PIN</p>    |
| WP-04M2-271-11 | WP-02M2-96-11  |

- MATERIAL :
  - 1-1. HOUSING : PBT UL94V-0 ; COLOR : BLACK
  - 1-2. CONTACT : BRASS
  - 1-3. NUT : BRASS
  - 1-4. SHELL : BRASS
  - 1-5. O-RING : EPDM
- FINISH :
  - 2-1. CONTACT : GOLD FLASH PLATED  
UNDER PLATE : NICKEL
  - 2-2. NUT : NICKEL PLATED
  - 2-3. SHELL : NICKEL PLATED
- ELECTRICAL SPECIFICATION :
  - 3-1. Rated current : 4A
  - 3-2. Rated Voltage : 2~4PIN 250V ; 5PIN 60V
  - 3-3. Water proof : IP67
- Environmental :
  - 4-1. Operation Temperature : -40℃~85℃



**NUT**



**RECOMMENDPANEL CUT-OUT**

|       |            |        |           |       |     |  |  |  |  |          |                                 |         |         |         |     |
|-------|------------|--------|-----------|-------|-----|--|--|--|--|----------|---------------------------------|---------|---------|---------|-----|
| DRAWN | Mark Kao   | APPEND | Fido Weng | UNIT  | mm  | TOLERANCE  |  |  | 广东科斯达电子科技有限公司<br>GUANG DONG KE SI DA ELECTRONIC TECHNOLOGY CO., LTD. | TITLE    | 防水頭 M12 A-Code (M) 前鎖M16*1.5焊線式 |         |         | SHEET   | 1/1 |
| CHKED | Emily Suen |        |           | SCALE | 1:1 | .x ±0.20<br>.xx ±0.10<br>.xxx ±0.05<br>.xxxx ±0.03<br>ANGULA ±1° |  |  |  | PART NO. | SEE TABLE A                     | DWG NO. | QC11074 | VERSION | A   |