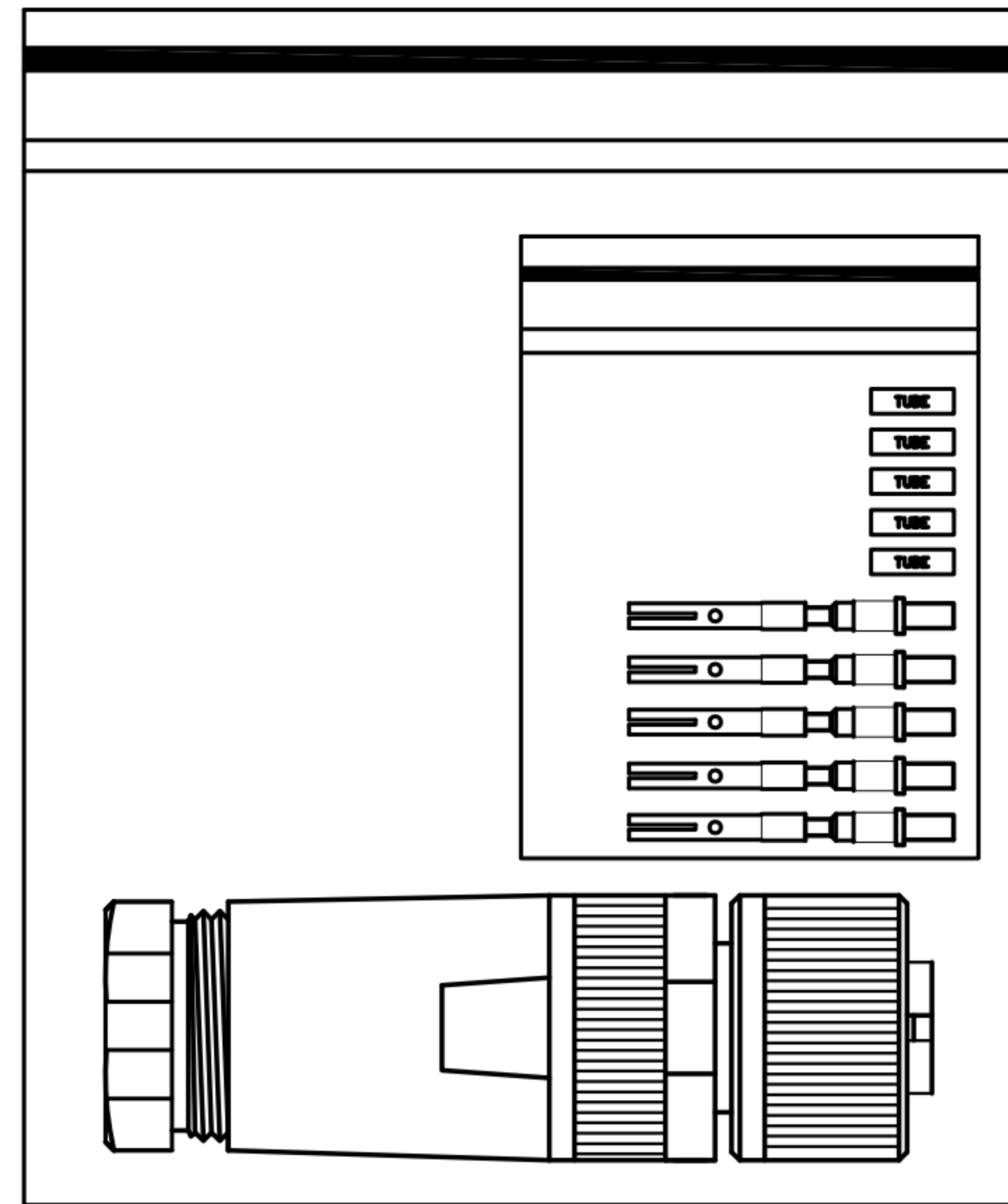
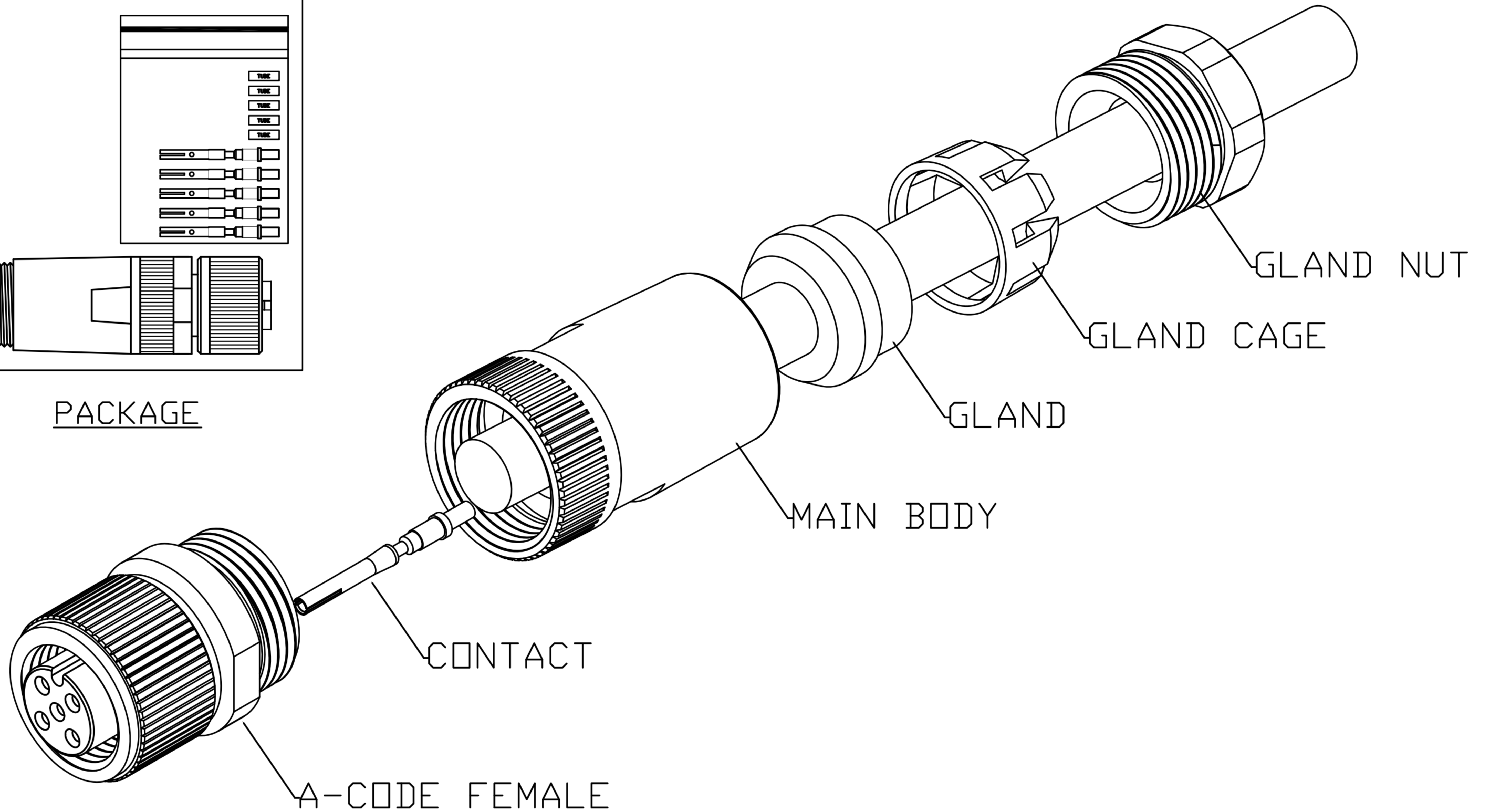


CUSTOMER DRAWING

REV.	DESCRIPTION	APPROVED BY	DATE	ECN NO.
△A	RELEASE	Fido Weng	2016/06/01	
△B	ADD TABLE A	Ku Chou	25/05/18'	
△C				



PACKAGE



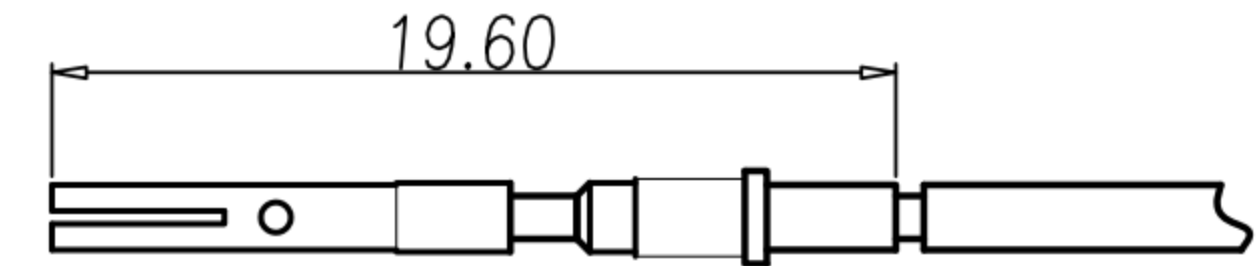
DRAWN	Emily Suen	APP'D	Ku Chou	UNIT	mm	TOLERANCE		广东科斯达电子科技有限公司 GUANG DONG KE SI DA ELECTRONIC TECHNOLOGY CO., LTD.	TITLE	M12 (F) A-CODE CRIMP PIN TYPE			SHEET	2
CHK'D	Ku Chou			SCALE	1:1	.x ±0.20 .xx ±0.10 .xxx ±0.05 .xxxx ±0.03 ANGULA ±1°			PART NO.	SEE TABLE A	DWG NO.	QC7490	VERSION	B

CUSTOMER DRAWING

REV.	DESCRIPTION	APPROVED BY	DATE	ECN NO.
A	RELEASE	Yeh Chou	01/06/16'	
B	ADD TABLE A	Yeh Chou	25/05/18'	
C				

TABLE A

WP-04F2-185-11	WP-05F2-119-11
WP-02F2-47-11	WP-03F2-87-11



CONTACT ASS'Y FOR 24AWG~28AWG

1. MATERIAL :

- 1-1. MATERIAL A :
- a. HOUSING : PBT UL94V-0 ; COLOR : BLACK.
 - b. CONTACT : BRASS
 - c. NUT : ALUMINIUM ALLOY
 - d. SHELL : ALUMINIUM ALLOY
 - e. O-RING A : EPDM ; COLOR : BLACK
 - f. BACK HOUSING : PBT UL94V-0 ; COLOR : BLACK.
 - g. SPRING : BERYLLIUM COPPER

- 1-2. MAIN BODY : ALUMINIUM ALLOY
 1-3. GLAND : SILICONE ; COLOR : BLACK.
 1-4. GLAND CAGE : POM ; COLOR : BLACK.
 1-5. GLAND NUT : ALUMINIUM ALLOY
 1-6. O-RING B : SILICONE ; COLOR : BLACK

2. FINISH :

- 2-1. MATERIAL A :
- a. CONTACT : GOLD FLASH MICRO INCHES MIN.
UNDER PLATE : NICKEL.
 - b. NUT : SATIN NICKEL PLATED.
 - c. SHELL : SATIN NICKEL PLATED.
 - d. SPRING : NICKEL PLATED.

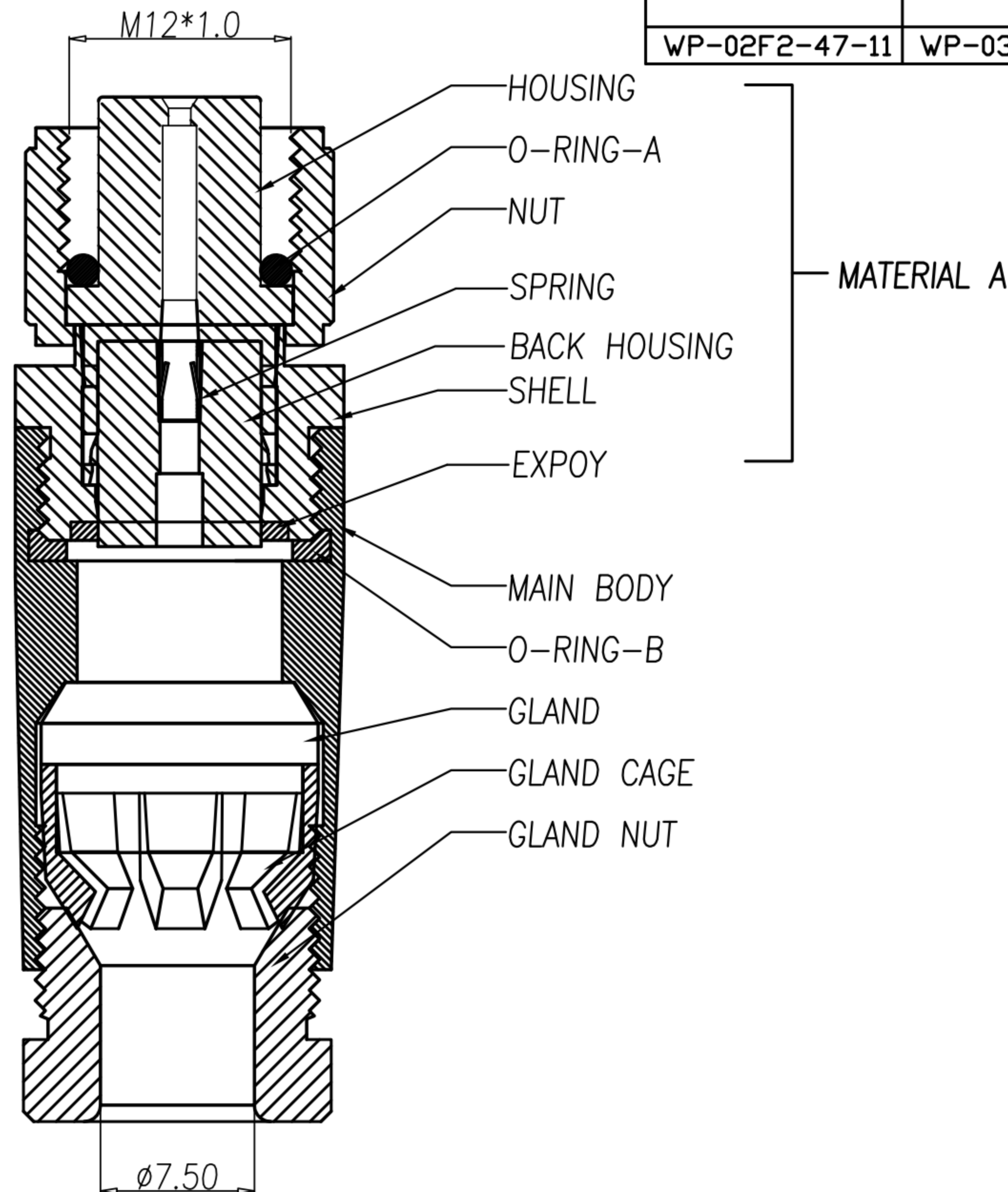
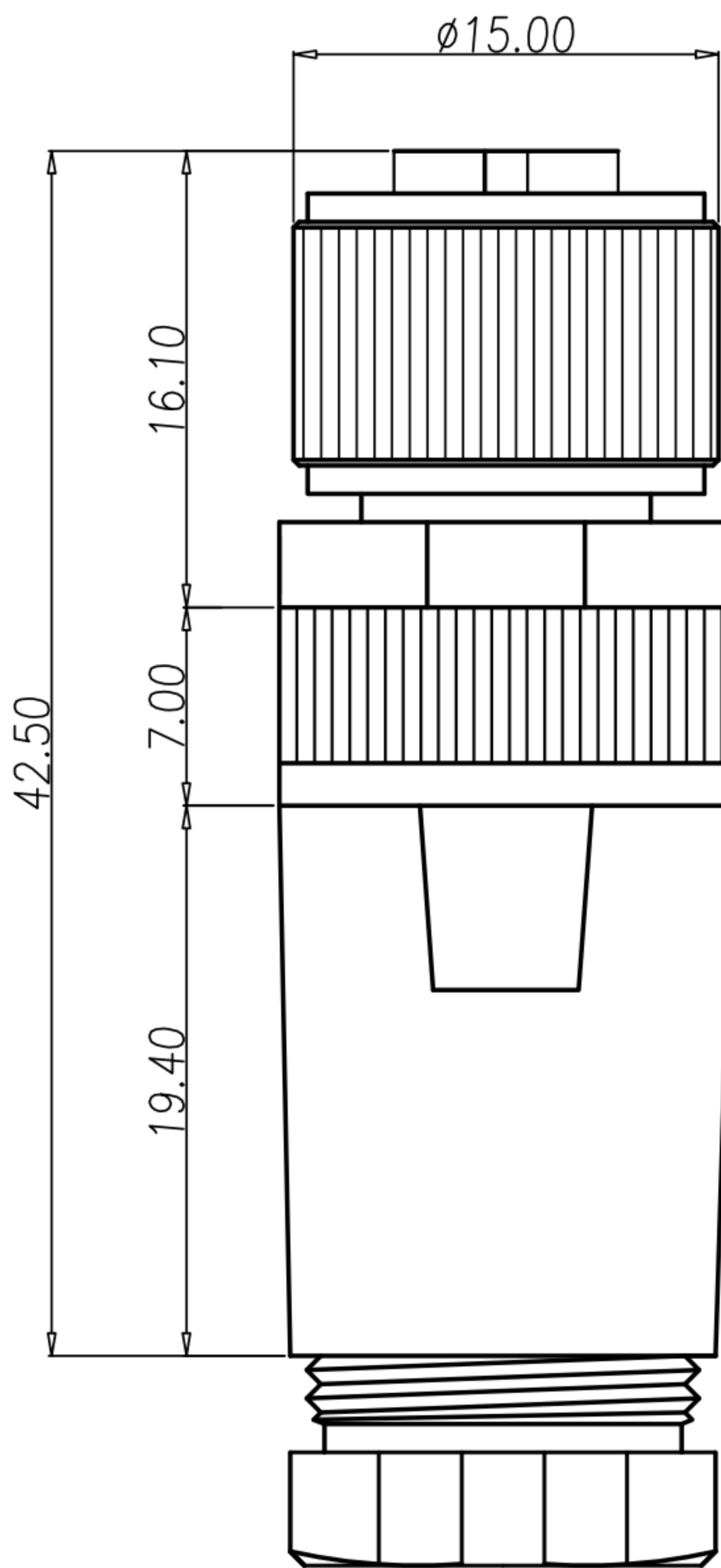
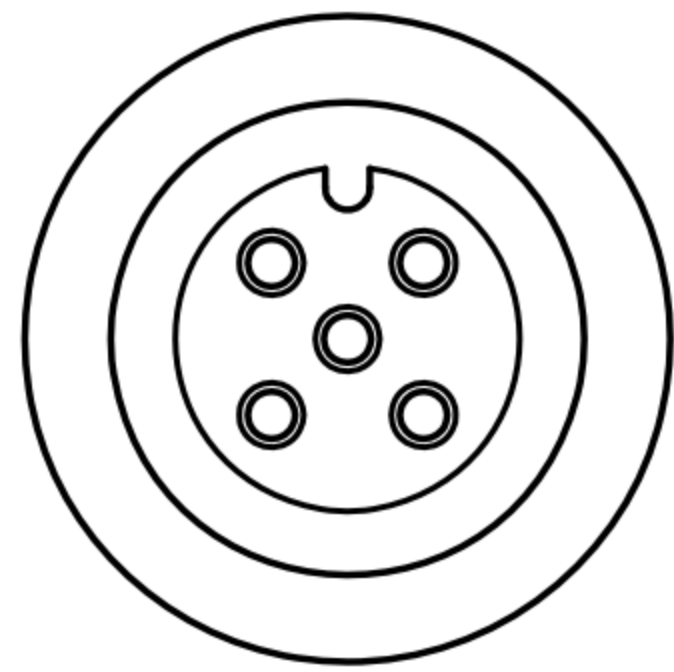
- 2-2. MAIN BODY : SATIN NICKEL PLATED.
 2-3. GLAND NUT : SATIN NICKEL PLATED.

3. ELECTRICAL SPECIFICATION :

- 3-1. Rated current : 4A
- 3-2. Rated voltage : 2~4PIN 250V;5PIN 60V
- 3-3. Water proof : IPX7

4. Environmental :

- 4-1. Operation Temperature : -20℃~85℃



DRAWN	Emily Suen	APP'D	Ku Chou	UNIT	mm	TOLERANCE		广东科斯达电子科技有限公司 GUANG DONG KE SI DA ELECTRONIC TECHNOLOGY CO., LTD.	TITLE	M12 (F) A-CODE CRIMP PIN TYPE			SHEET	1/2
CHK'D	Ku Chou			SCALE	1:1	.x ±0.20 .xx ±0.10 .xxx ±0.05 .xxxx ±0.03 ANGULA ±1°			PART NO.	SEE TABLE A	DWG NO.	QC7490	VERSION	B