

# CUSTOMER DRAWING

REV.	DESCRIPTION	APPROVED BY	DATE	ECN NO.
△A	RELEASE	Fido Weng	11/28/14*	
△B				
△C				

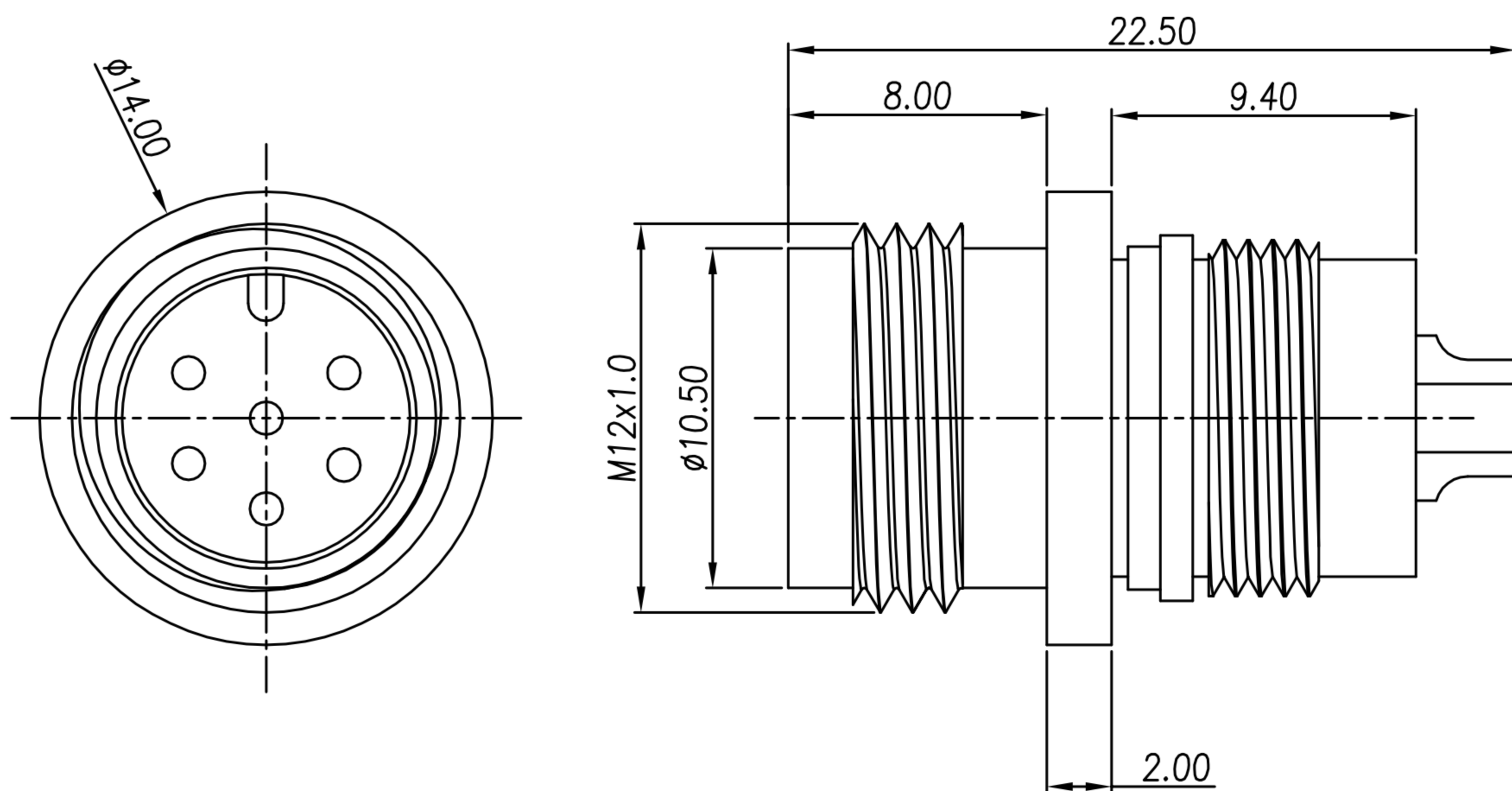


TABLE A

WP-06M2-37-11	
WP-05M2-83-11	WP-04M2-100-11
WP-03M2-42-11	WP-02M2-30-11

1. MATERIAL :
  - 1-1. HOUSING : PBT UL94V-0 ; COLOR : BLACK
  - 1-2. CONTACT : BRASS
2. FINISH :
  - 2-1. CONTACT : GOLD FLASH.  
UNDER PLATE : NICKEL
3. ELECTRICAL SPECIFICATION :
  - 3-1. Rated current : 4A
  - 3-2. Rated voltage : 2~4PIN 250V ; 5~6PIN 60V
  - 3-3. Water proof : IP67
4. Environmental :
  - 4-1. Operation Temperature : -20℃~85℃

DRAWN	Ku Chou	APPEND	Emily Suen	UNIT	mm	TOLERANCE		广东科斯达电子科技有限公司 GUANG DONG KE SI DA ELECTRONIC TECHNOLOGY CO., LTD.	TITLE	M12防水頭 (M) 焊線式			SHEET	1 A
CHKD	Emily Suen			SCALE	1:1	.x ±0.20 .xx ±0.10 .xxx ±0.05 .xxxx ±0.03 ANGULA ±1°			PART NO.	SEE TABLE A	DWG NO.	QC6887	VERSION	