

CUSTOMER DRAWING

REV.	DESCRIPTION	APPROVED BY	DATE	ECN NO.
△A	RELEASE	Fido Weng	12/04/06'	
△B	ADD P/N	Ku Chou	12/11/19'	
△C				

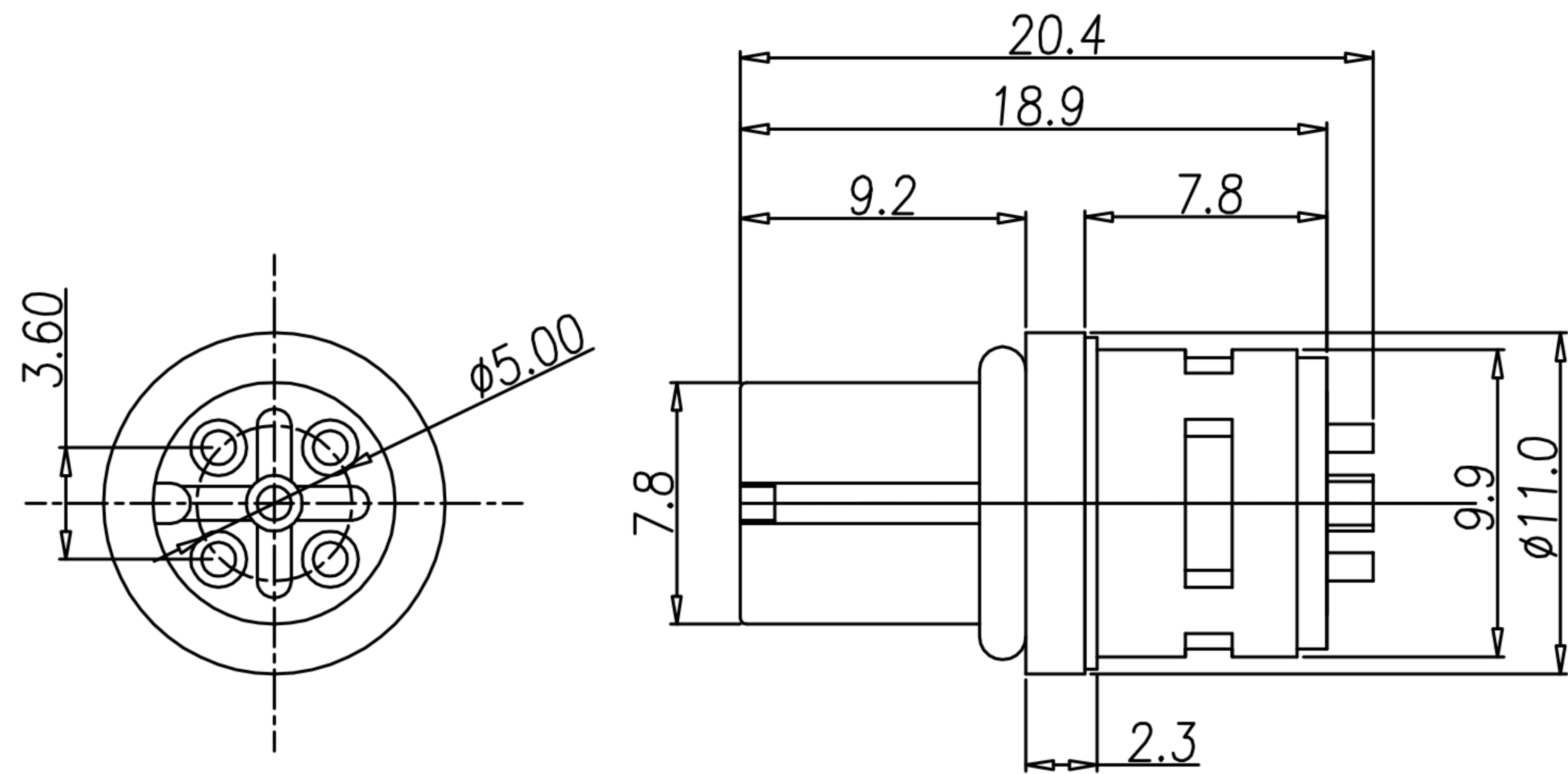
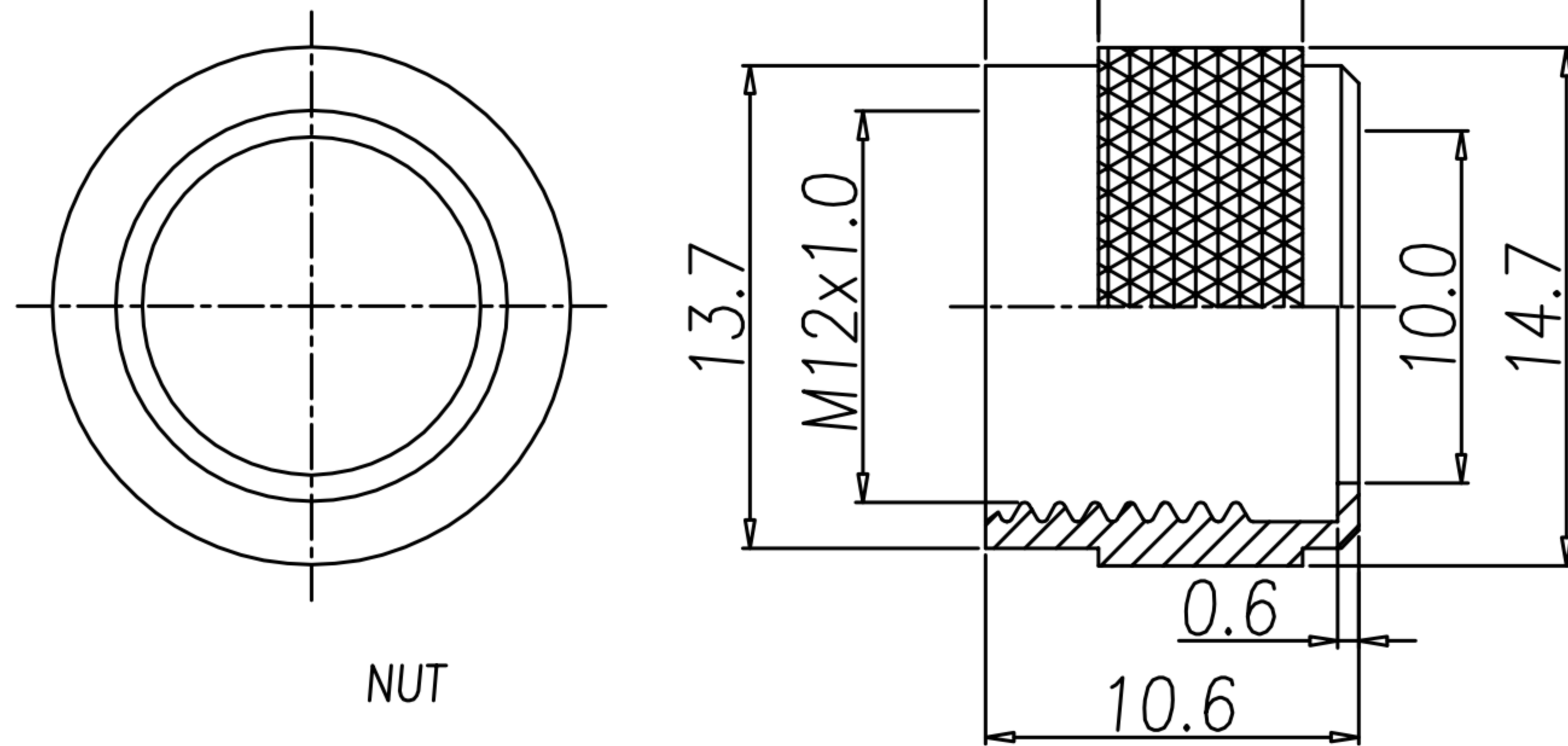


TABLE A

P/N	MATERIAL	
WP-05F2-123-11	NYLON 66	5PIN
△B WP-05F2-191-11	PBT	5PIN
WP-04F2-176-11	NYLON 66	4PIN
△B WP-04F2-249-11	PBT	4PIN
△B WP-03F2-136-11	PBT	3PIN
△B WP-03F2-137-11	PBT	3PIN
△B WP-02F2-79-11	PBT	2PIN
P/N	MATERIAL	

5PIN	4PIN
3PIN WP-03F2-137-11	3PIN WP-03F2-136-11
	2PIN



1. MATERIAL :
 - 1-1. HOUSING : SEE TABLE A ; COLOR : BLACK
 - 1-2. CONTACT : BRASS
 - 1-3. NUT : BRASS
 - 1-4. O-RING : EPDM; COLOR : BLACK(7.5*1.5)
 - 1-5. SHELL : BRASS
2. FINISH :
 - 2-1. CONTACT : 10u" MIN. GOLD PLATED
UNDER PLATE : NICKEL
 - 2-2.NUT : NICKEL
 - 2-3. SHELL : BRIGHT TIN
3. ELECTRICAL SPECIFICATION :
 - 3-1. Rated current : 4A
 - 3-2. Rated Voltage : 2PIN~4PIN 250V ; 5PIN 60V
 - 3-3. Water proof: IP68
4. Environmental :
 - 4-1. Operation Temperature : -40℃~105℃

DRAWN	Emily Suen	APP'D	Ku Chou	UNIT	mm	TOLERANCE			广东科斯达电子科技有限公司 GUANG DONG KE SI DA ELECTRONIC TECHNOLOGY CO., LTD.	TITLE	WP M12 (F) 焊線式螺母壓花(接地剖溝)			SHEET	1
CHK'D	Ku Chou			SCALE	1:1	.x ±0.20 .xx ±0.10 .xxx ±0.05 .xxxx ±0.03 ANGULA ±1°				PART NO.	SEE TABLE A	DWG NO.	QC7553	VERSION	B