

CUSTOMER DRAWING

| REV. | DESCRIPTION | APPROVED BY | DATE      | ECN NO. |
|------|-------------|-------------|-----------|---------|
| △A   | RELEASE     | Ku Chou     | 26/03/20* |         |
| △B   |             |             |           |         |
| △C   |             |             |           |         |

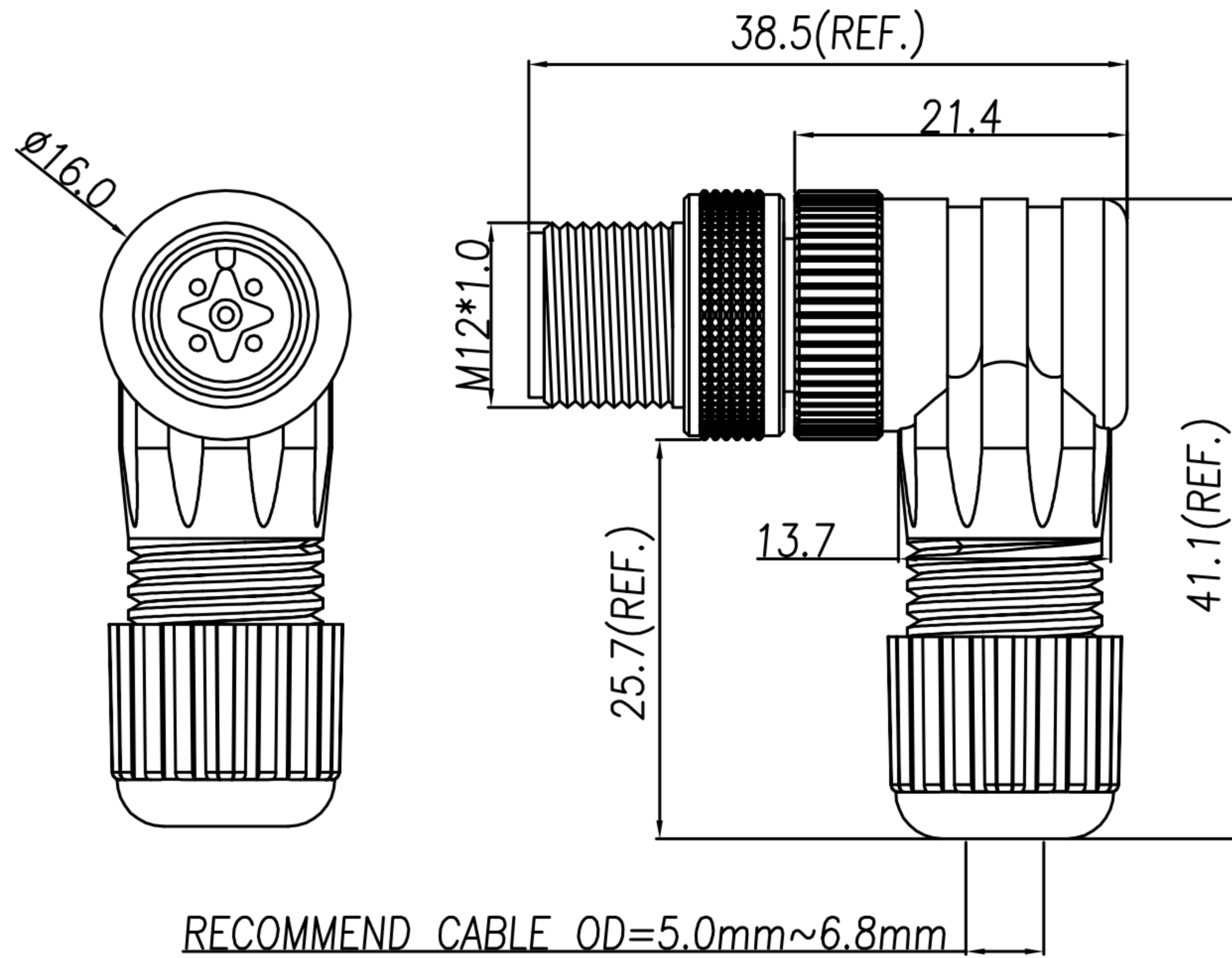
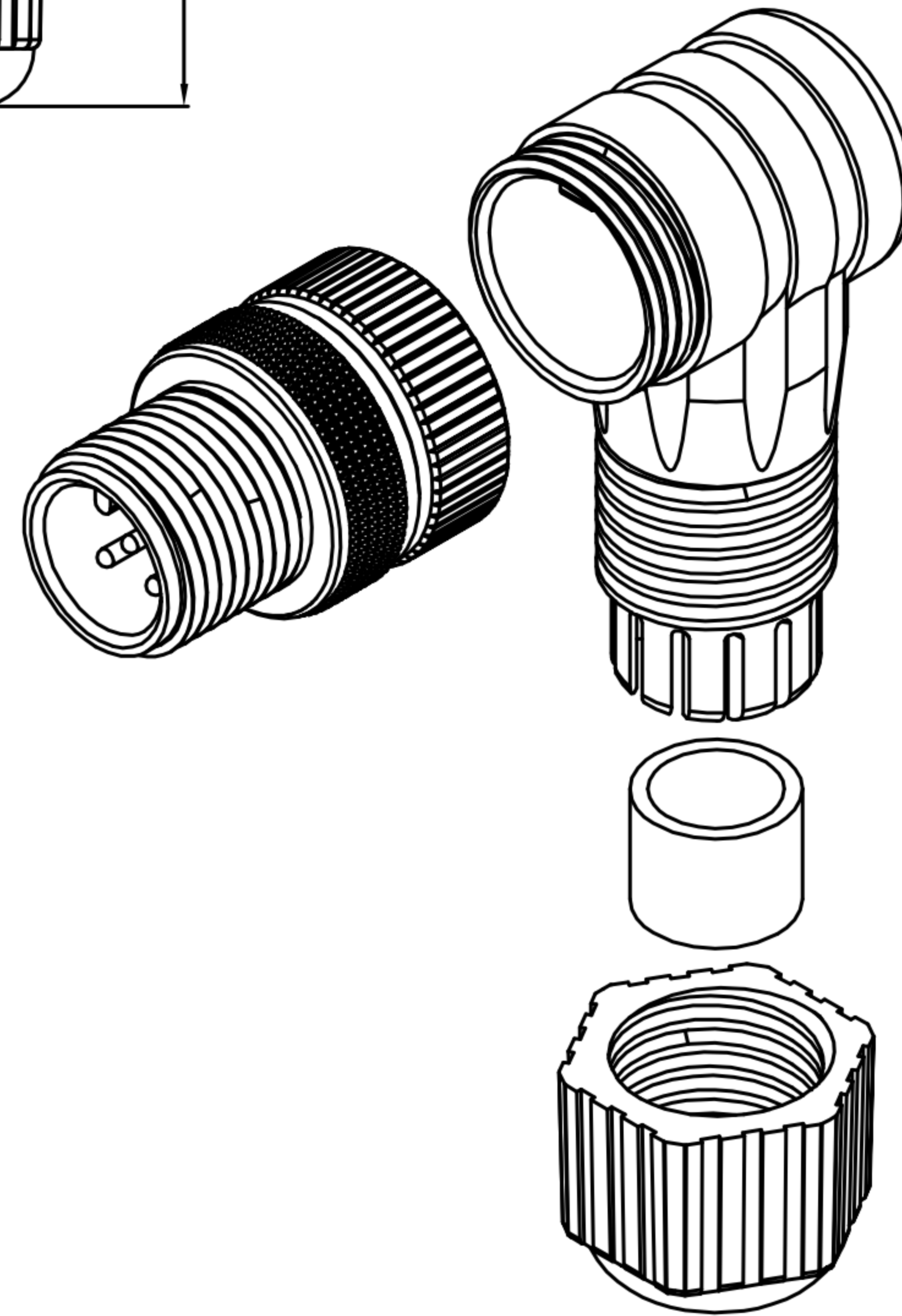


TABLE A

|                           |                       |                       |                        |                        |
|---------------------------|-----------------------|-----------------------|------------------------|------------------------|
|                           |                       |                       |                        |                        |
| 0° 5PIN<br>WP-05M2-161-11 | 45°<br>WP-05M2-162-11 | 90°<br>WP-05M2-163-11 | 135°<br>WP-05M2-164-11 | 180°<br>WP-05M2-165-11 |
|                           |                       |                       |                        |                        |
| 0° 4PIN<br>WP-04M2-210-11 | 45°<br>WP-04M2-211-11 | 90°<br>WP-04M2-212-11 | 135°<br>WP-04M2-213-11 | 180°<br>WP-04M2-214-11 |
|                           |                       |                       |                        |                        |
| 0° 3PIN<br>WP-03M2-120-11 | 45°<br>WP-03M2-121-11 | 90°<br>WP-03M2-122-11 | 135°<br>WP-03M2-123-11 | 180°<br>WP-03M2-124-11 |
|                           |                       |                       |                        |                        |
| 0° 2PIN<br>WP-02M2-70-11  | 45°<br>WP-02M2-71-11  | 90°<br>WP-02M2-72-11  | 135°<br>WP-02M2-73-11  | 180°<br>WP-02M2-74-11  |



- MATERIAL :
  - HOUSING : PA66 ; COLOR : BLACK.
  - CONTACT : BRASS
  - SHELL : BRASS
  - NUT : BRASS
  - O-RING : SILICONE
  - CLAMP RING : PA66
  - SEAL : SILICONE
  - SEALING NUT : PA66
- FINISH :
  - CONTACT : GOLD 10U" MICRO INCHES MIN.
  - NUT : NICKEL PLATED.
  - SHELL : NICKEL PLATED.
- ELECTRICAL SPECIFICATION :
  - Rated current : 4A
  - Rated voltage : 2~4PIN 250V ; 5PIN 60V
  - Water proof : IP67
- Environmental :
  - Operation Temperature : -40℃~105℃

|       |          |       |         |       |     |                                                                  |  |                                                                      |          |                                                |         |        |         |   |
|-------|----------|-------|---------|-------|-----|------------------------------------------------------------------|--|----------------------------------------------------------------------|----------|------------------------------------------------|---------|--------|---------|---|
| DRAWN | Mark Kao | APP'D | Ku Chou | UNIT  | mm  | TOLERANCE                                                        |  | 广东科斯达电子科技有限公司<br>GUANG DONG KE SI DA ELECTRONIC TECHNOLOGY CO., LTD. | TITLE    | M12 (M) A-coded 90° Assembly type(塑膠本體)防呆轉向xx' |         |        | SHEET   | 1 |
| CHK'D | Ku Chou  |       |         | SCALE | 1:1 | .x ±0.20<br>.xx ±0.10<br>.xxx ±0.05<br>.xxxx ±0.03<br>ANGULA ±1° |  |                                                                      | PART NO. | SEE TABLE A                                    | DWG NO. | QC9681 | VERSION | A |