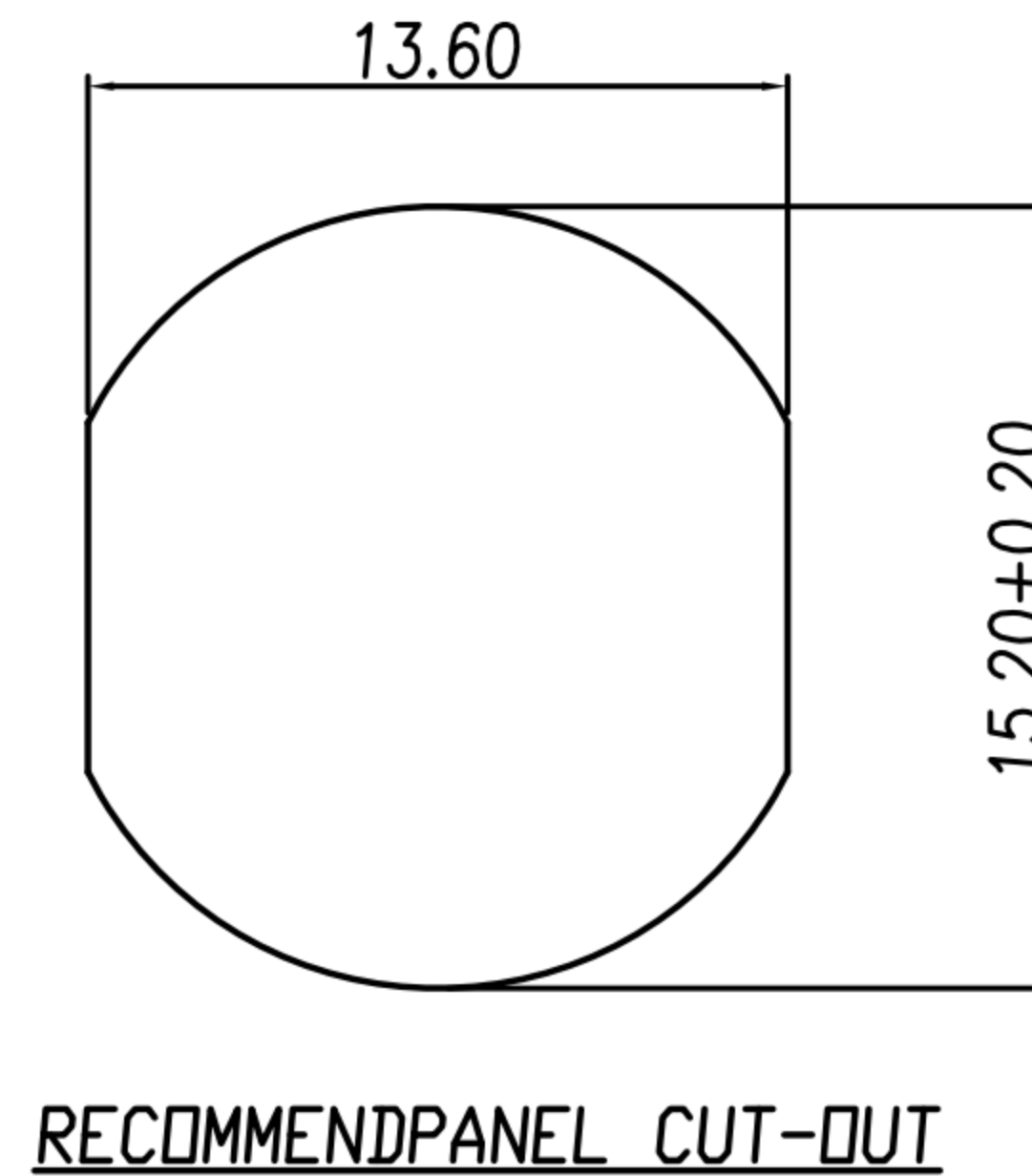
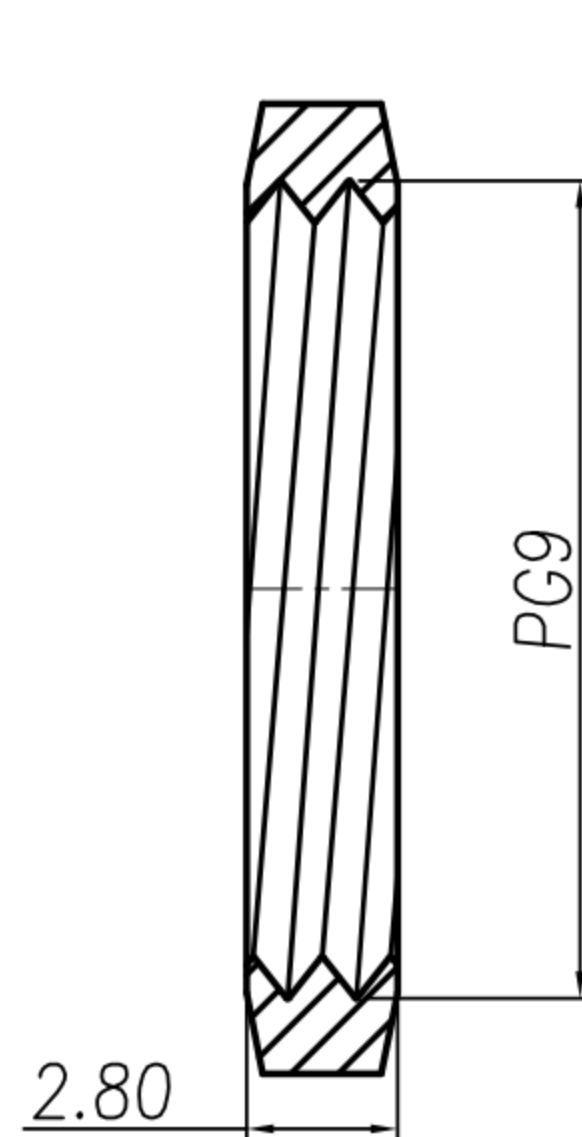
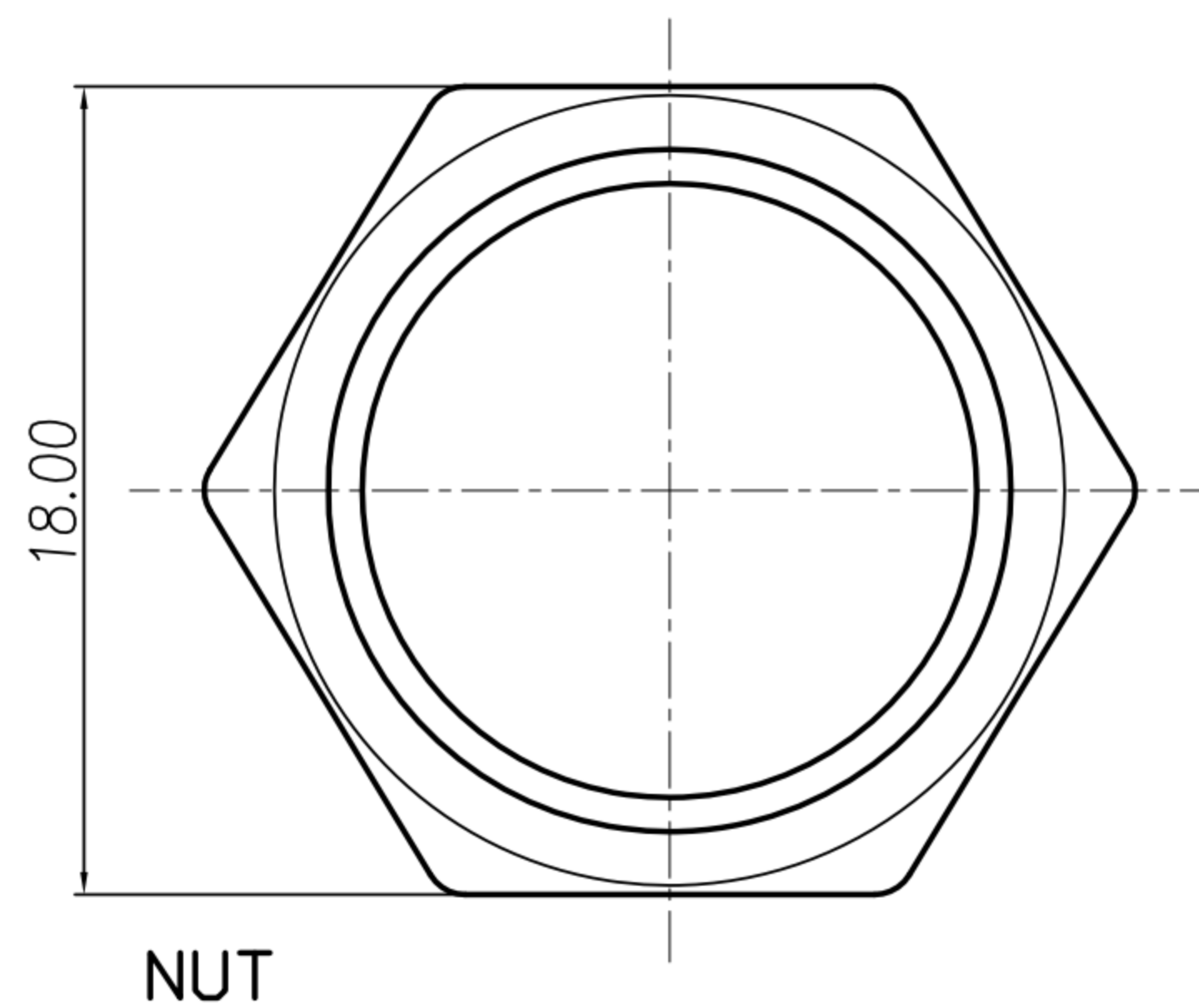
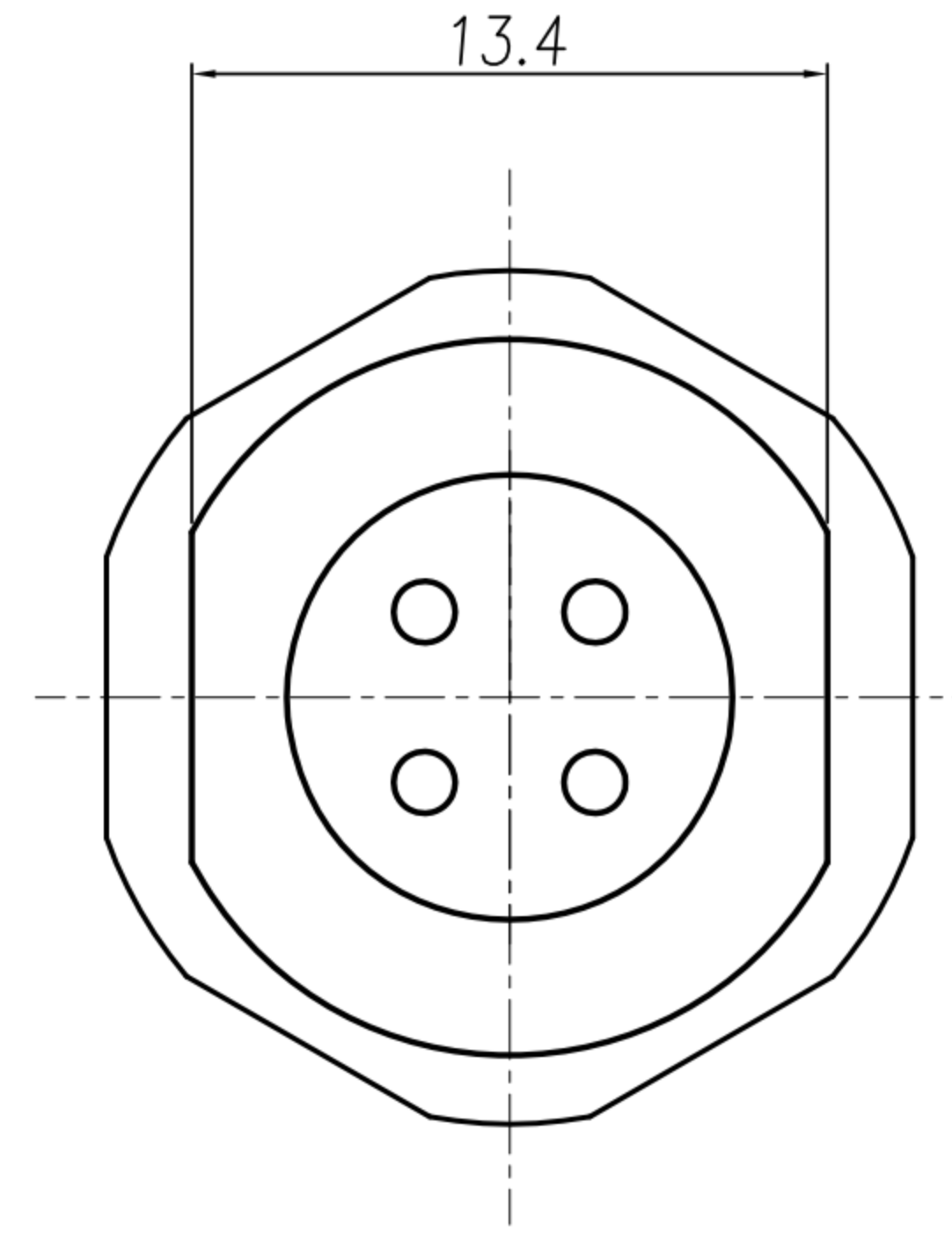
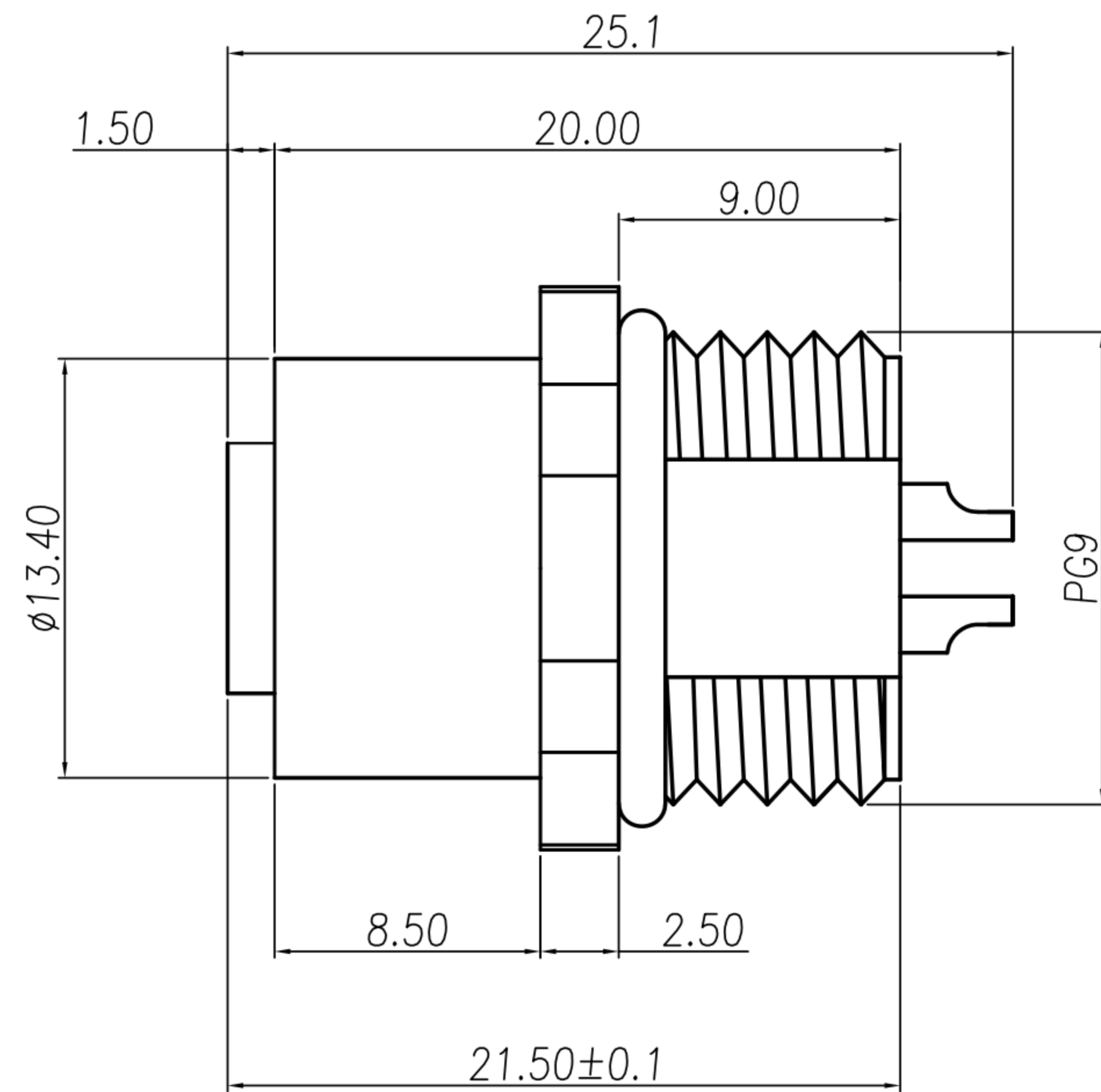
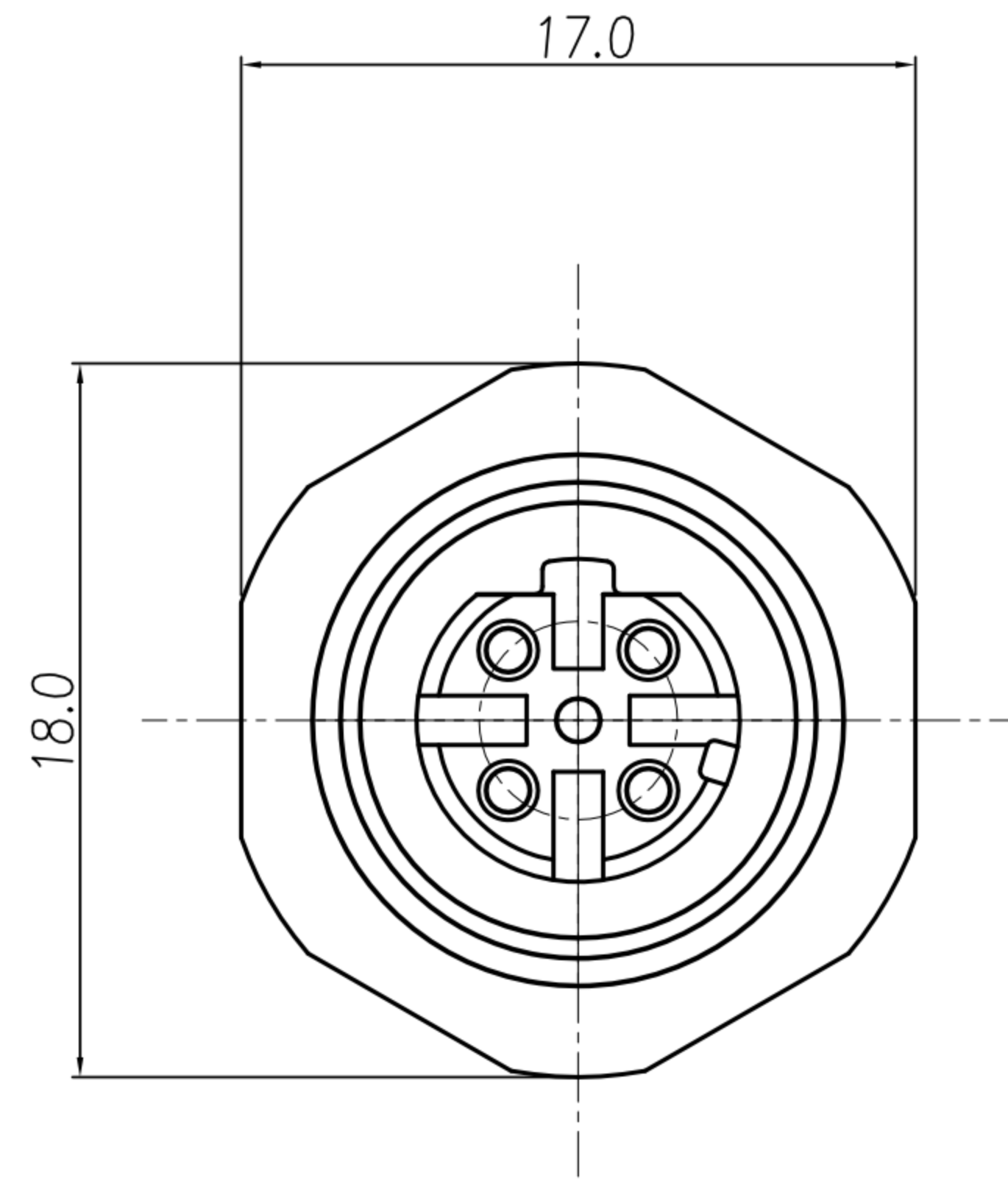


# CUSTOMER DRAWING

REV.	DESCRIPTION	APPROVED BY	DATE	ECN NO.
A	RELEASE	Fido Weng	09/04/13'	
B				
C				



- MATERIAL :
  - 1-1. HOUSING : PBT UL94V-0 ; COLOR : BLACK
  - 1-2. CONTACT : BRASS
  - 1-3. SHELL : BRASS
  - 1-4. NUT : BRASS
  - 1-5. O-RING : EPDM
- FINISH :
  - 2-1. CONTACT : GOLD FLASH.  
UNDER PLATE : NICKEL
  - 2-2. SHELL : NICKEL PLATED.
  - 2-2. NUT : NICKEL PLATED.
- ELECTRICAL SPECIFICATION :
  - 3-1. Rated current : 4A
  - 3-2. Rated Voltage : 250V
  - 3-3. Water proof : IPX7
- Environmental :
  - 4-1. Operation Temperature : -20℃~85℃

DRAWN	Ku Chou	APP'D	Fido Weng	UNIT	mm	TOLERANCE		广东科斯达电子科技有限公司 GUANG DONG KE SI DA ELECTRONIC TECHNOLOGY CO., LTD.	TITLE	WP M12 (F) 4P D-Code 板端後鎖PG9焊線式			SHEET	1
CHK'D	Emily Suen			SCALE	1:1	.x ±0.20 .xx ±0.10 .xxx ±0.05 .xxxx ±0.03 ANGULA ±1°			PART NO.	WP-04F2-115-11	DWG NO.	QC6710	VERSION	A