

CUSTOMER DRAWING

REV.	DESCRIPTION	APPROVED BY	DATE	ECN NO.
A	RELEASE	Fido Weng	26/02/20*	
B				
C				

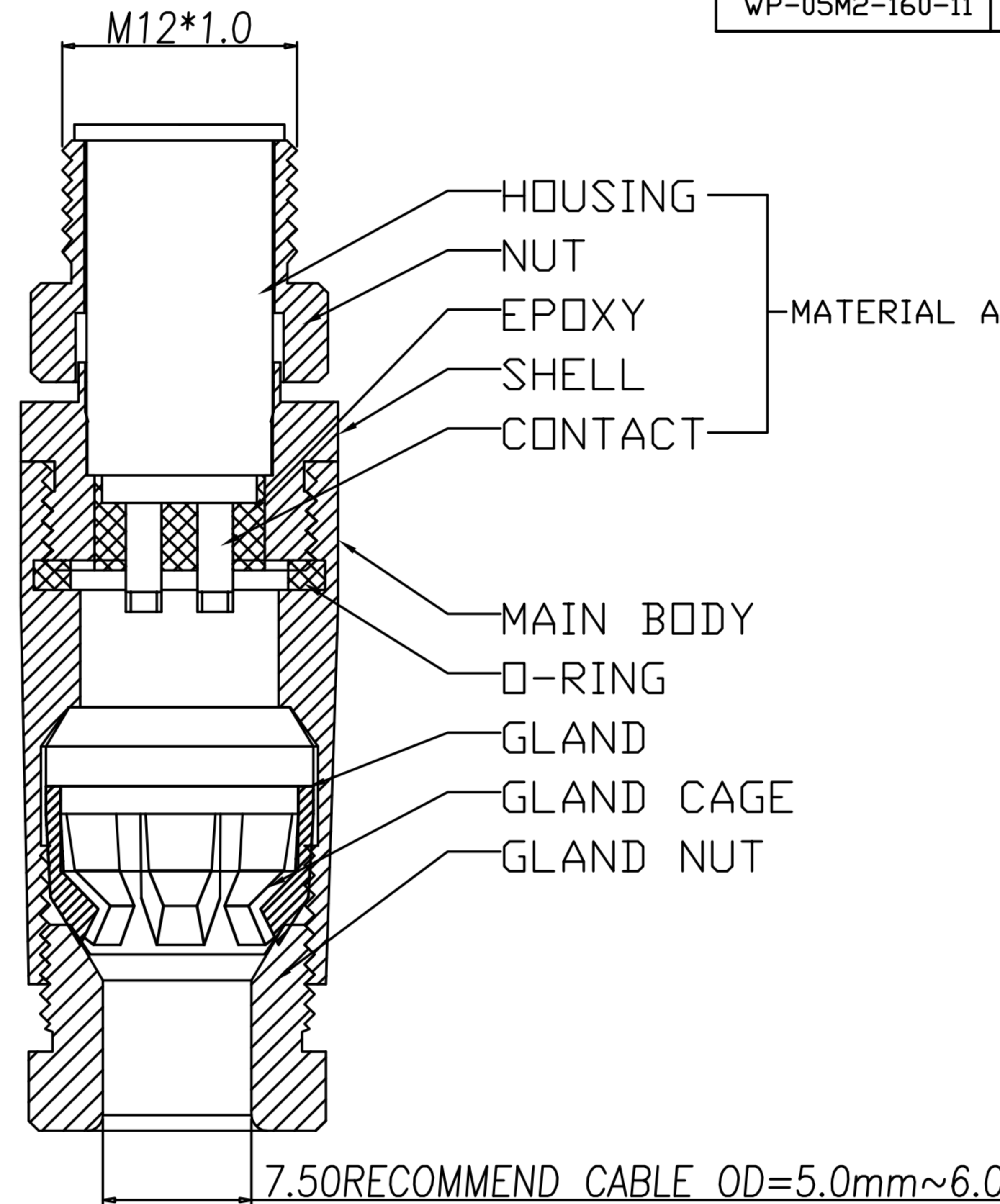
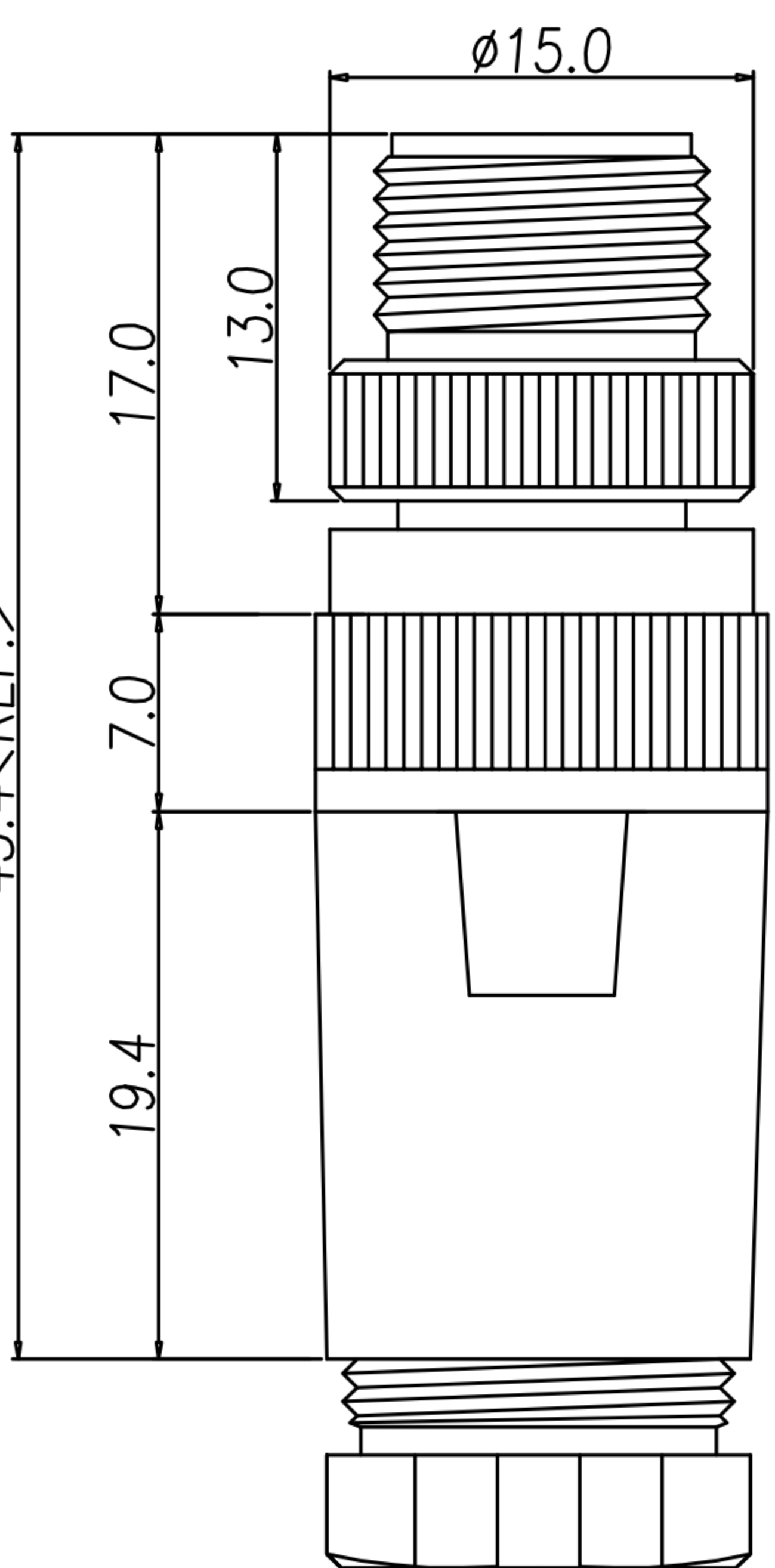
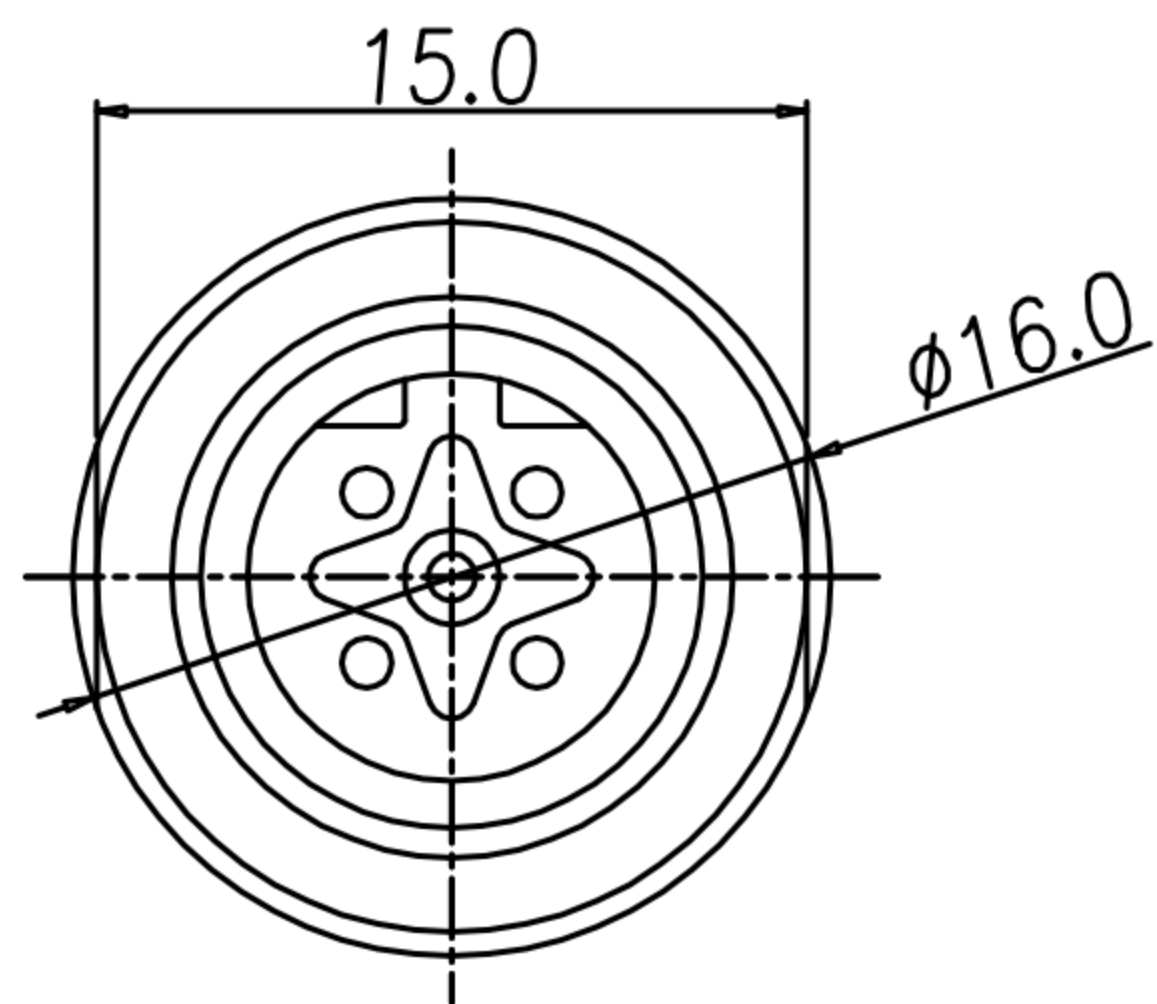


TABLE A

WP-05M2-160-11	WP-04M2-202-11	WP-03M2-115-11	WP-02M2-67-11

1. MATERIAL :
 - 1-1. MATERIAL A :
 - a. HOUSING : PBT UL94V-0 ; COLOR : BLACK.
 - b. CONTACT : BRASS
 - c. NUT : ALUMINIUM ALLOY
 - d. SHELL : ALUMINIUM ALLOY
 - 1-2. MAIN BODY : ALUMINIUM ALLOY
 - 1-3. GLAND : SILICONE COLOR : BLACK.
 - 1-4. GLAND CAGE : POM ; COLOR : BLACK.
 - 1-5. GLAND NUT : ALUMINIUM ALLOY
 - 1-6. O-RING : SILICONE ; COLOR : BLACK.
2. FINISH :
 - 2-1. MATERIAL A :
 - a. CONTACT : GOLD FLASH MICRO INCHES MIN. UNDER PLATE : NICKEL.
 - b. NUT : SATIN NICKEL PLATED
 - c. SHELL : SATIN NICKEL PLATED
 - 2-2. MAIN BODY : SATIN NICKEL PLATED
 - 2-3. GLAND NUT : SATIN NICKEL PLATED.
3. ELECTRICAL SPECIFICATION :
 - 3-1. Rated current : 4A
 - 3-2. Rated voltage : 2~4PIN 250V ; 5PIN 60V
 - 3-3. Water proof : IP67/IP68
4. Environmental :
 - 4-1. Operation Temperature : -20℃~85℃

DRAWN	Ku Chou	APP'D	Emily Suen	UNIT	mm	TOLERANCE		广东科斯达电子科技有限公司 GUANG DONG KE SI DA ELECTRONIC TECHNOLOGY CO., LTD.	TITLE	M12 (M) B-coded Assembly type			SHEET	
CHK'D	Emily Suen			SCALE	1:1	.x ±0.20 .xx ±0.10 .xxx ±0.05 .xxxx ±0.03 ANGULA ±1°			PART NO.	SEE TABLE A	DWG NO.	QC9582	VERSION	