

CUSTOMER DRAWING

| REV. | DESCRIPTION | APPROVED BY | DATE | ECN NO. |
|------|-------------|-------------|-----------|---------|
| △A | RELEASE | LED | 16/11/23' | |
| △B | | | | |
| △C | | | | |

步驟一:

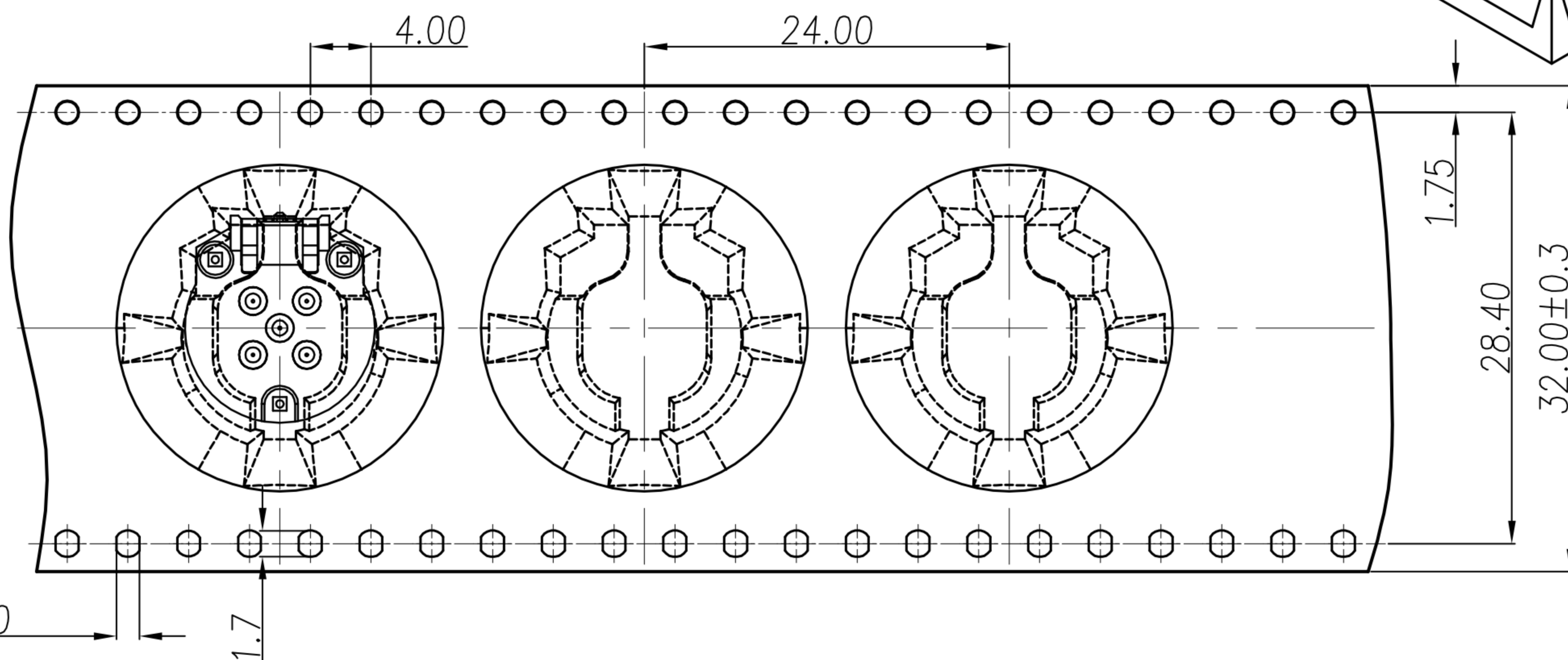
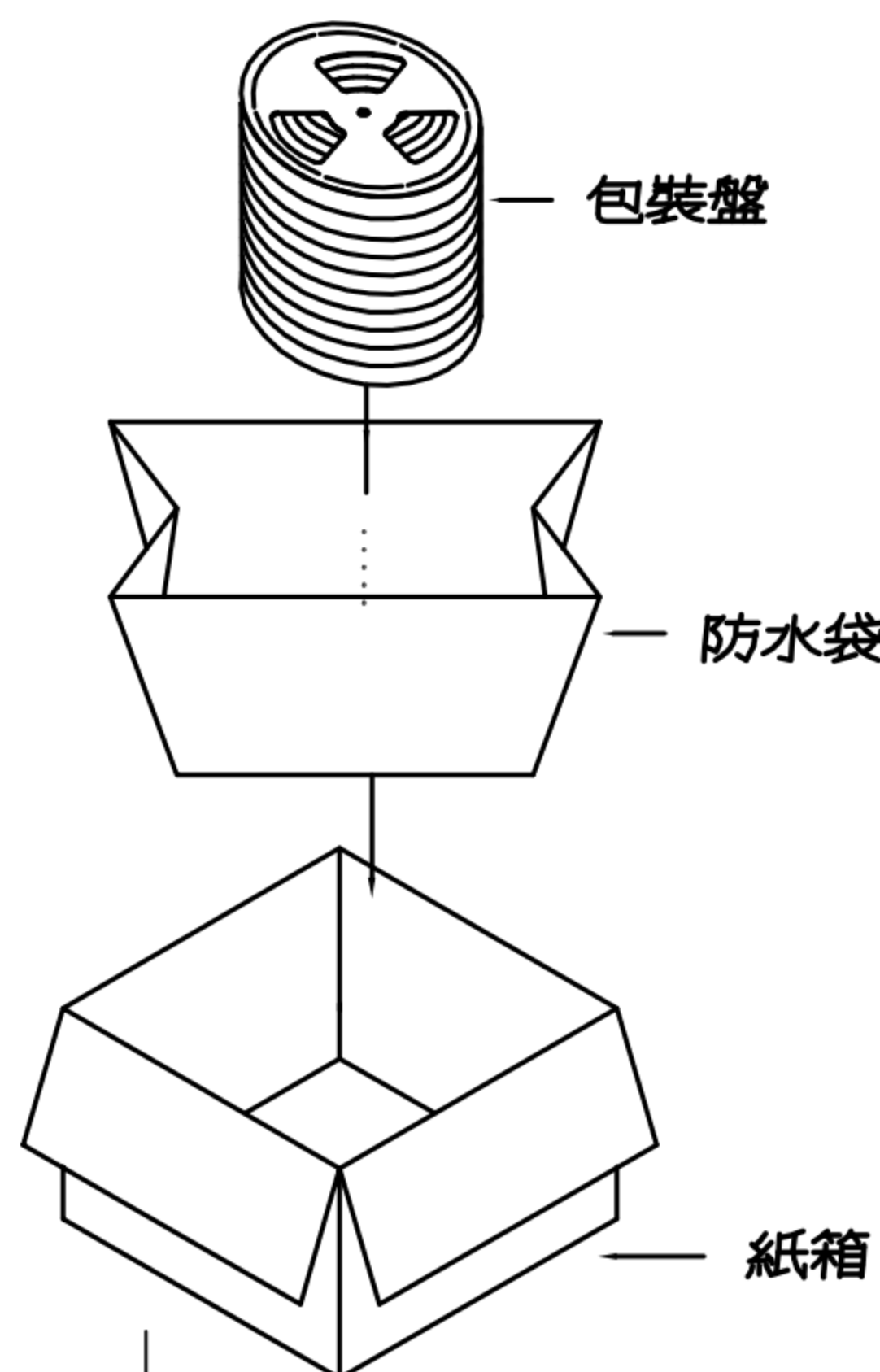
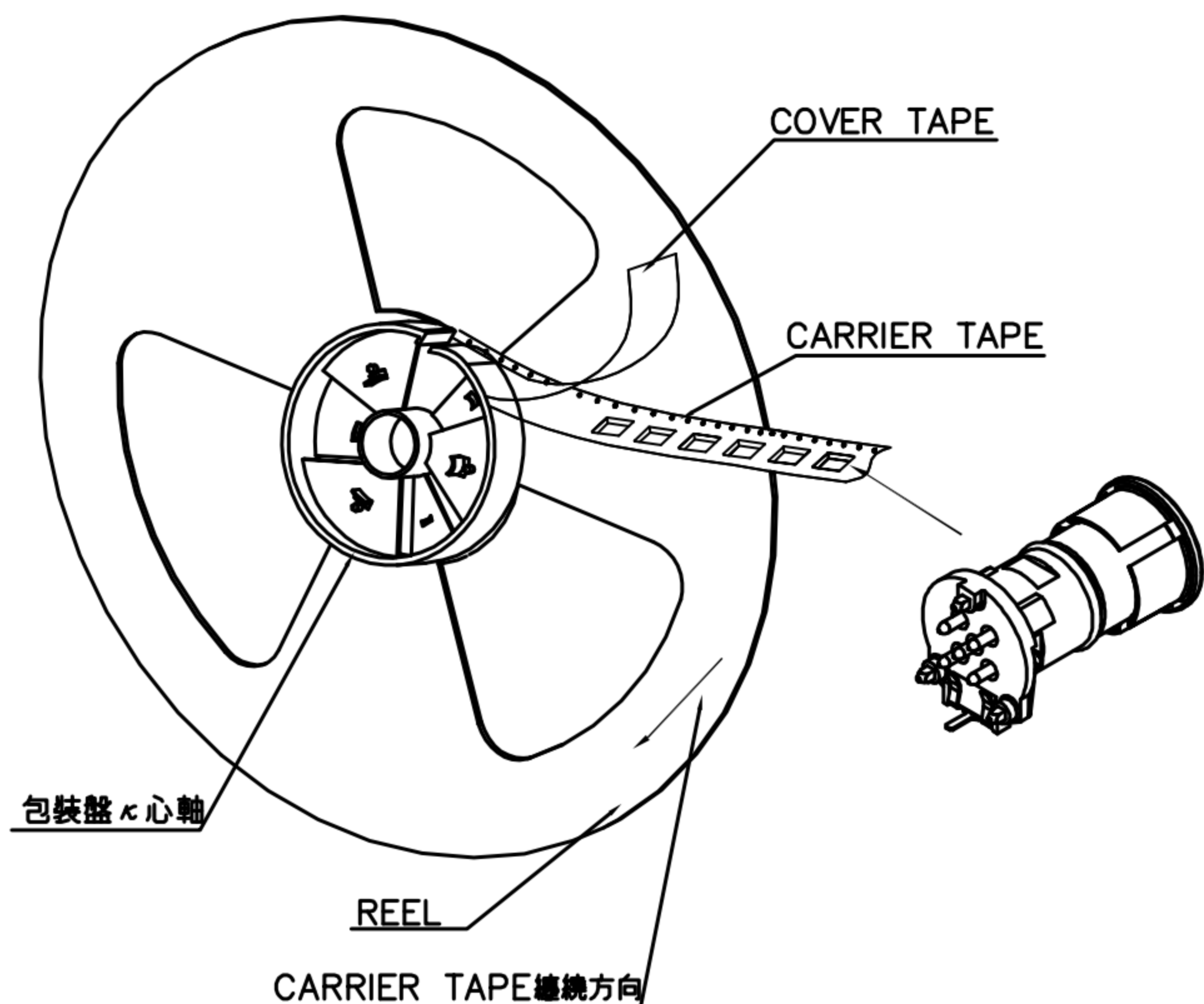
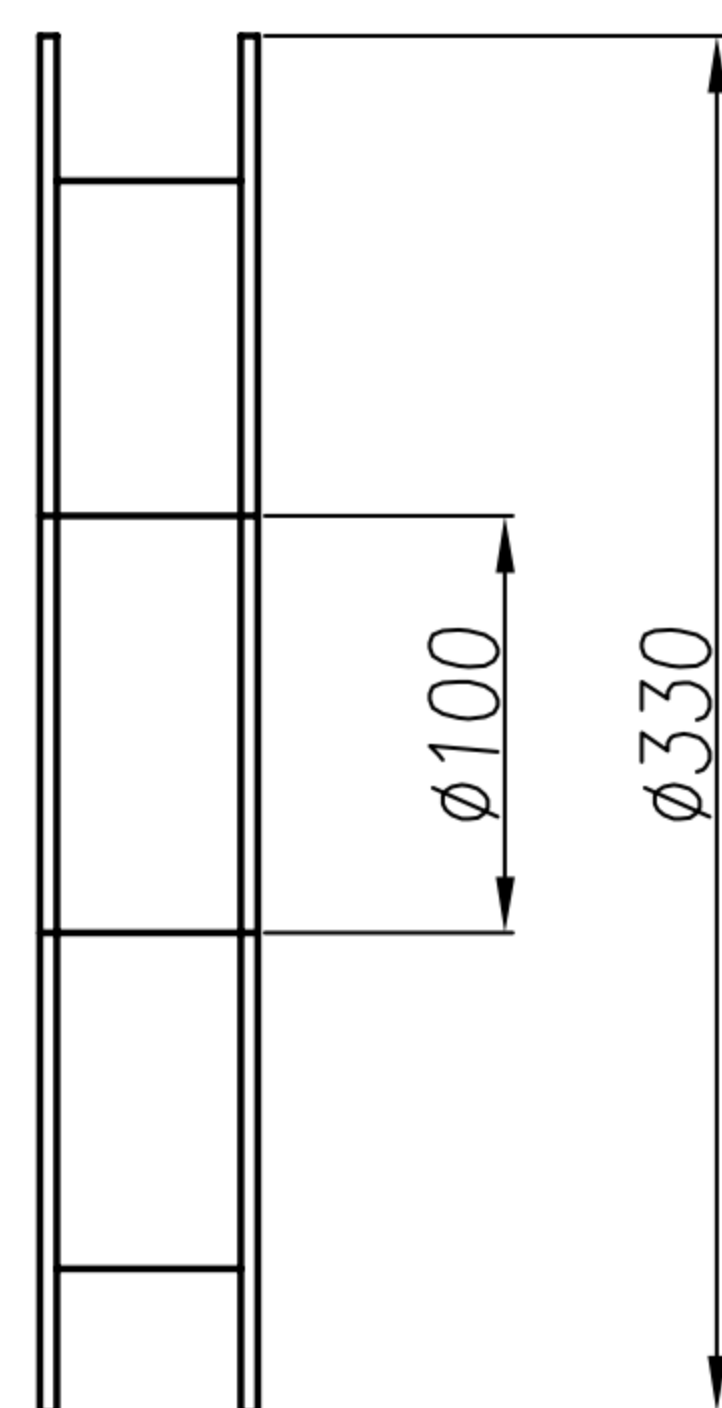
1. 將成品一一放入包裝盤內,依同一方向置入.
2. 包裝方式,如圖所示.
3. 一個包裝盤100pcs.(前後各留約10格)

步驟二:

1. 一個紙箱可以裝10個包裝盤.
2. 每盤100pcs,每箱1000pcs.
3. 將包裝盤放入防水袋中,包裝完後再封箱.

步驟三:

1. 用膠帶將紙箱封實.



NOTE:

1. 料帶尺寸符合(EIA-481-D)規範要求.
2. 若有未裝滿之零數箱,必須以緩衝材塞滿.
3. 在搬運過程中要輕拿輕放.
4. 載運輸中不可堆放過多,不可有重壓現象.
5. 上帶在貼下帶時必須平整.

| | | | | | | | | | | | | | | |
|-------|---------|-------|---------|-------|-----|--|--|--|----------|---|---------|---------|---------|---|
| DRAWN | LED | APP'D | Ku Chou | UNIT | mm | TOLERANCE | | | TITLE | WP M12 B-CODING (M) Two-piece (Straight shielded THR) | | | SHEET | 2 |
| CHK'D | Ku Chou | | | SCALE | 1:1 | .x ±0.20 .xx ±0.10 .xxx ±0.05 .xxxx ±0.03 ANGULA ±1° | | | PART NO. | SEE TABLE A | DWG NO. | QC10856 | VERSION | A |

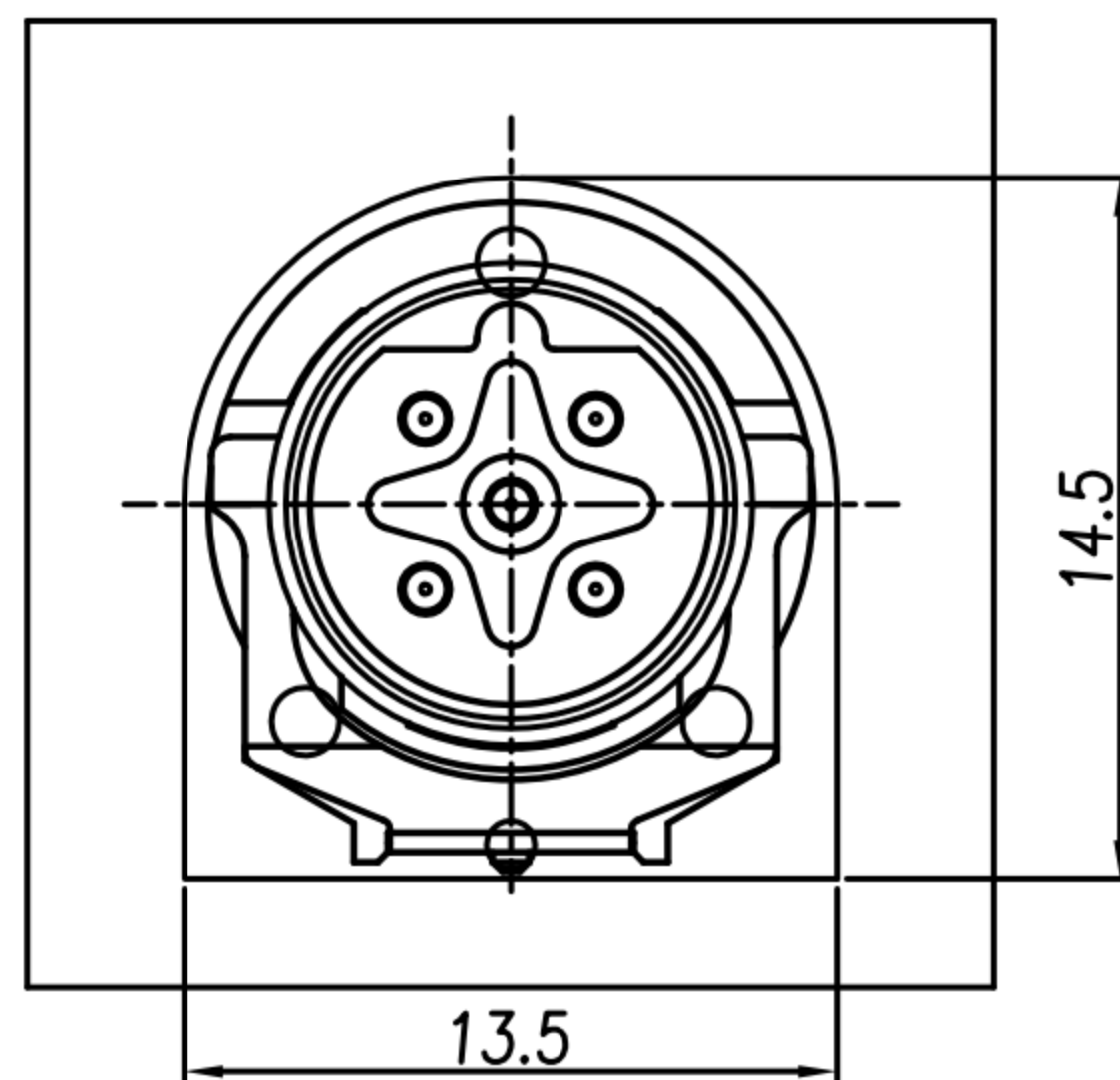
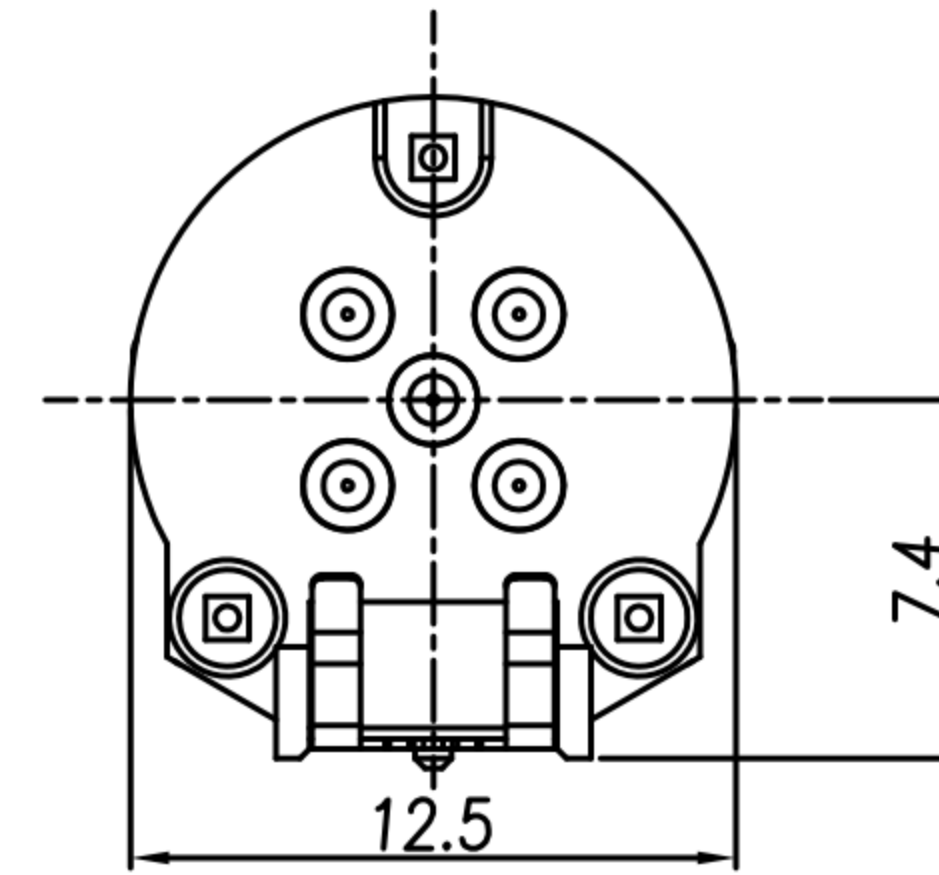
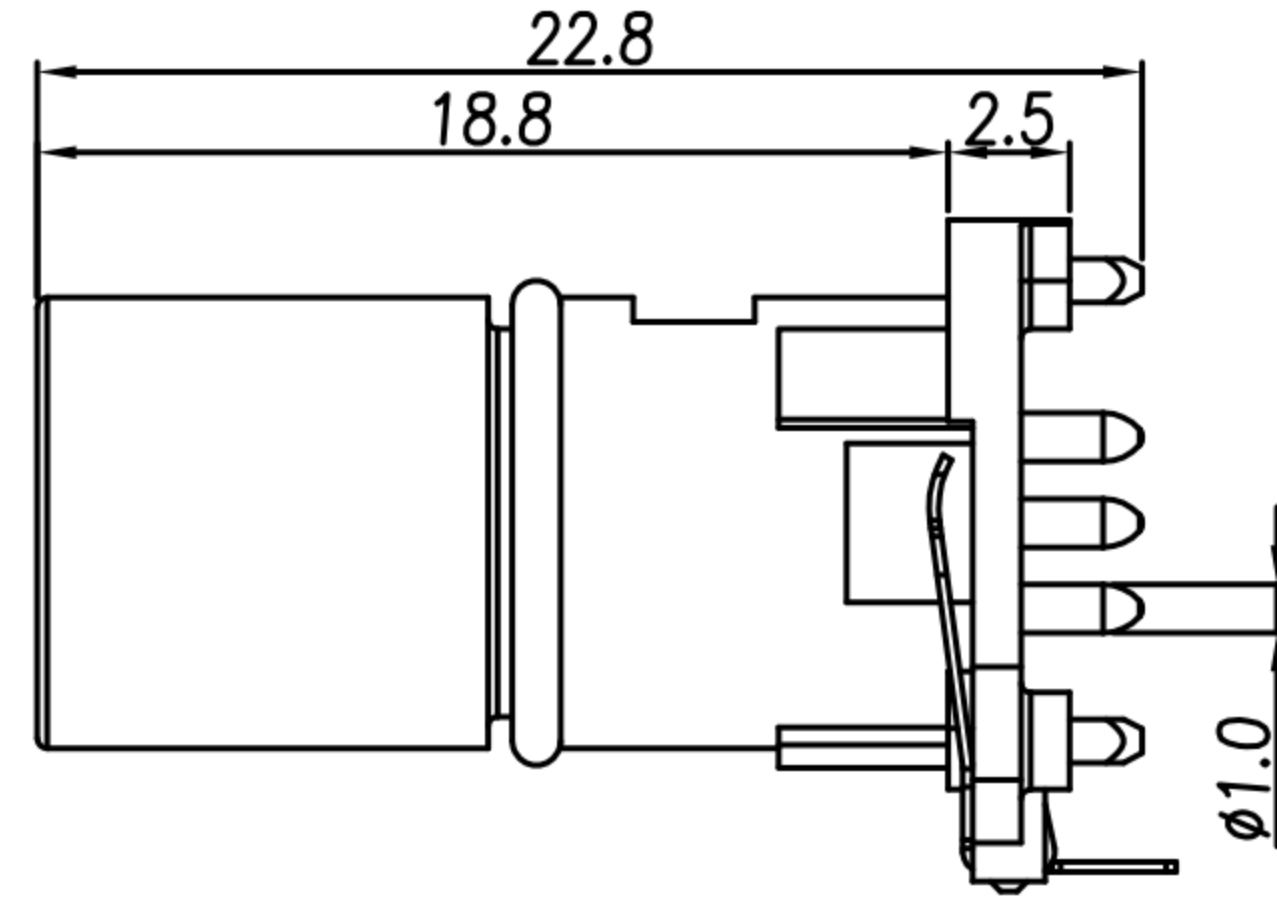
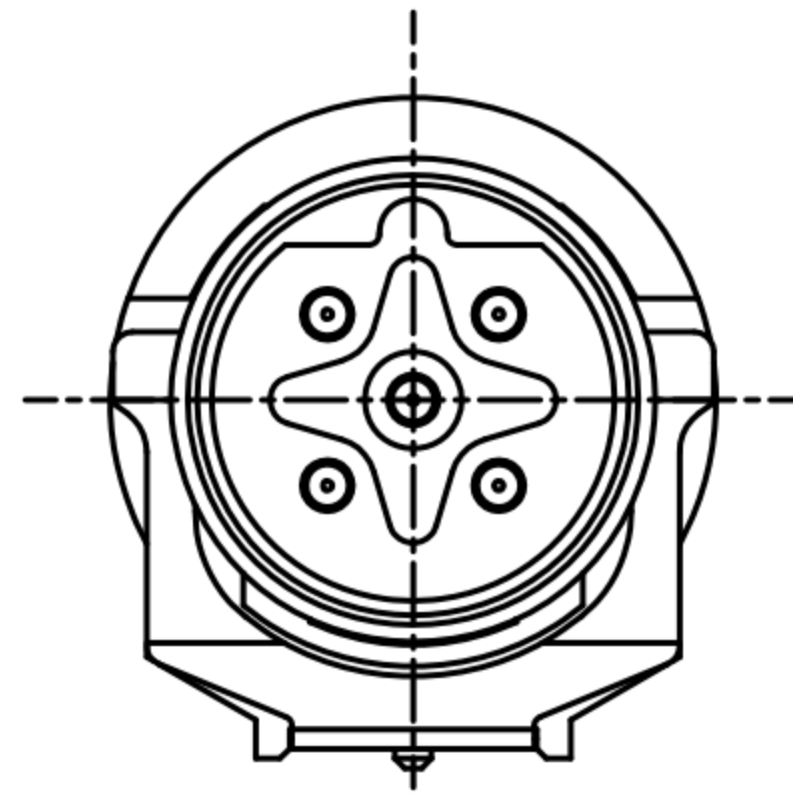
广东科斯达电子科技有限公司
GUANG DONG KE SI DA ELECTRONIC TECHNOLOGY CO., LTD.

CUSTOMER DRAWING

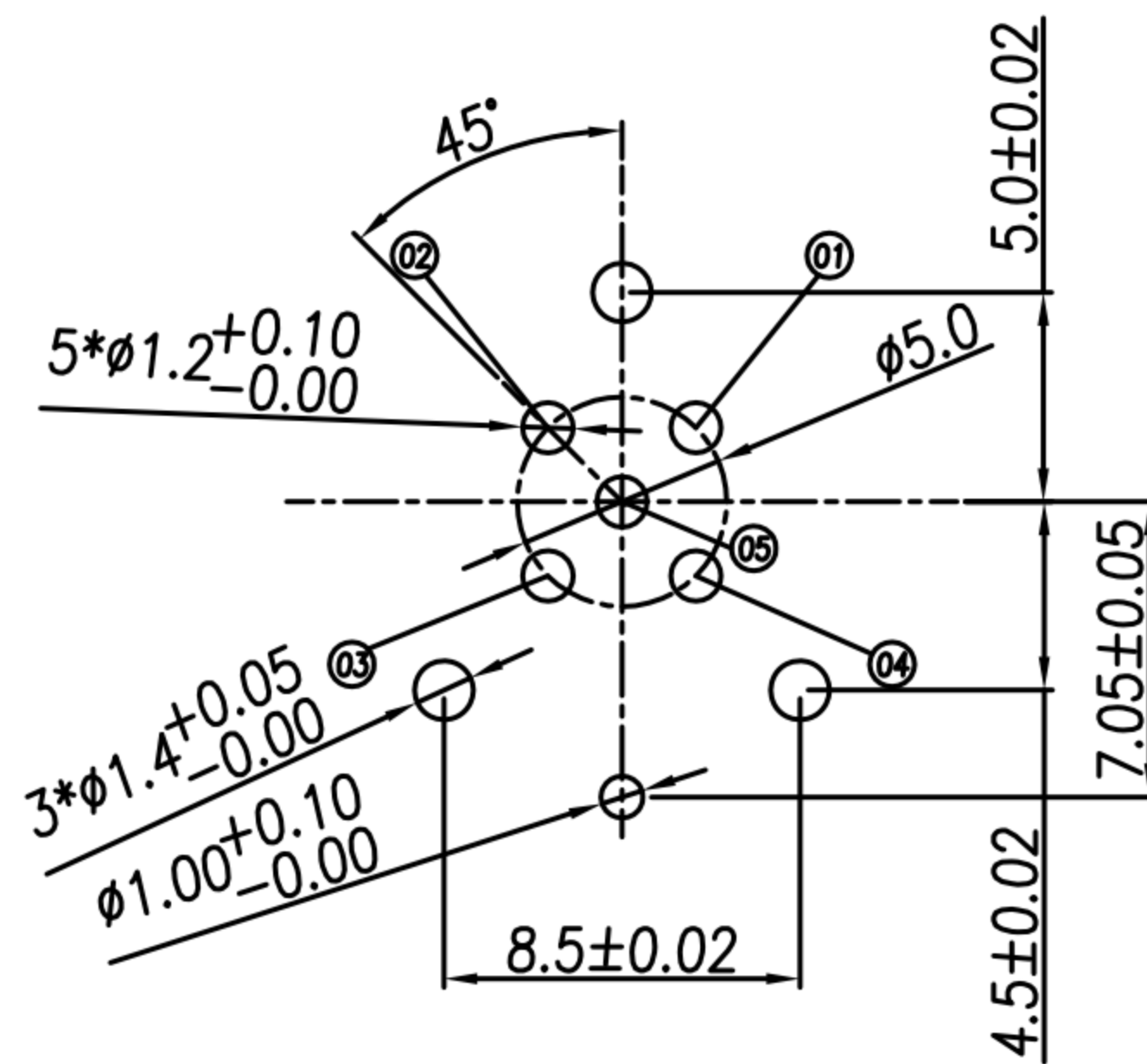
| REV. | DESCRIPTION | APPROVED BY | DATE | ECN NO. |
|------|-------------|-------------|-----------|---------|
| A | RELEASE | LED | 16/11/23' | |
| B | | | | |
| C | | | | |

TABLE A

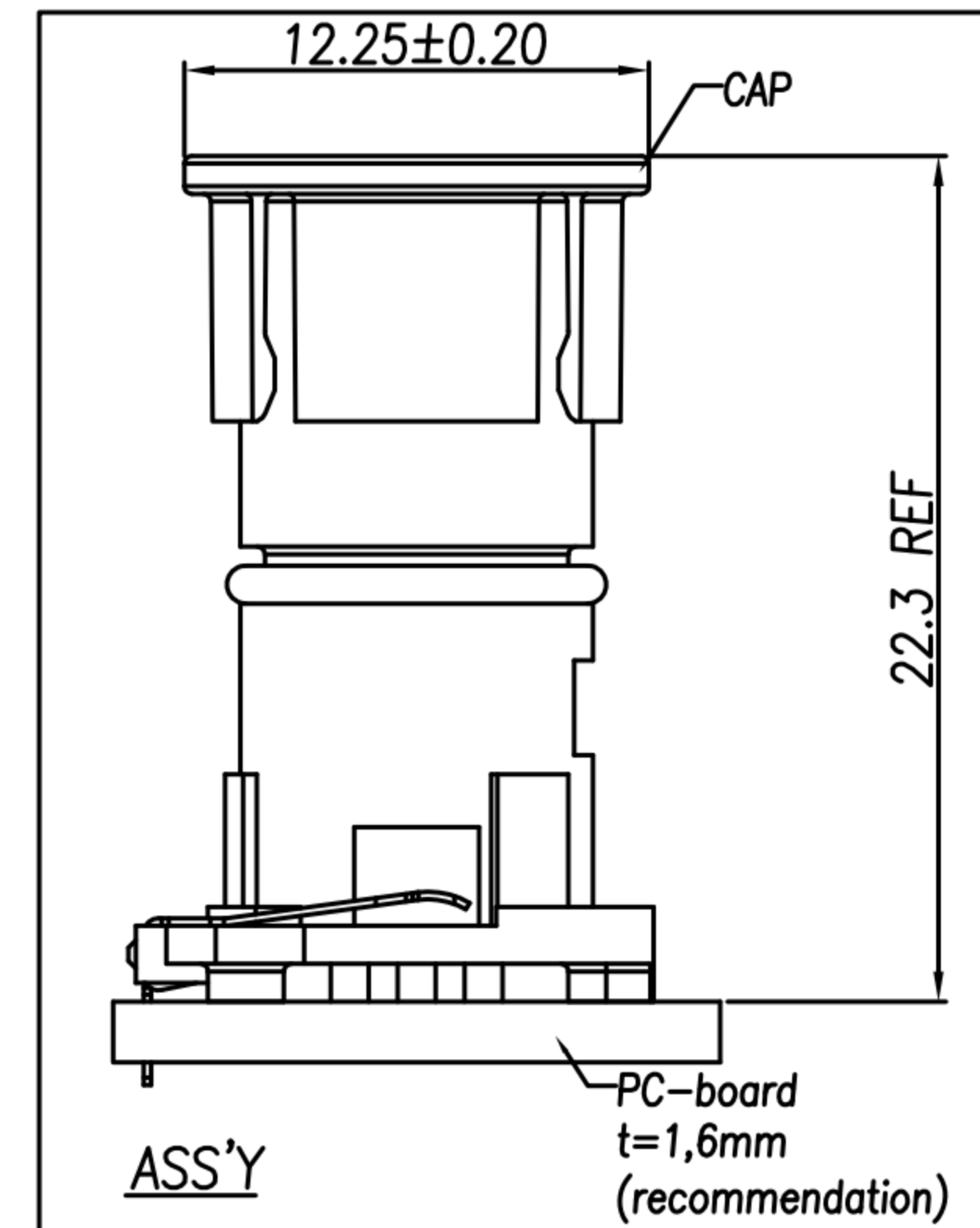
| | |
|---------------|---------------|
| | |
| WP-04M4-03-11 | WP-05M4-05-11 |



Component side (front view)
Recommended keepout area on the circuit board



RECOMMEND P.C.B



- MATERIAL :
 - 1-1. HOUSING : PA9T
 - 1-2. CONTACT : BRASS
 - 1-3. O-RING : VITON
 - 1-4. CAP : PA66
 - 1-5. SHIELD : PHOSPHOR BRONZE
- FINISH :
 - 2-1. CONTACT : GOLD FLASH PLATED.
 - 2-2. SHIELD : NICKEL PLATED.
- ELECTRICAL SPECIFICATION :
 - 3-1. Rated current : 4A
 - 3-2. Rated Voltage : 4PIN 250V ;5PIN 60V
 - 3-3. Water proof : IP67 (in mated condition)
- Environmental :
 - 4-1. Operation Temperature : -25℃~85℃

| | | | | | | | | | | | | | | | |
|-------|---------|-------|---------|-------|-----|---|--|--|--|----------|---|---------|---------|---------|-----|
| DRAWN | LED | APP'D | Ku Chou | UNIT | mm | TOLERANCE | | | 广东科斯达电子科技有限公司 GUANG DONG KE SI DA ELECTRONIC TECHNOLOGY CO., LTD. | TITLE | WP M12 B-CODING (M) Two-piece (Straight shielded THR) | | | SHEET | 1/2 |
| CHK'D | Ku Chou | | | SCALE | 1:1 | .x ±0.20 .xx ±0.10 .xxx ±0.05 .xxxx ±0.03 ANGULAR ±1° | | | | PART NO. | SEE TABLE A | DWG NO. | QC10856 | VERSION | A |